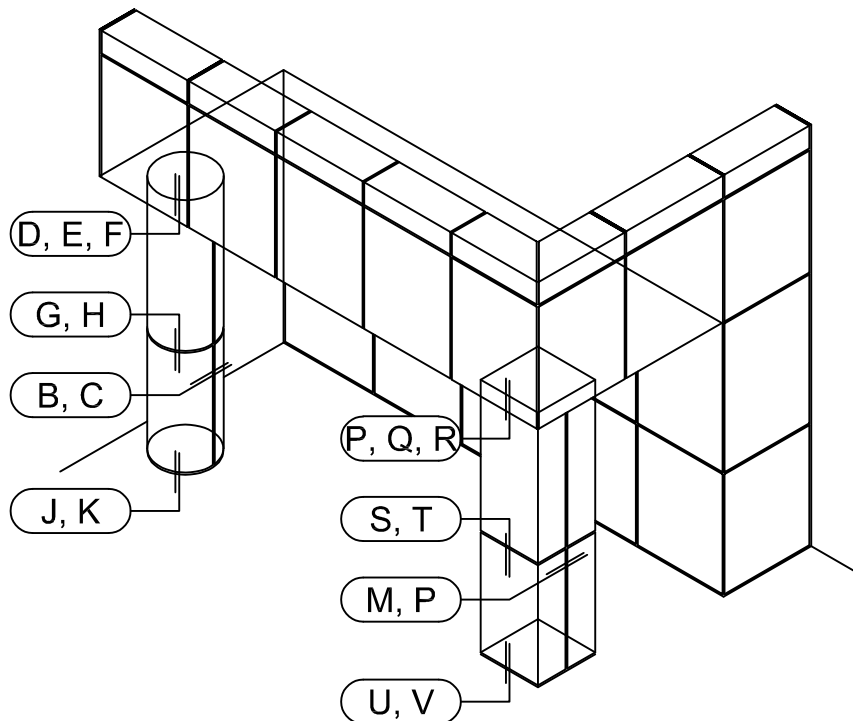


COMPOSITE COLUMN COVER (REVEAL JOINT)

NOTE:

LOAD BEARING WALL COMPONENTS OF EITHER: 16GA STEEL STUDS, STRUCTURAL MEMBERS, MINIMUM 5/8" PLYWOOD OR CONCRETE. GYPSUM BOARD AND CEMENT BOARD ARE NOT A STRUCTURAL COMPONENT.

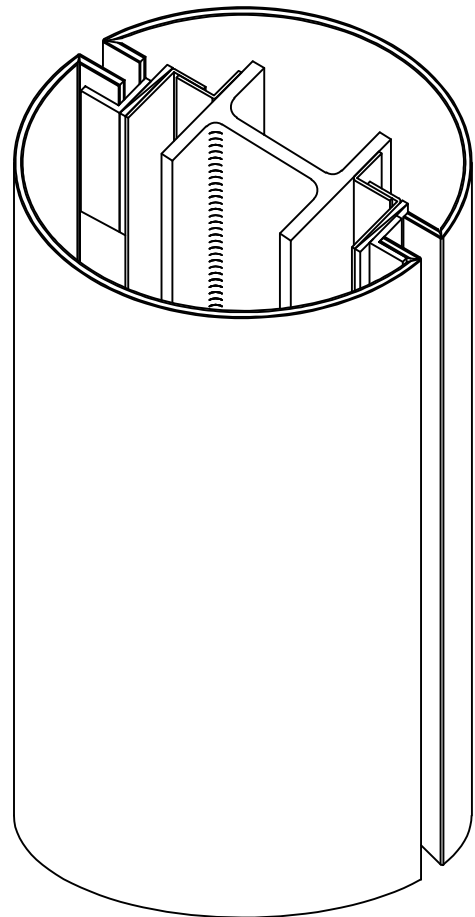
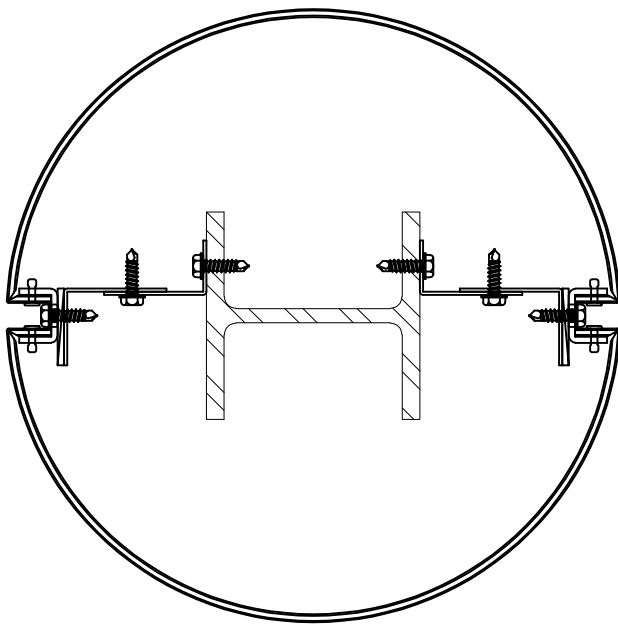


- | | |
|--|---|
| (A) RADIUSED - ISOMETRIC | (L) RECTANGULAR - ISOMETRIC |
| (B) RADIUSED - VERTICAL DETAIL (1) | (M) RECTANGULAR - VERTICAL DETAIL (1) |
| (C) RADIUSED - VERTICAL DETAIL (2) | (N) RECTANGULAR - VERTICAL DETAIL (2) |
| (D) RADIUSED - HEAD DETAIL (1) | (P) RECTANGULAR - HEAD DETAIL (1) |
| (E) RADIUSED - HEAD DETAIL (2) | (Q) RECTANGULAR - HEAD DETAIL (2) |
| (F) RADIUSED - HEAD DETAIL (3) | (R) RECTANGULAR - HEAD DETAIL (3) |
| (G) RADIUSED - INTERMEDIATE DETAIL (1) | (S) RECTANGULAR - INTERMEDIATE DETAIL (1) |
| (H) RADIUSED - INTERMEDIATE DETAIL (2) | (T) RECTANGULAR - INTERMEDIATE DETAIL (2) |
| (J) RADIUSED - BASE DETAIL (1) | (U) RECTANGULAR - BASE DETAIL (1) |
| (K) RADIUSED - BASE DETAIL (2) | (V) RECTANGULAR - BASE DETAIL (2) |
| | (W) INSTALLATION GUIDE |

" Composite Product Is Not Recommended In High Traffic Areas. Recommended Product With A Higher Impact Strength Would Be The Americlad AC-10P Manufactured Out of .125" Thick Aluminum Plate "

RADIUSED - ISOMETRIC**DETAIL A****NOTE:**

LOAD BEARING WALL COMPONENTS OF EITHER: 16GA STEEL STUDS, STRUCTURAL MEMBERS, MINIMUM 5/8" PLYWOOD OR CONCRETE. GYPSUM BOARD AND CEMENT BOARD ARE NOT A STRUCTURAL COMPONENT.



MINIMUM RADIUS (5 1/2") MAX LENGTH PER PANEL (16'-0")

COPYRIGHT AMERICLAD, LLC

21925 Industrial Boulevard · Rogers, Minnesota · Toll-Free: 1-866-260-4047 · americlad.com

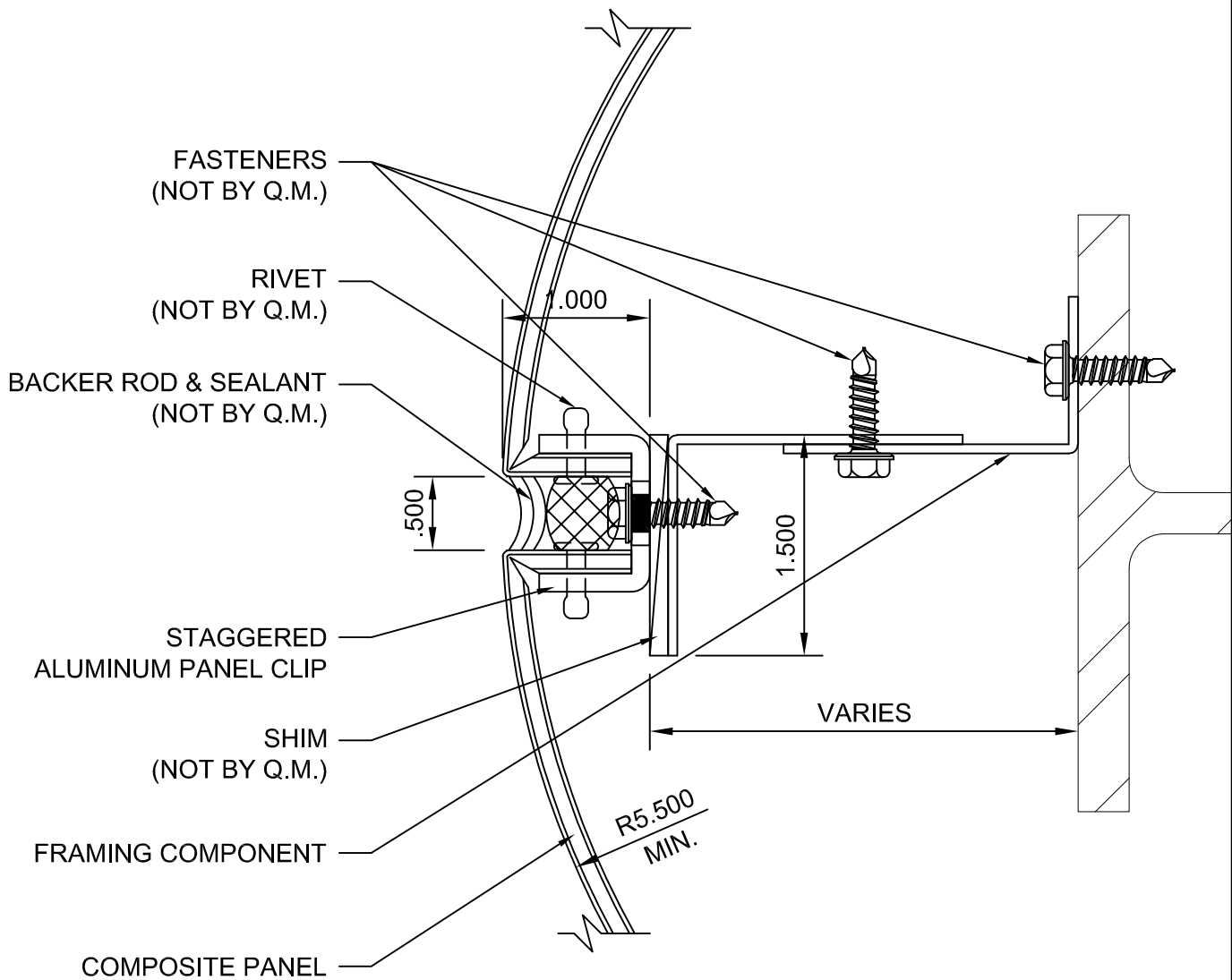
Architectural Metal Products

RADIUSED - VERTICAL DETAIL (1)

DETAIL B

NOTE:

LOAD BEARING WALL COMPONENTS OF EITHER: 16GA STEEL STUDS, STRUCTURAL MEMBERS, MINIMUM 5/8" PLYWOOD OR CONCRETE. GYPSUM BOARD AND CEMENT BOARD ARE NOT A STRUCTURAL COMPONENT.

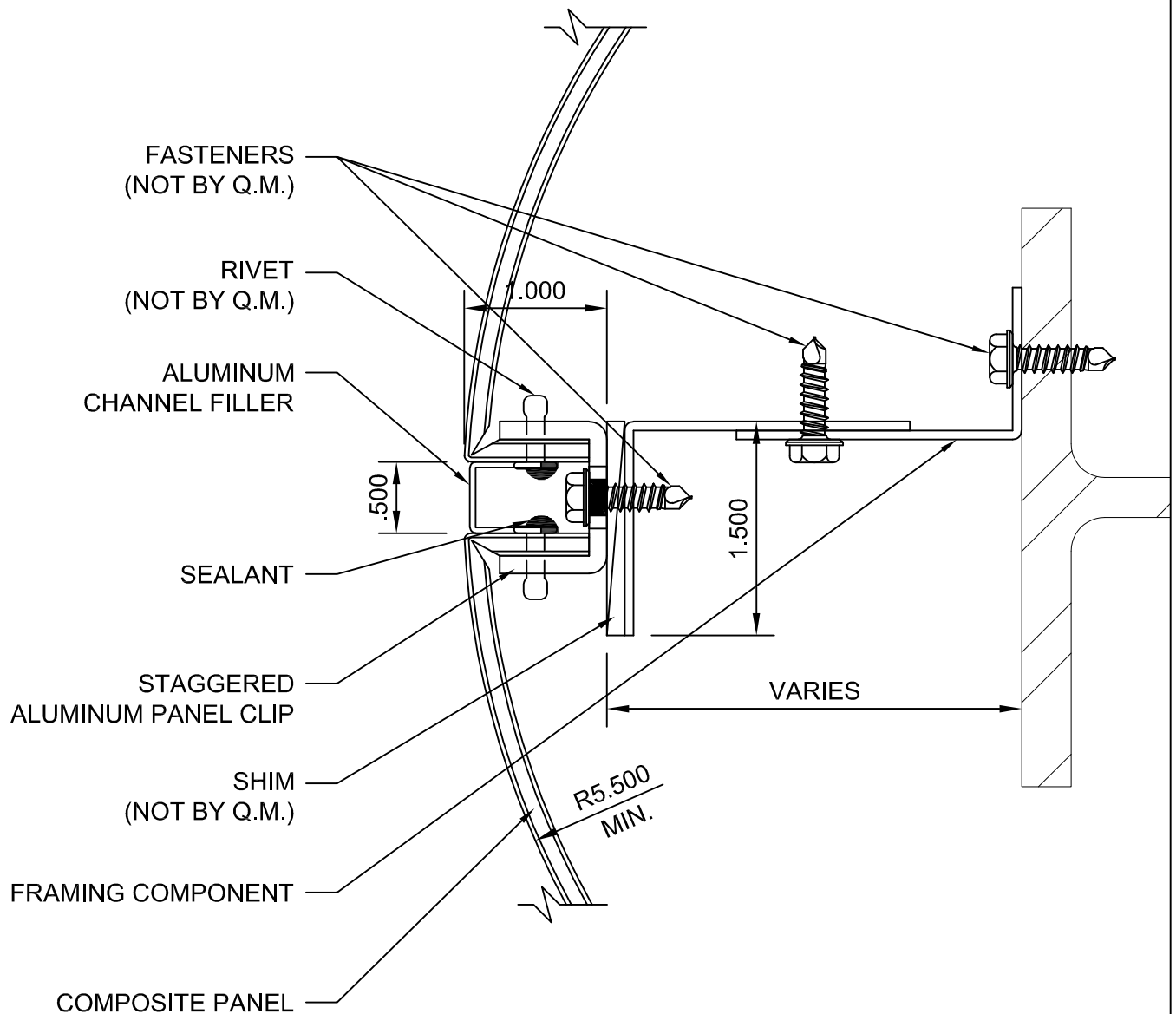


RADIUSED - VERTICAL DETAIL (2)

DETAIL C

NOTE:

LOAD BEARING WALL COMPONENTS OF EITHER: 16GA STEEL STUDS, STRUCTURAL MEMBERS, MINIMUM 5/8" PLYWOOD OR CONCRETE. GYPSUM BOARD AND CEMENT BOARD ARE NOT A STRUCTURAL COMPONENT.

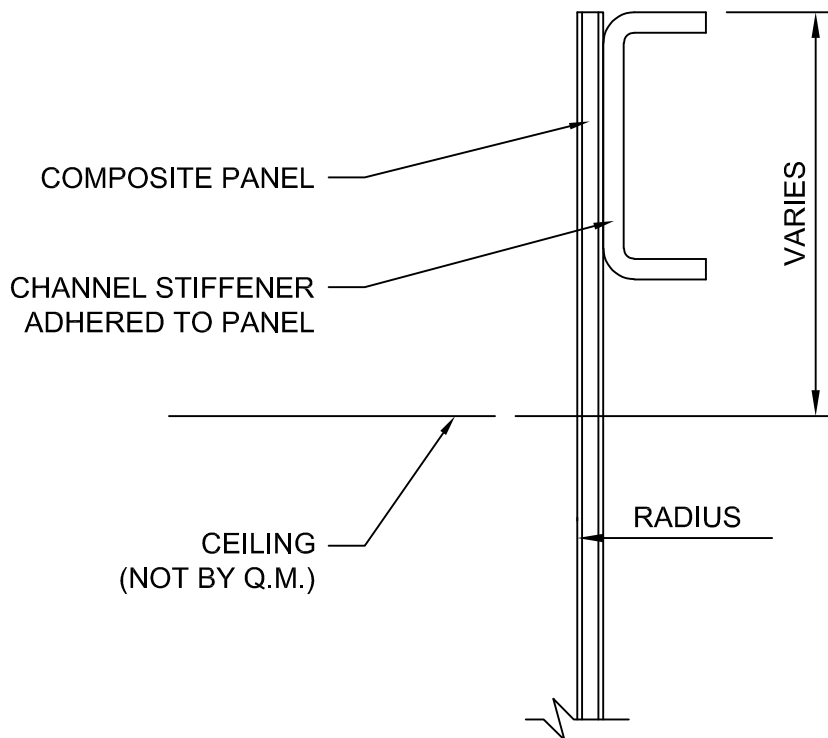


RADIUSED - HEAD DETAIL (1)

DETAIL D

NOTE:

LOAD BEARING WALL COMPONENTS OF EITHER: 16GA STEEL STUDS, STRUCTURAL MEMBERS, MINIMUM 5/8" PLYWOOD OR CONCRETE. GYPSUM BOARD AND CEMENT BOARD ARE NOT A STRUCTURAL COMPONENT.

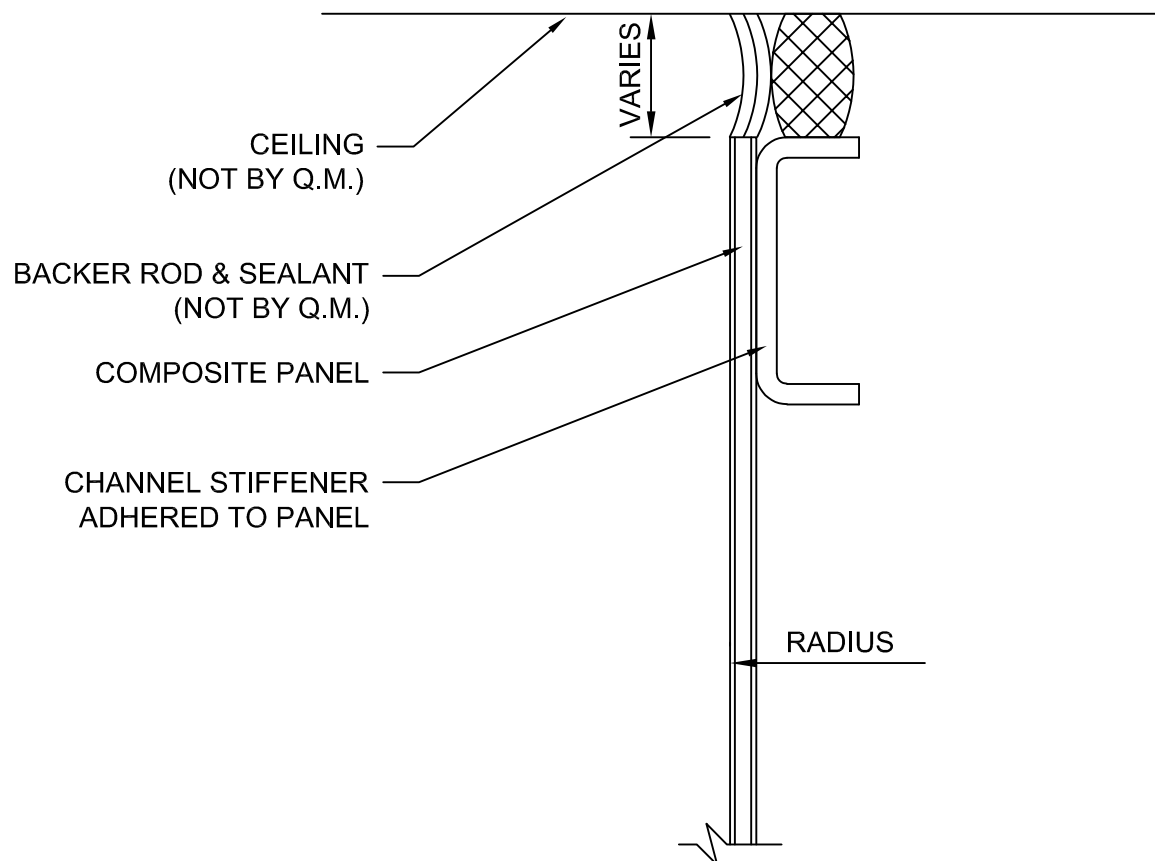


RADIUSED - HEAD DETAIL (2)

DETAIL E

NOTE:

LOAD BEARING WALL COMPONENTS OF EITHER: 16GA STEEL STUDS, STRUCTURAL MEMBERS, MINIMUM 5/8" PLYWOOD OR CONCRETE. GYPSUM BOARD AND CEMENT BOARD ARE NOT A STRUCTURAL COMPONENT.



BACKER ROD & SEALANT (OPTIONAL)

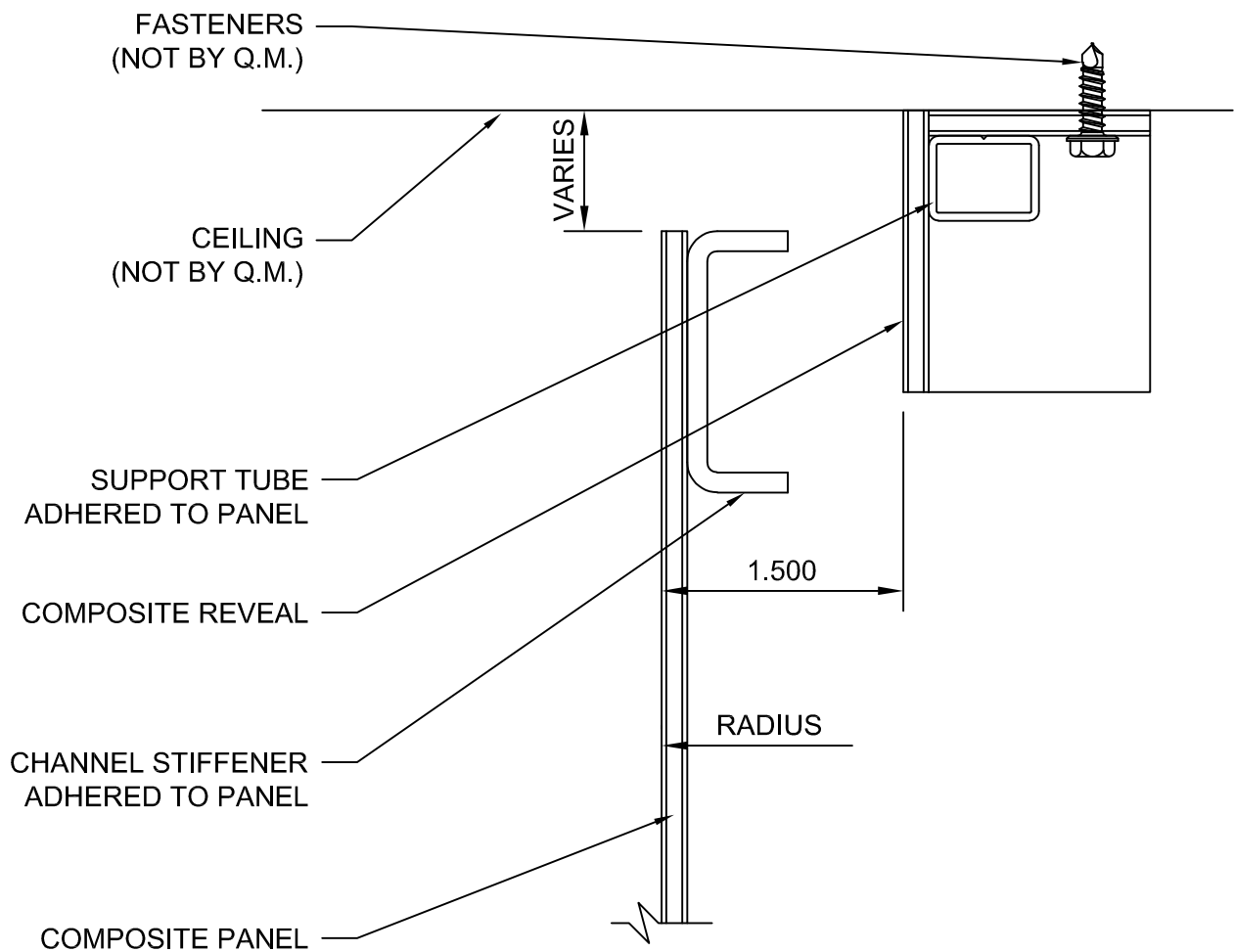
COPYRIGHT AMERICLAD, LLC

RADIUSED - HEAD DETAIL (3)

DETAIL F

NOTE:

LOAD BEARING WALL COMPONENTS OF EITHER: 16GA STEEL STUDS, STRUCTURAL MEMBERS, MINIMUM 5/8" PLYWOOD OR CONCRETE. GYPSUM BOARD AND CEMENT BOARD ARE NOT A STRUCTURAL COMPONENT.

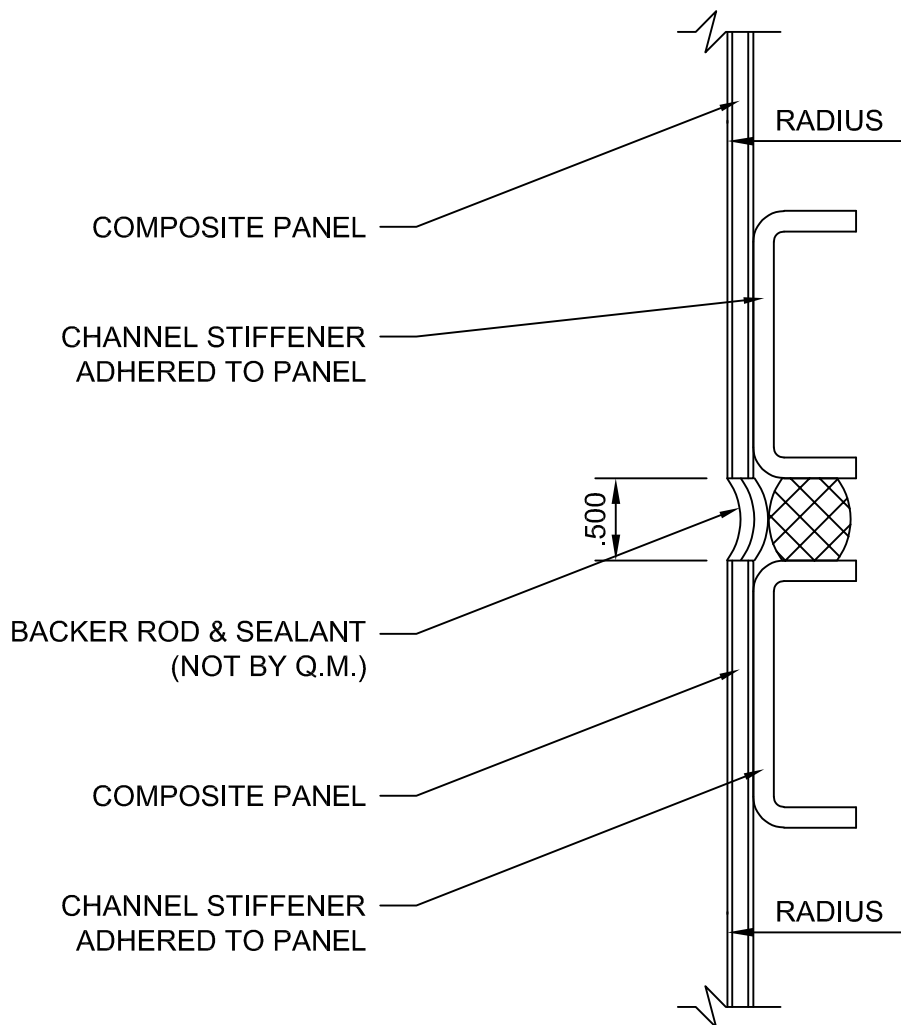


RADIUSED - INTERMEDIATE DETAIL (1)

DETAIL G

NOTE:

LOAD BEARING WALL COMPONENTS OF EITHER: 16GA STEEL STUDS, STRUCTURAL MEMBERS, MINIMUM 5/8" PLYWOOD OR CONCRETE. GYPSUM BOARD AND CEMENT BOARD ARE NOT A STRUCTURAL COMPONENT.

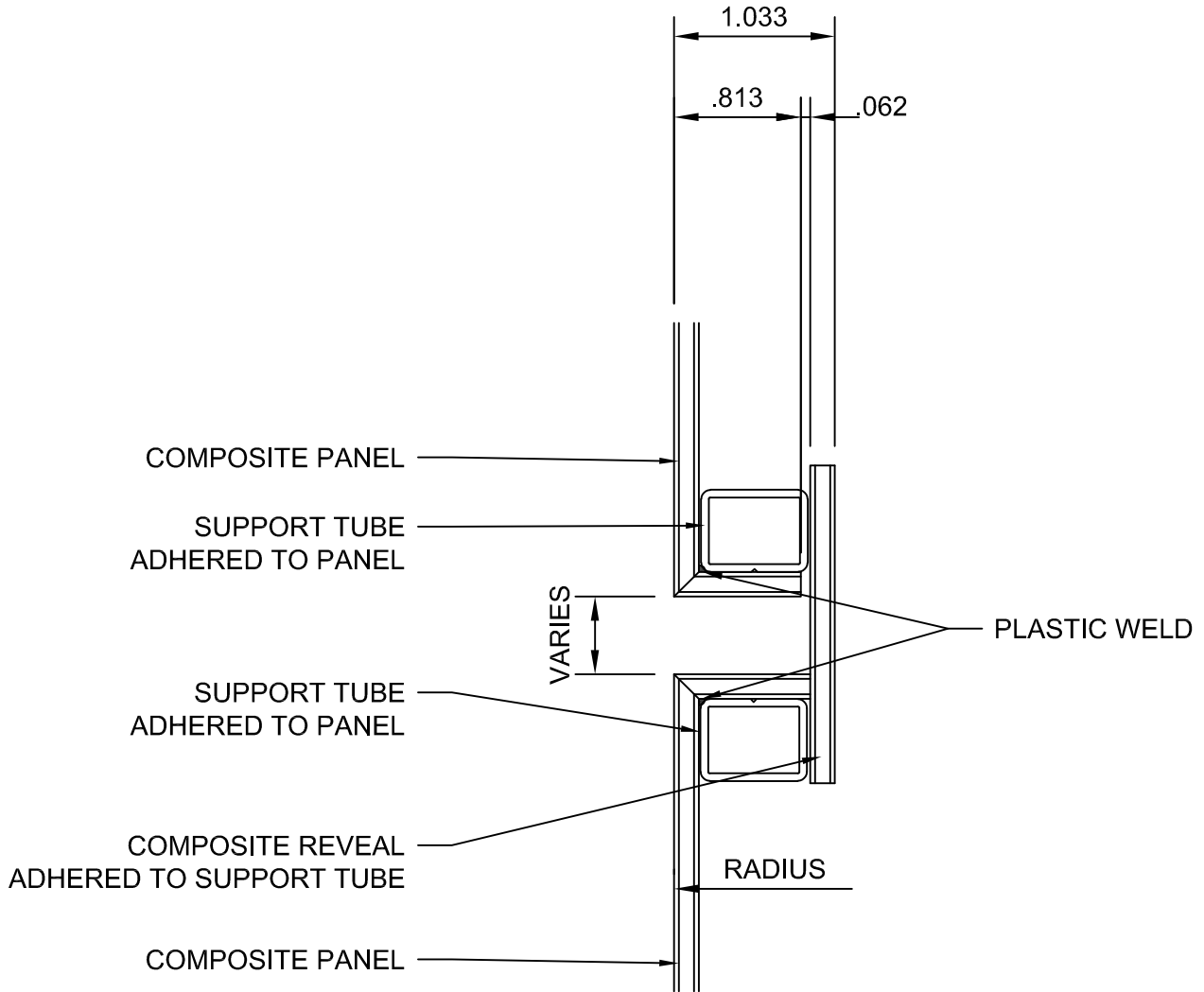


RADIUSED - INTERMEDIATE DETAIL (2)

DETAIL H

NOTE:

LOAD BEARING WALL COMPONENTS OF EITHER: 16GA STEEL STUDS, STRUCTURAL MEMBERS, MINIMUM 5/8" PLYWOOD OR CONCRETE. GYPSUM BOARD AND CEMENT BOARD ARE NOT A STRUCTURAL COMPONENT.

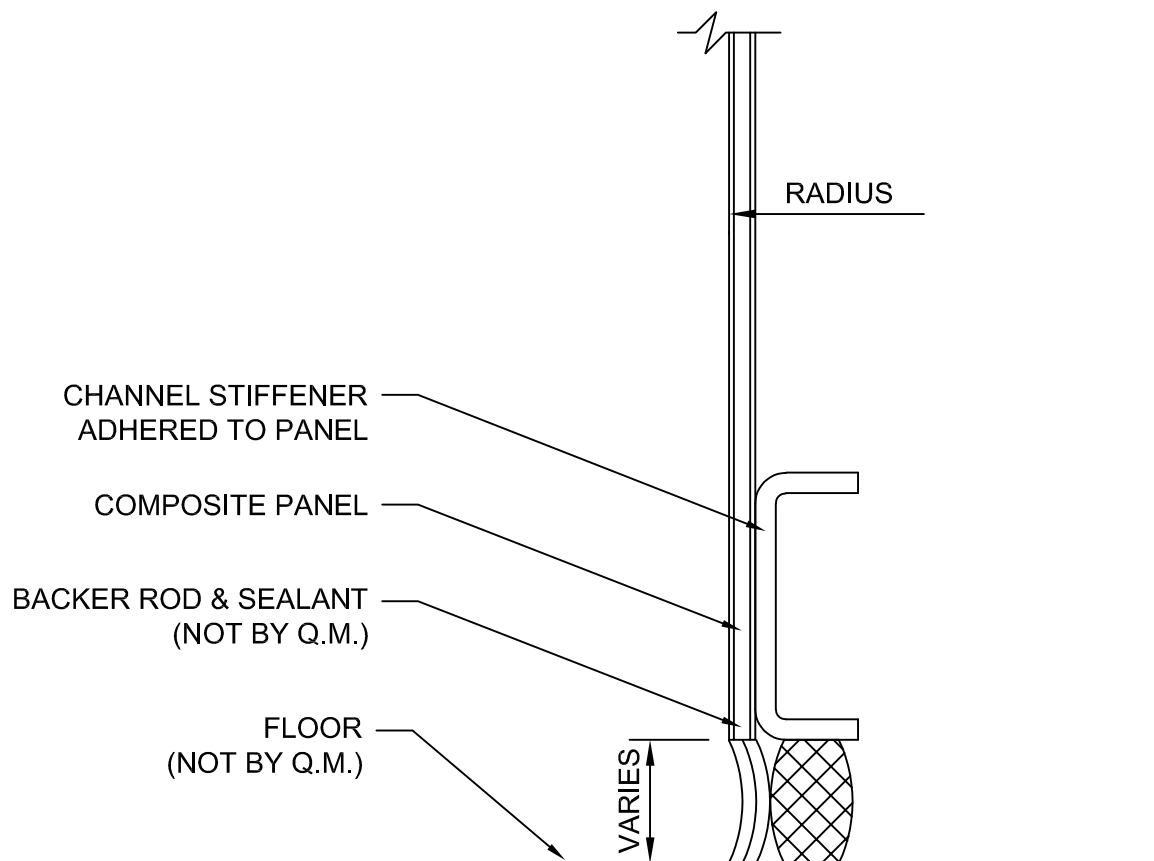


RADIUSED - BASE DETAIL (1)

DETAIL J

NOTE:

LOAD BEARING WALL COMPONENTS OF EITHER: 16GA STEEL STUDS, STRUCTURAL MEMBERS, MINIMUM 5/8" PLYWOOD OR CONCRETE. GYPSUM BOARD AND CEMENT BOARD ARE NOT A STRUCTURAL COMPONENT.

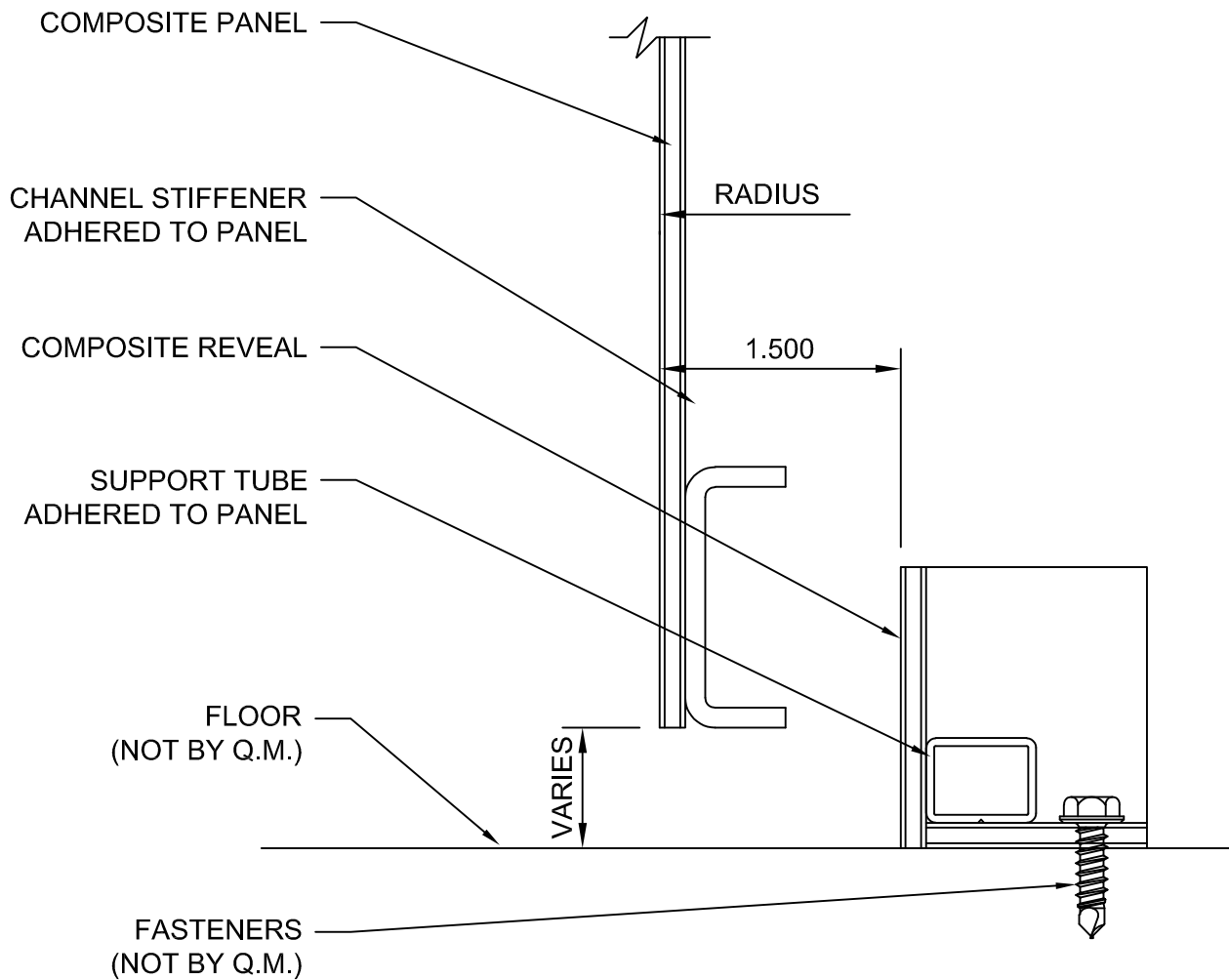


RADIUSED - BASE DETAIL (2)

DETAIL K

NOTE:

LOAD BEARING WALL COMPONENTS OF EITHER: 16GA STEEL STUDS, STRUCTURAL MEMBERS, MINIMUM 5/8" PLYWOOD OR CONCRETE. GYPSUM BOARD AND CEMENT BOARD ARE NOT A STRUCTURAL COMPONENT.

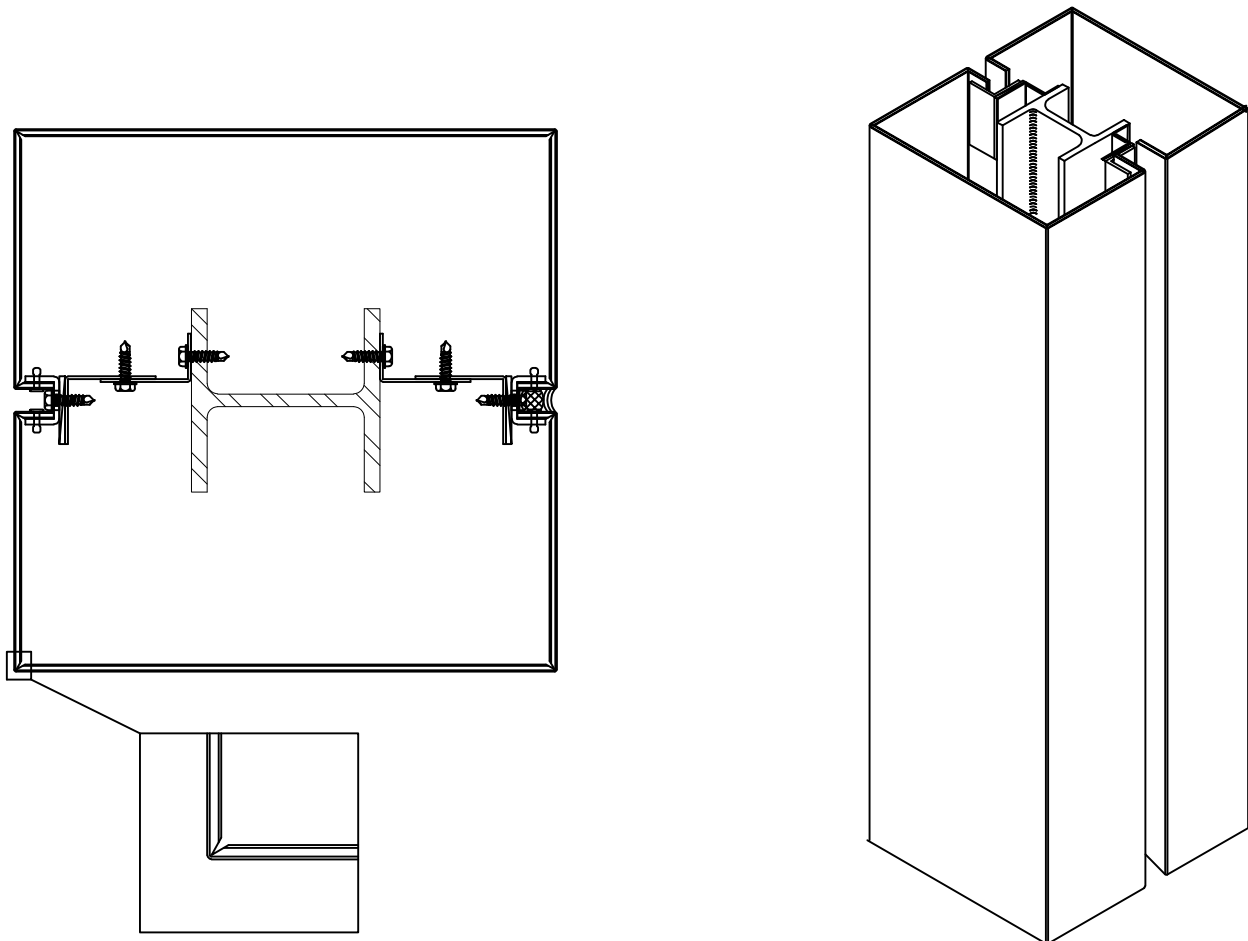


RECTANGULAR - ISOMETRIC

DETAIL L

NOTE:

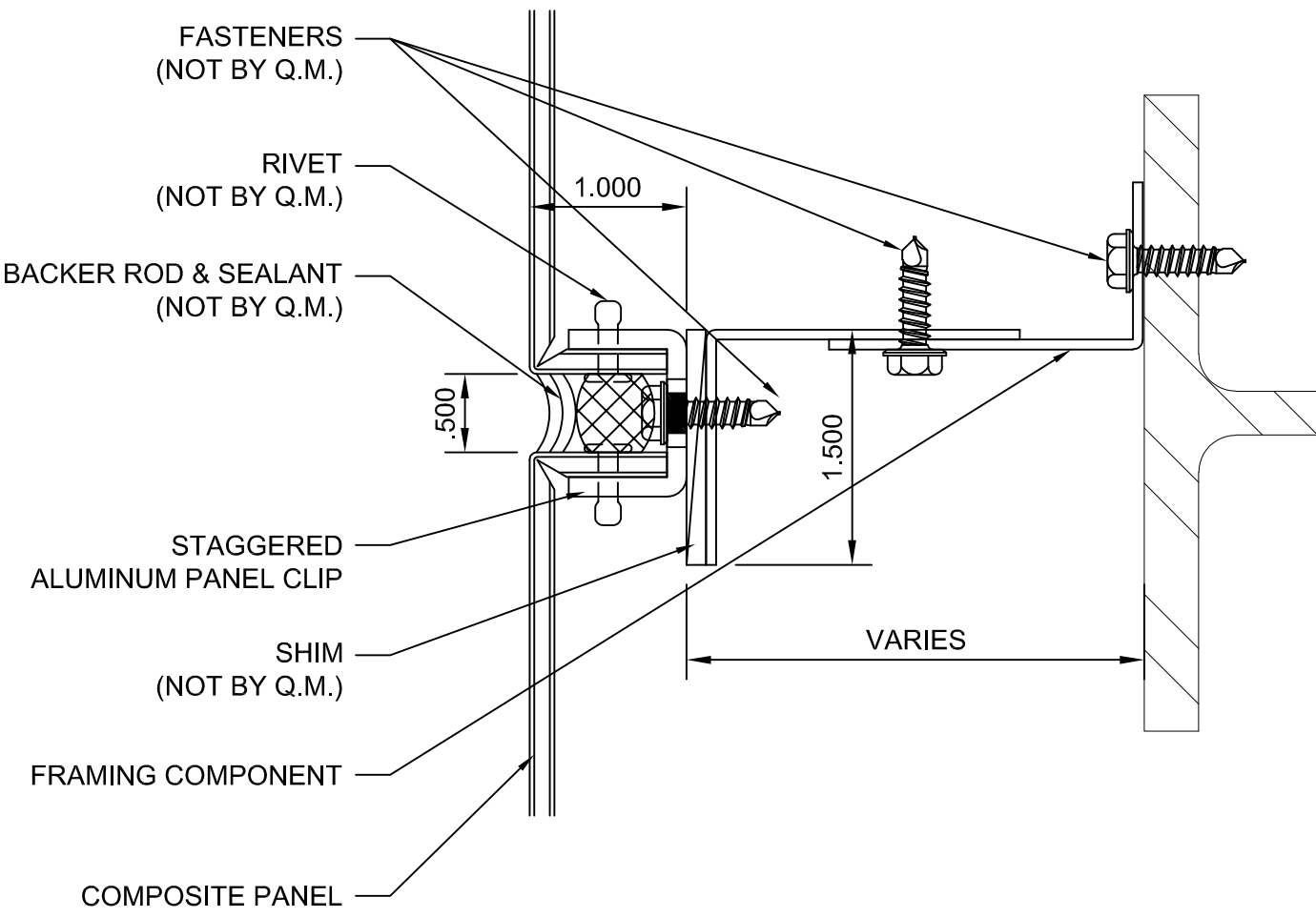
LOAD BEARING WALL COMPONENTS OF EITHER: 16GA STEEL STUDS, STRUCTURAL MEMBERS, MINIMUM 5/8" PLYWOOD OR CONCRETE. GYPSUM BOARD AND CEMENT BOARD ARE NOT A STRUCTURAL COMPONENT.



RECTANGULAR - VERTICAL DETAIL (1)

DETAIL M

NOTE:
LOAD BEARING WALL COMPONENTS OF EITHER: 16GA STEEL STUDS, STRUCTURAL MEMBERS, MINIMUM 5/8" PLYWOOD OR CONCRETE. GYPSUM BOARD AND CEMENT BOARD ARE NOT A STRUCTURAL COMPONENT.

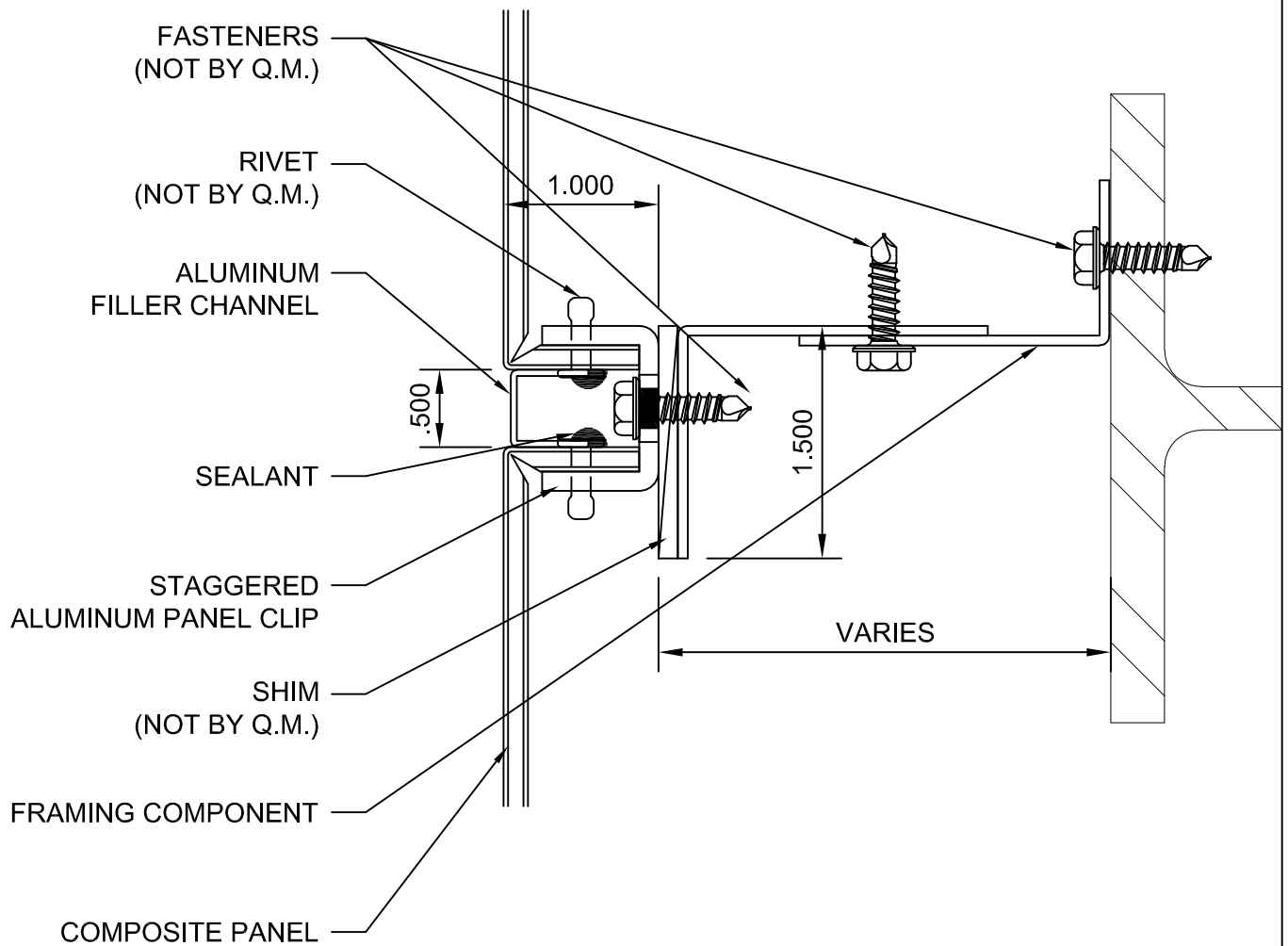


RECTANGULAR - VERTICAL DETAIL (2)

DETAIL N

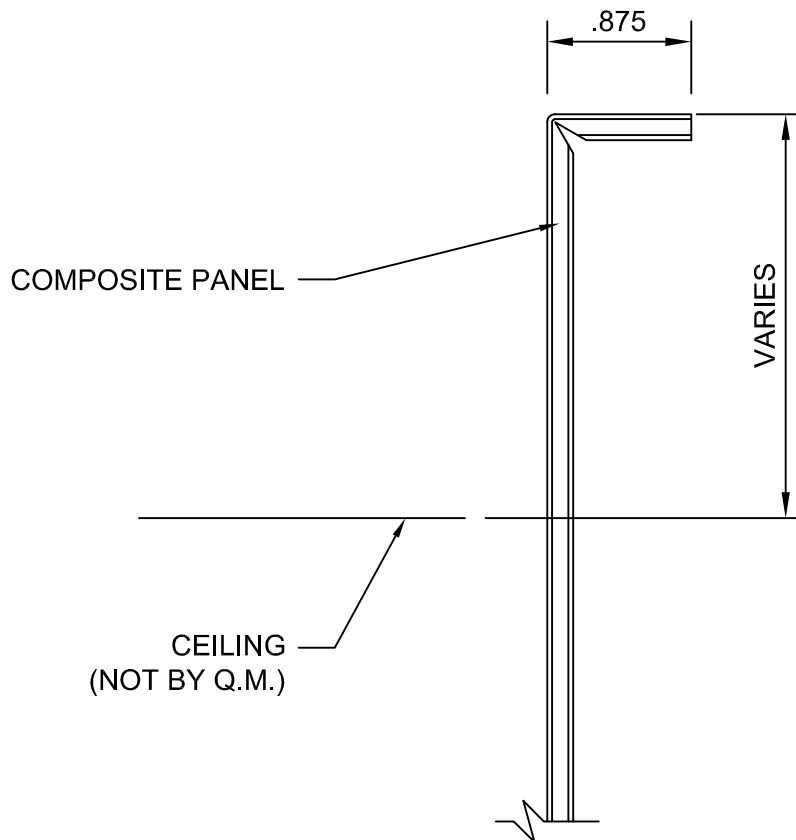
NOTE:

LOAD BEARING WALL COMPONENTS OF EITHER: 16GA STEEL STUDS, STRUCTURAL MEMBERS, MINIMUM 5/8" PLYWOOD OR CONCRETE. GYPSUM BOARD AND CEMENT BOARD ARE NOT A STRUCTURAL COMPONENT.



RECTANGULAR - HEAD DETAIL (1)**DETAIL P****NOTE:**

LOAD BEARING WALL COMPONENTS OF EITHER: 16GA STEEL STUDS, STRUCTURAL MEMBERS, MINIMUM 5/8" PLYWOOD OR CONCRETE. GYPSUM BOARD AND CEMENT BOARD ARE NOT A STRUCTURAL COMPONENT.

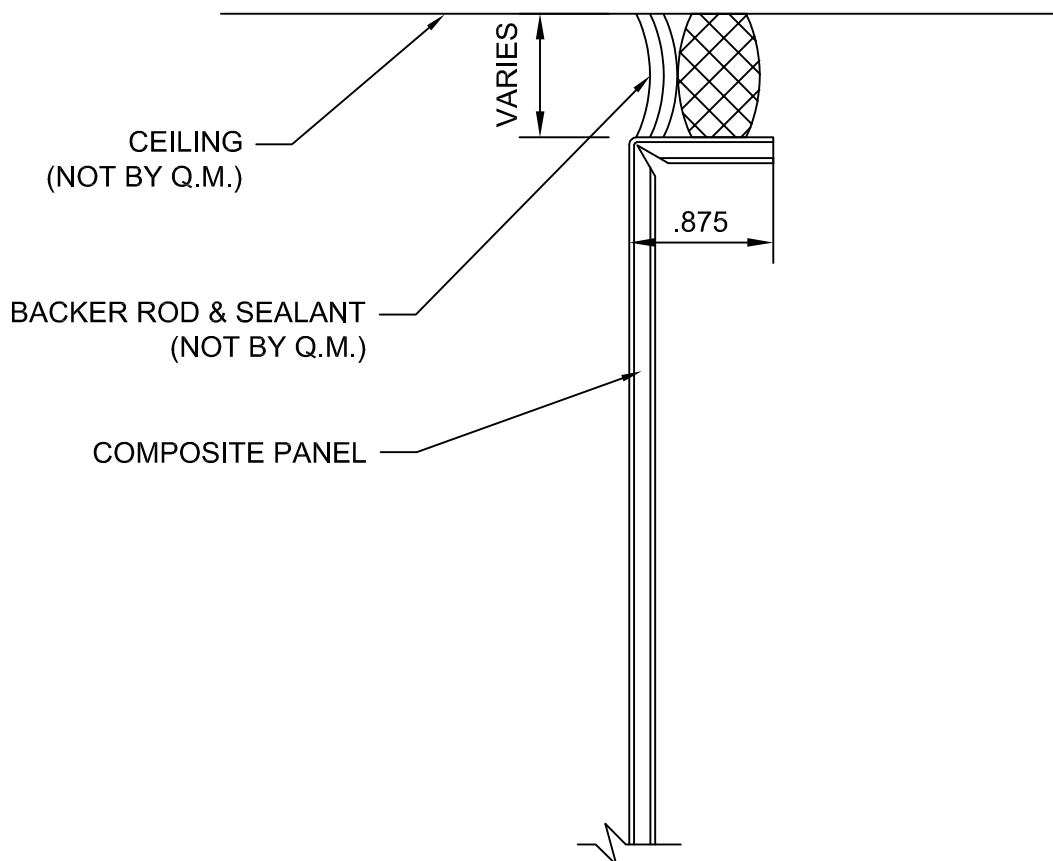


RECTANGULAR - HEAD DETAIL (2)

DETAIL Q

NOTE:

LOAD BEARING WALL COMPONENTS OF EITHER: 16GA STEEL STUDS, STRUCTURAL MEMBERS, MINIMUM 5/8" PLYWOOD OR CONCRETE. GYPSUM BOARD AND CEMENT BOARD ARE NOT A STRUCTURAL COMPONENT.



BACKER ROD & SEALANT (OPTIONAL)

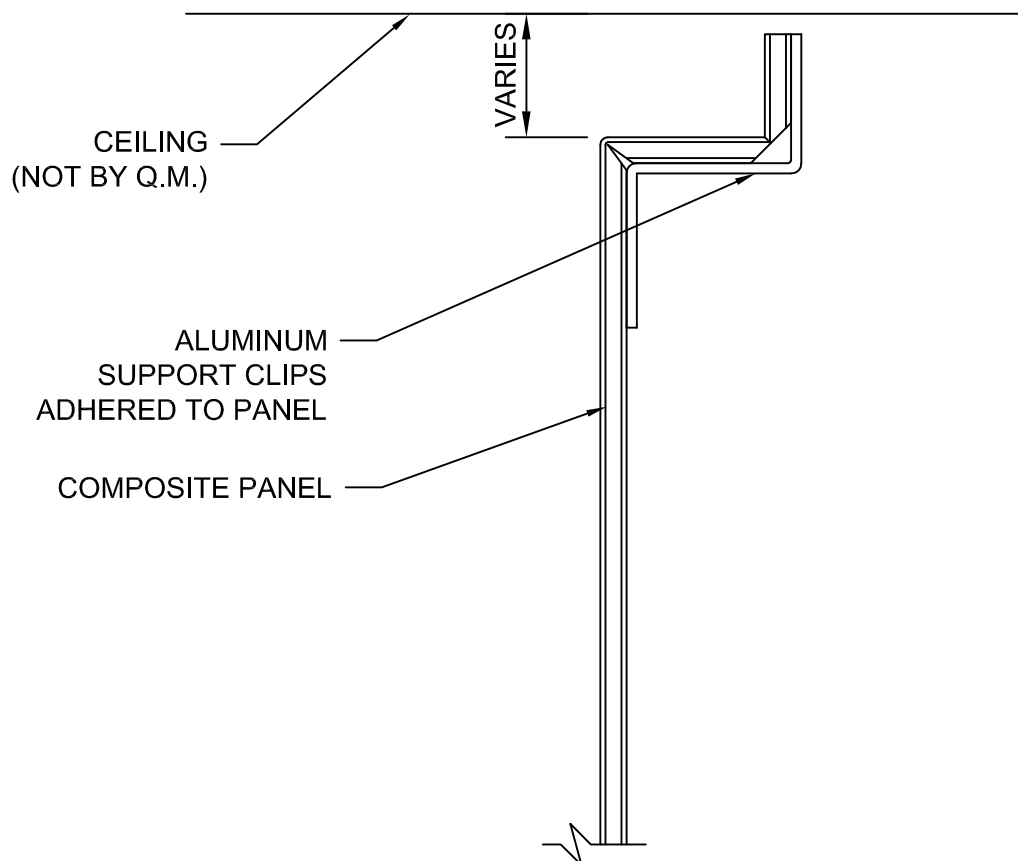
COPYRIGHT AMERICLAD, LLC

RECTANGULAR - HEAD DETAIL (3)

DETAIL R

NOTE:

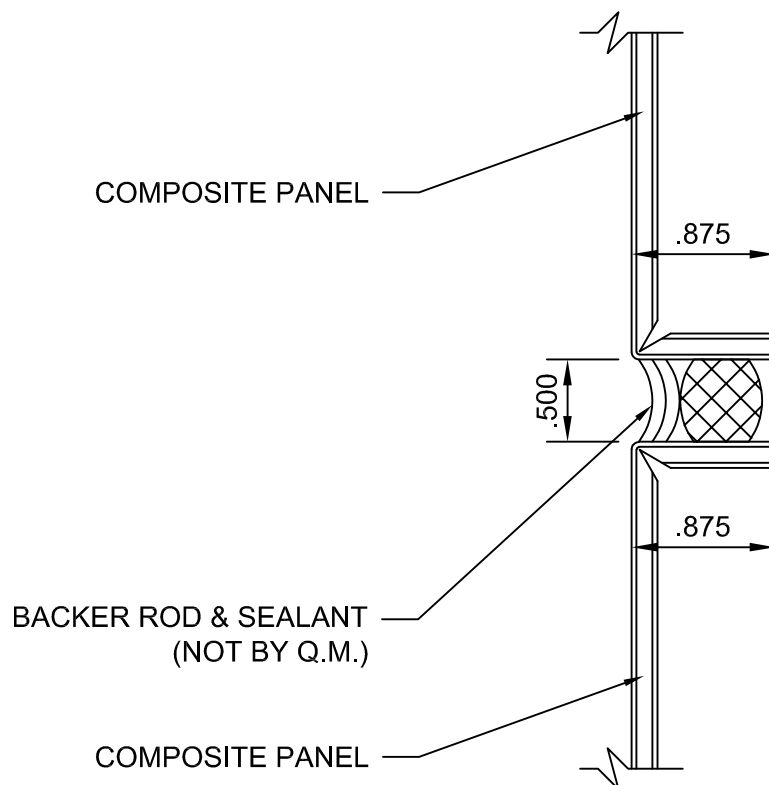
LOAD BEARING WALL COMPONENTS OF EITHER: 16GA STEEL STUDS, STRUCTURAL MEMBERS, MINIMUM 5/8" PLYWOOD OR CONCRETE. GYPSUM BOARD AND CEMENT BOARD ARE NOT A STRUCTURAL COMPONENT.



RECTANGULAR - INTERMEDIATE DETAIL (1) DETAIL S

NOTE:

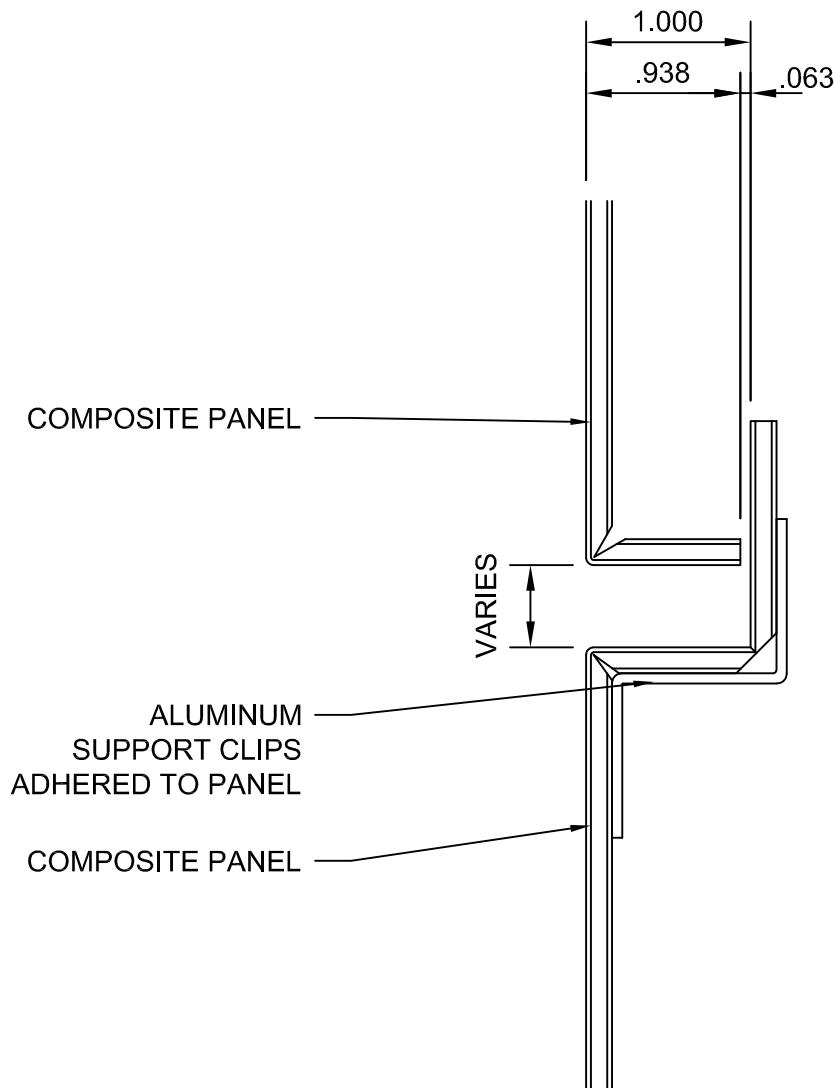
LOAD BEARING WALL COMPONENTS OF EITHER: 16GA STEEL STUDS, STRUCTURAL MEMBERS, MINIMUM 5/8" PLYWOOD OR CONCRETE. GYPSUM BOARD AND CEMENT BOARD ARE NOT A STRUCTURAL COMPONENT.



RECTANGULAR - INTERMEDIATE DETAIL (2) DETAIL T

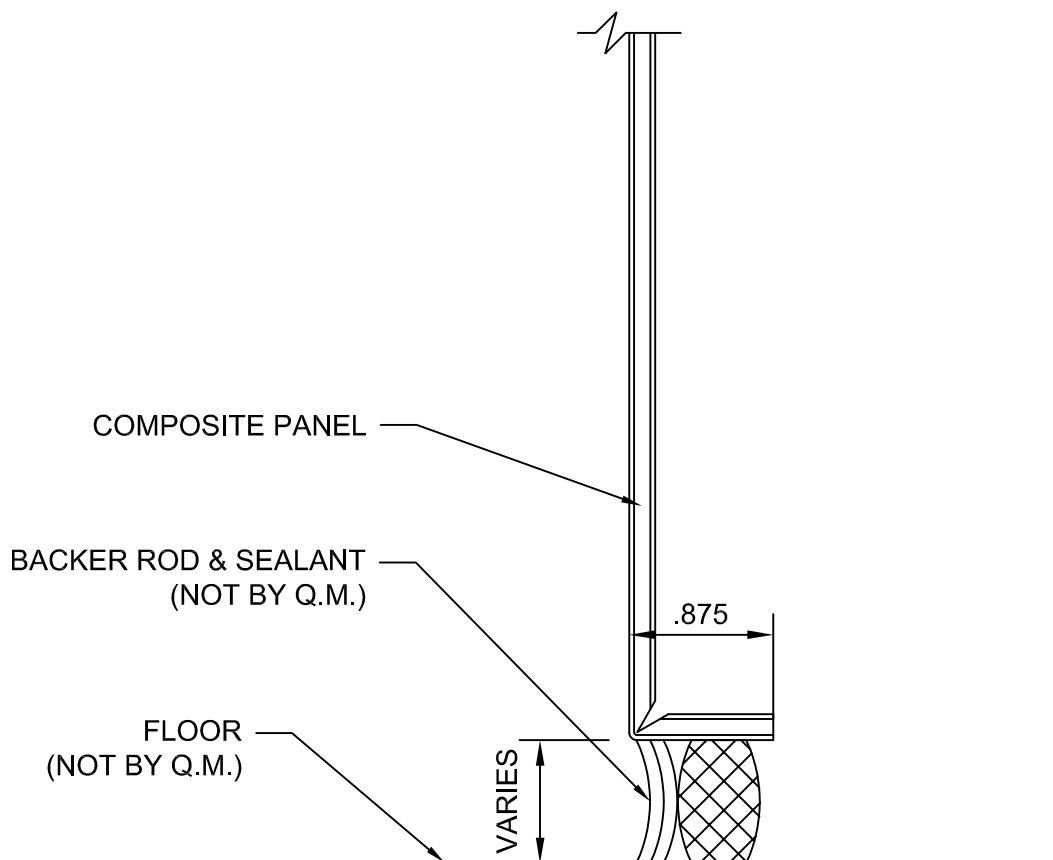
NOTE:

LOAD BEARING WALL COMPONENTS OF EITHER: 16GA STEEL STUDS, STRUCTURAL MEMBERS, MINIMUM 5/8" PLYWOOD OR CONCRETE. GYPSUM BOARD AND CEMENT BOARD ARE NOT A STRUCTURAL COMPONENT.



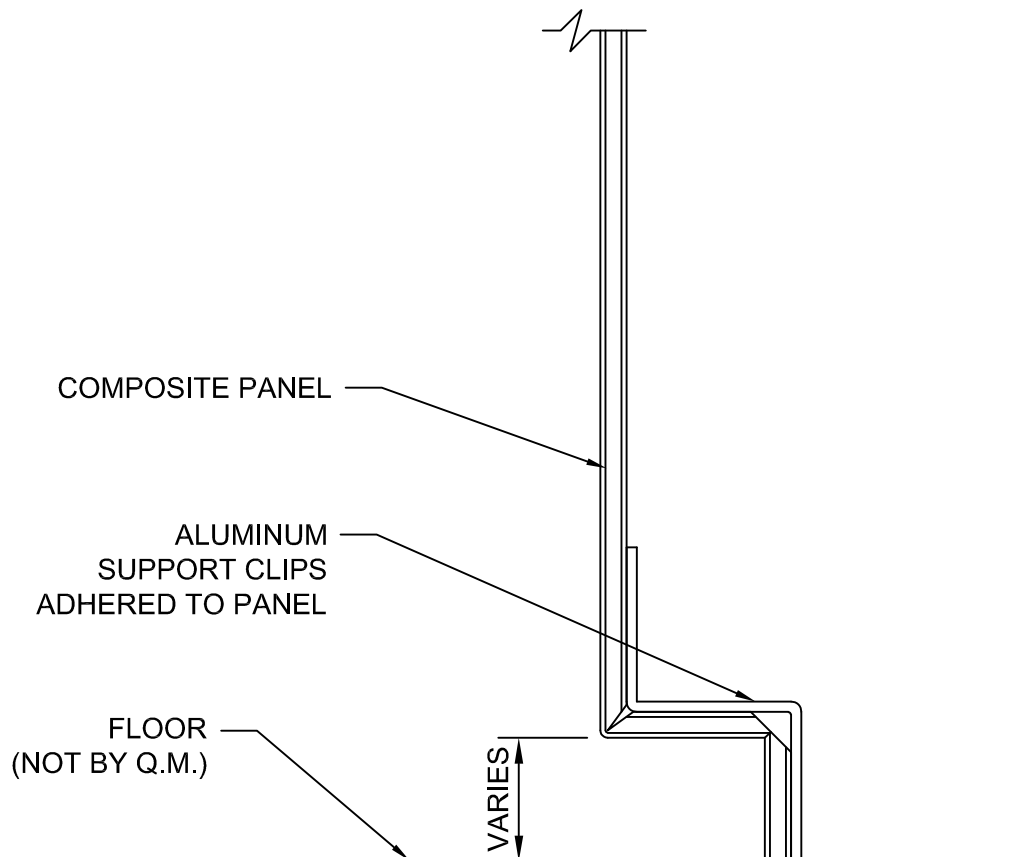
RECTANGULAR - BASE DETAIL (1)**DETAIL U****NOTE:**

LOAD BEARING WALL COMPONENTS OF EITHER: 16GA STEEL STUDS, STRUCTURAL MEMBERS, MINIMUM 5/8" PLYWOOD OR CONCRETE. GYPSUM BOARD AND CEMENT BOARD ARE NOT A STRUCTURAL COMPONENT.



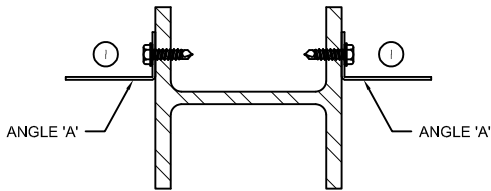
RECTANGULAR - BASE DETAIL (2)**DETAIL V****NOTE:**

LOAD BEARING WALL COMPONENTS OF EITHER: 16GA STEEL STUDS, STRUCTURAL MEMBERS, MINIMUM 5/8" PLYWOOD OR CONCRETE. GYPSUM BOARD AND CEMENT BOARD ARE NOT A STRUCTURAL COMPONENT.

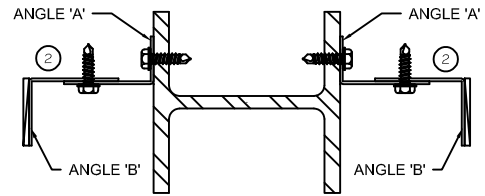


COMPOSITE COLUMN COVER (REVEAL JOINT) INSTALLATION GUIDE

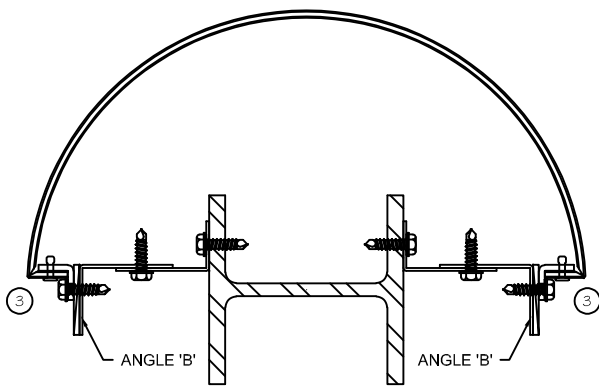
DETAIL W



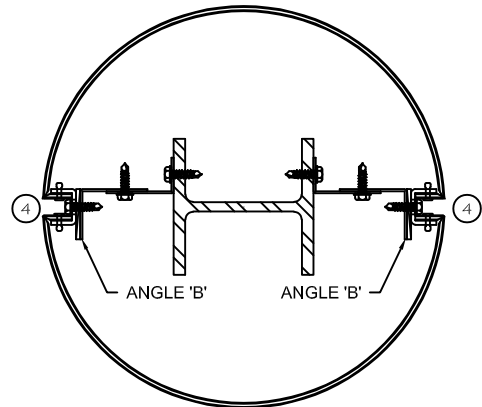
① FASTEN FRAMING ANGLE 'A' TO EACH SIDE OF STRUCTURAL COLUMN



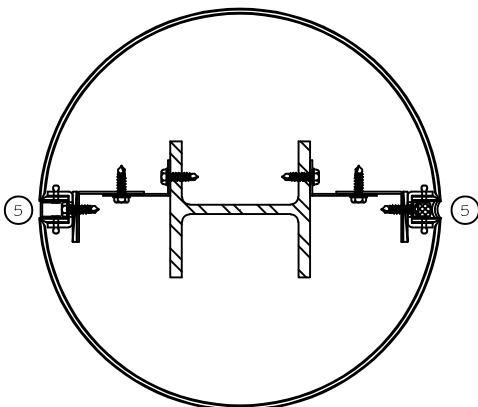
② FASTEN FRAMING ANGLE 'B' PLUMB TO EACH ANGLE 'A' (SHIM AS REQUIRED)



③ FASTEN FIRST COLUMN COVER PANEL TO EACH ANGLE 'B' USING PANEL CLIPS (SHIPPED LOOSE)



④ FASTEN SECOND COLUMN COVER PANEL TO EACH ANGLE 'B' USING PANEL CLIPS (SHIPPED LOOSE)



⑤ WET SEAL JOINTS OR PLACE FINISH CHANNEL INTO JOINTS