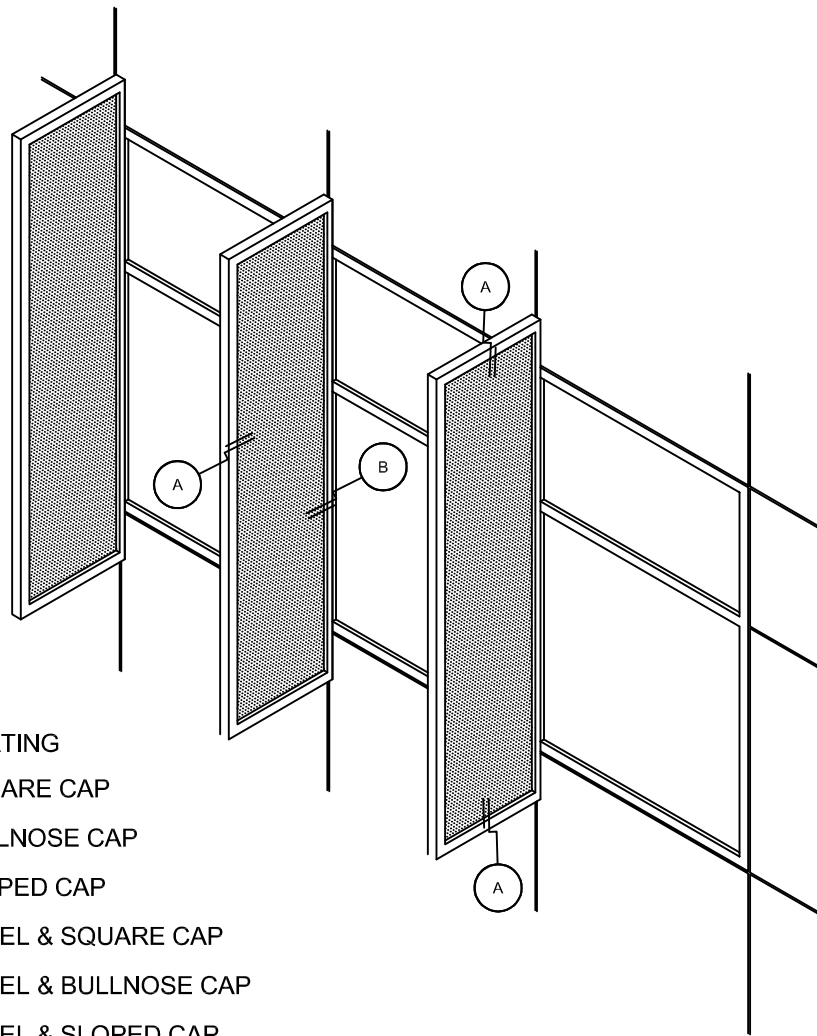


## VERTICAL SUNSHADES - 1 3/8 " WIDE

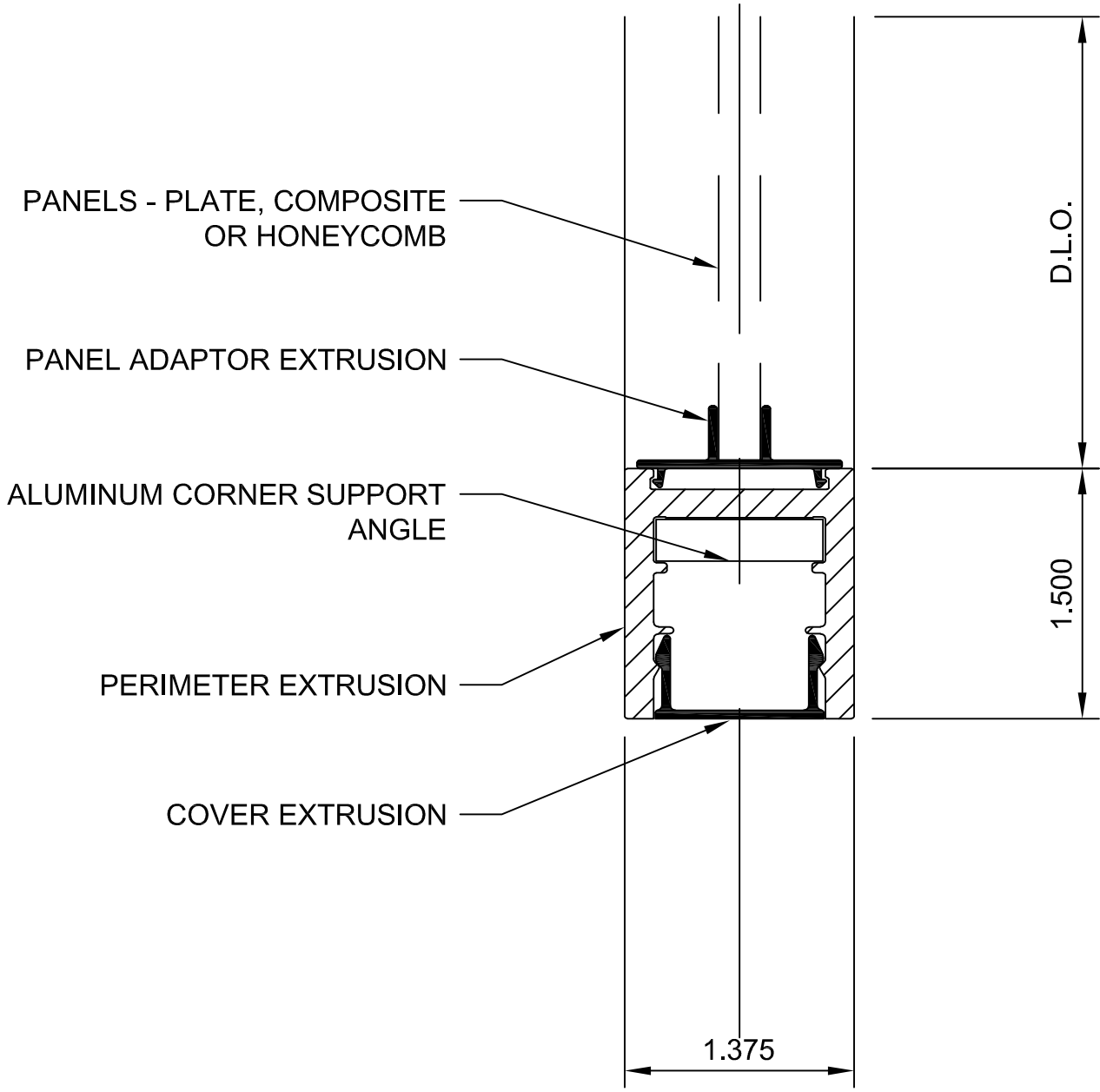


- Ⓐ PERIMETER
- Ⓐ PERIMETER - GRATING
- Ⓐ PERIMETER - SQUARE CAP
- Ⓐ PERIMETER - BULLNOSE CAP
- Ⓐ PERIMETER - SLOPED CAP
- Ⓐ PERIMETER - PANEL & SQUARE CAP
- Ⓐ PERIMETER - PANEL & BULLNOSE CAP
- Ⓐ PERIMETER - PANEL & SLOPED CAP
- Ⓑ ANCHOR (1)
- Ⓑ ANCHOR (2)
- Ⓑ ANCHOR (3)
- Ⓑ ANCHOR (4)
- Ⓑ ANCHOR - GRATING
- Ⓑ ANCHOR - PANEL

COPYRIGHT AMERICLAD, LLC

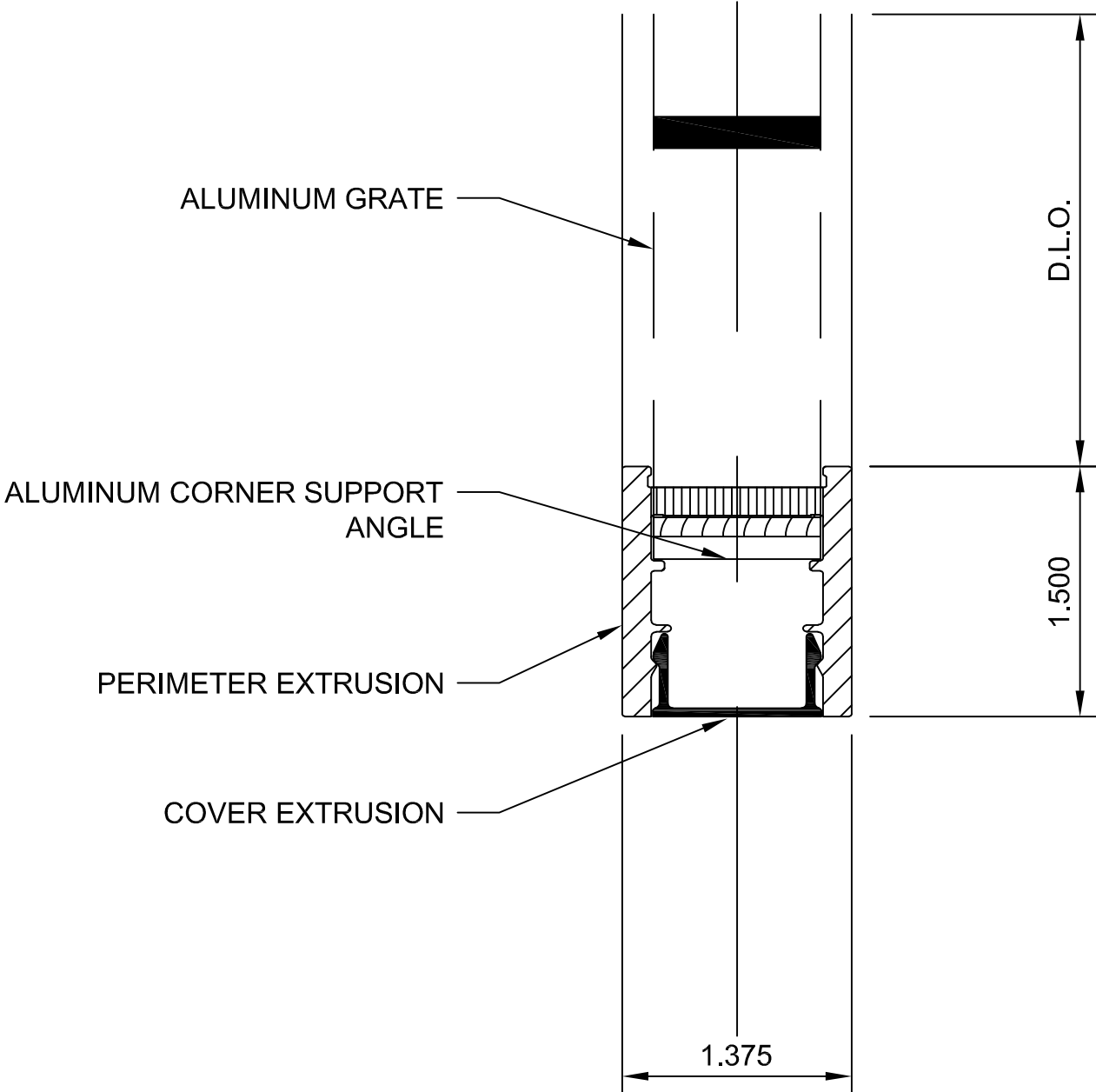
PERIMETER DETAIL

DETAIL A1



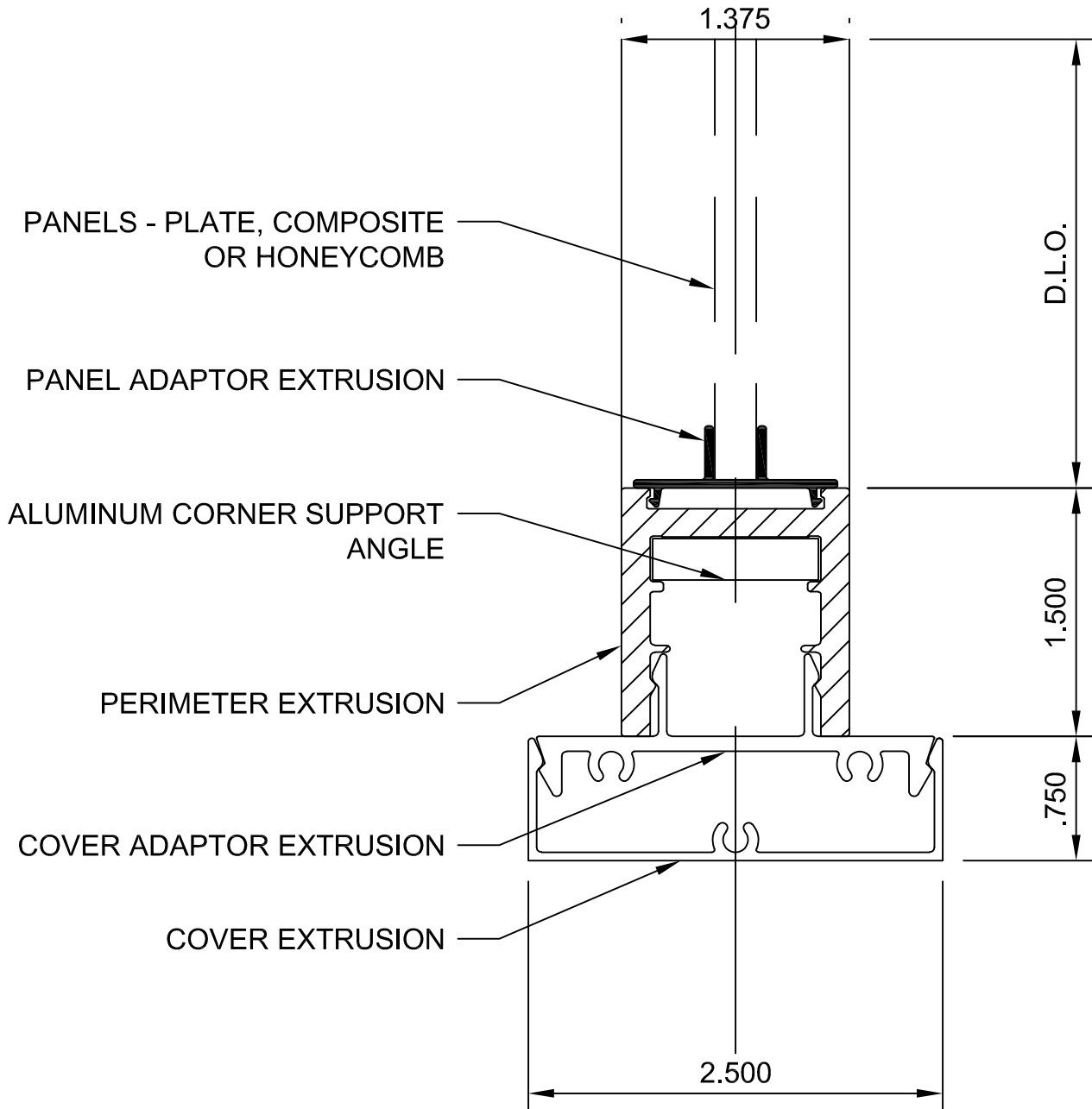
PERIMETER - GRATING DETAIL

DETAIL A2



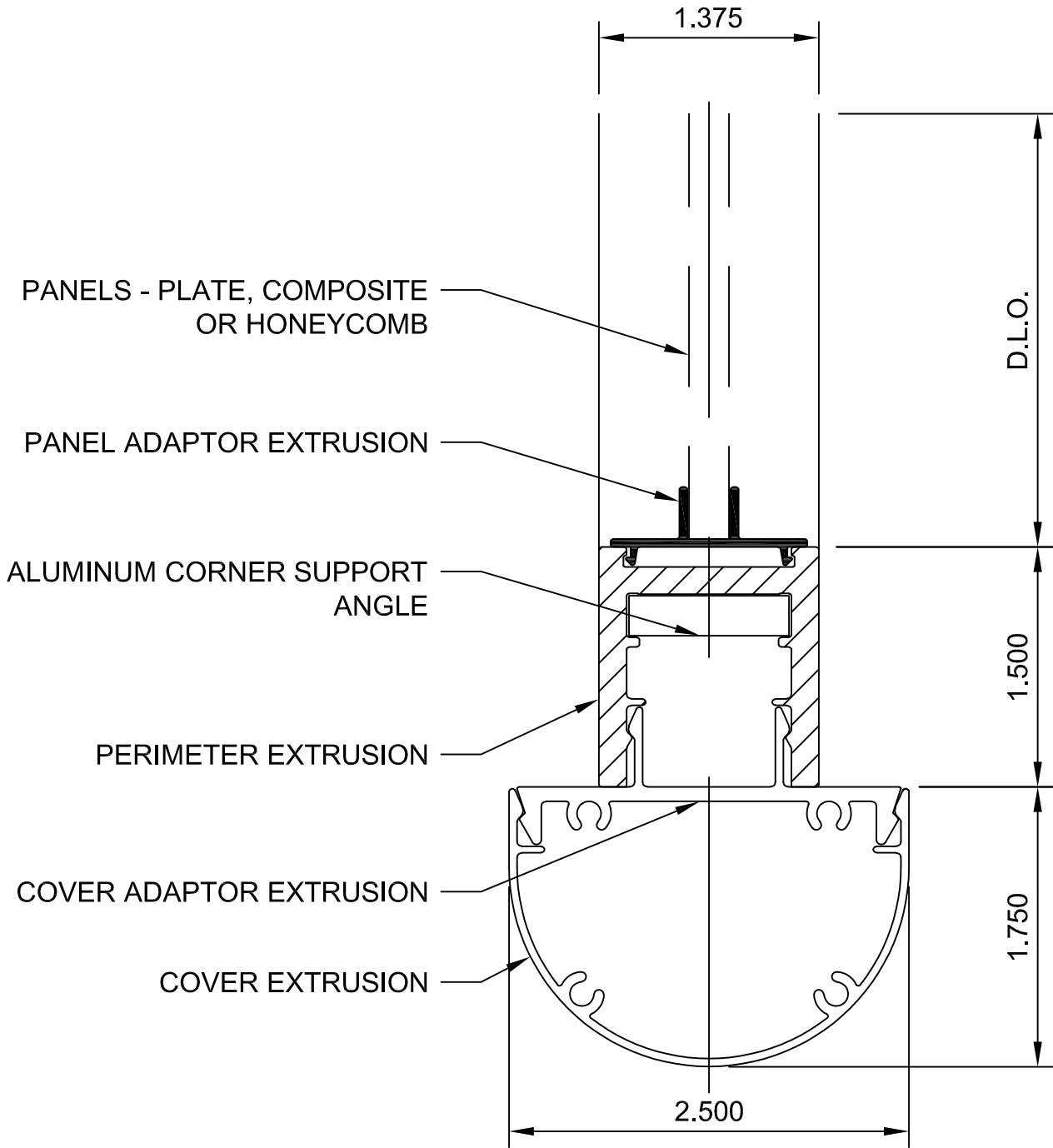
PERIMETER - SQUARE CAP DETAIL

DETAIL A3



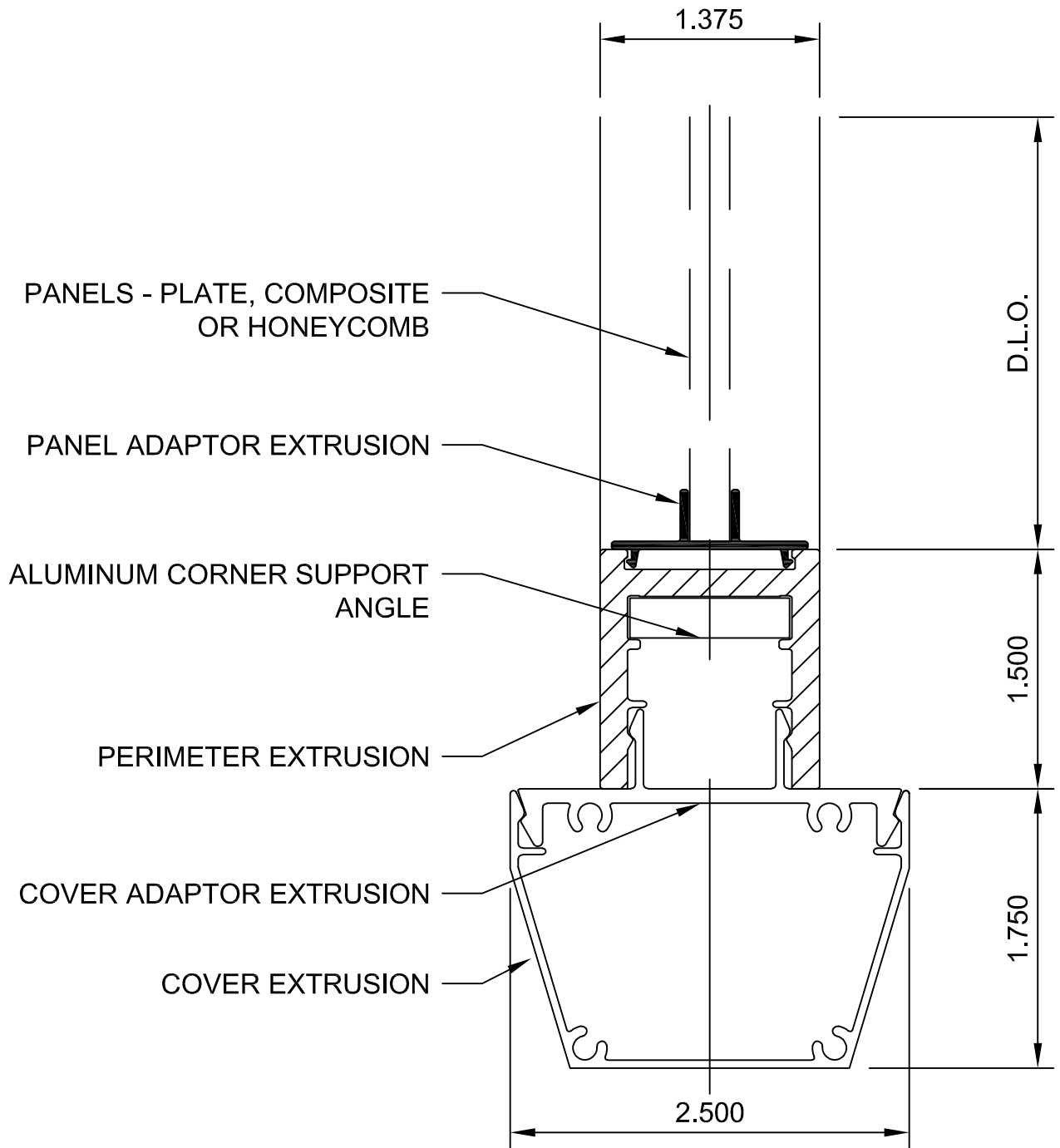
PERIMETER - BULLNOSE CAP DETAIL

DETAIL A4



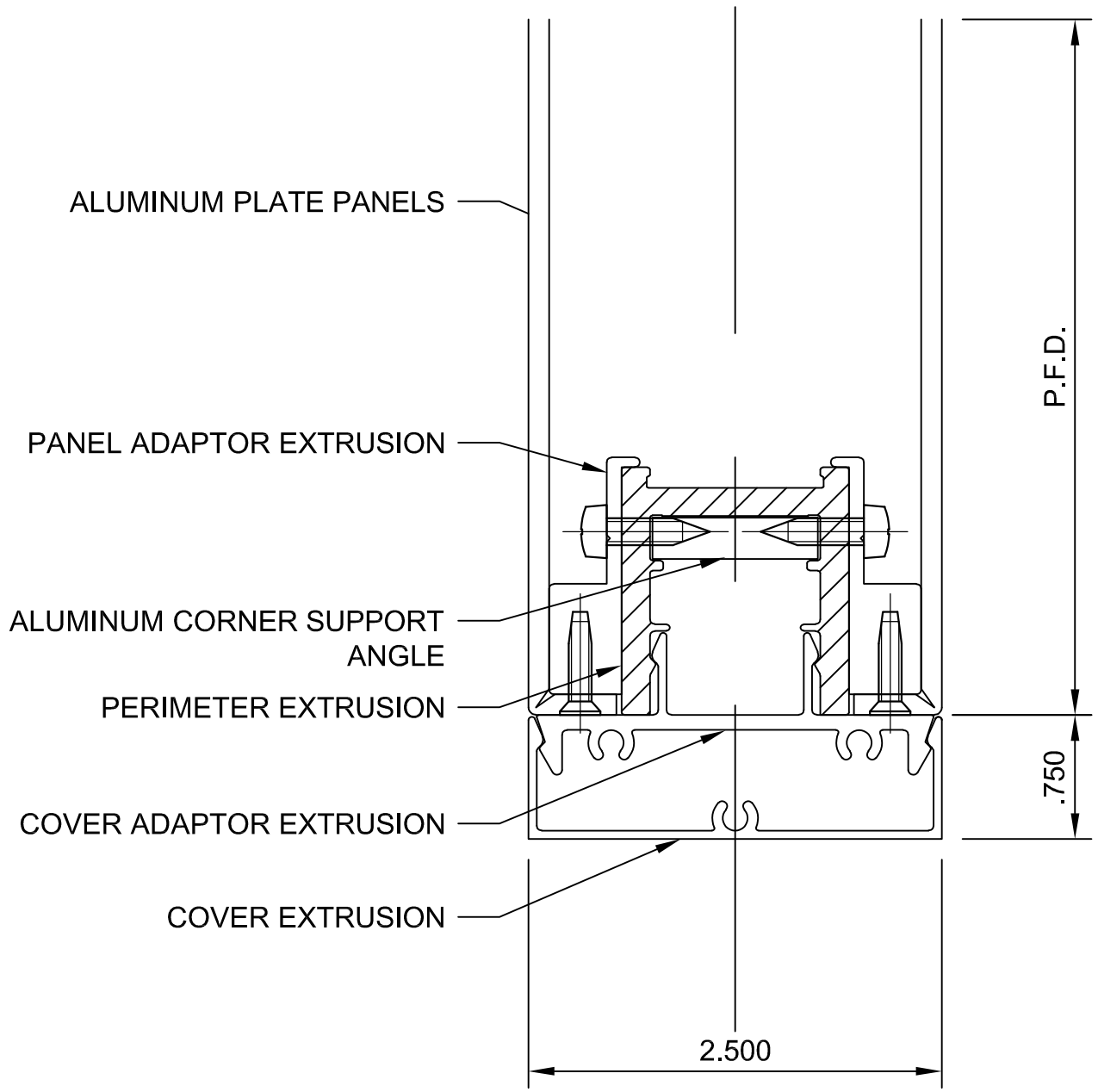
PERIMETER - SLOPED CAP DETAIL

DETAIL A5



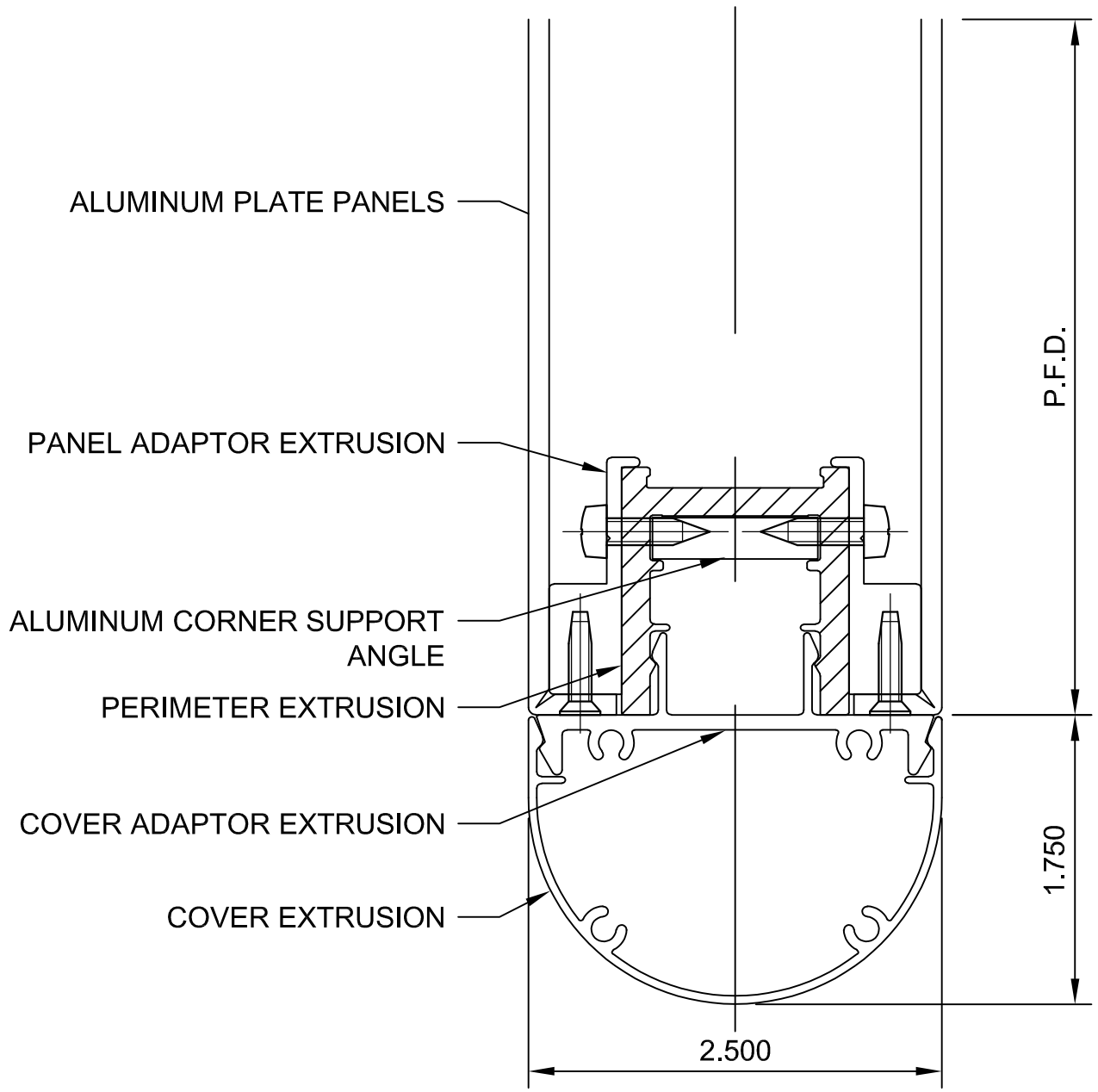
PERIMETER - PANEL & SQUARE CAP DETAIL

DETAIL A6



PERIMETER - PANEL & BULLNOSE CAP DETAIL

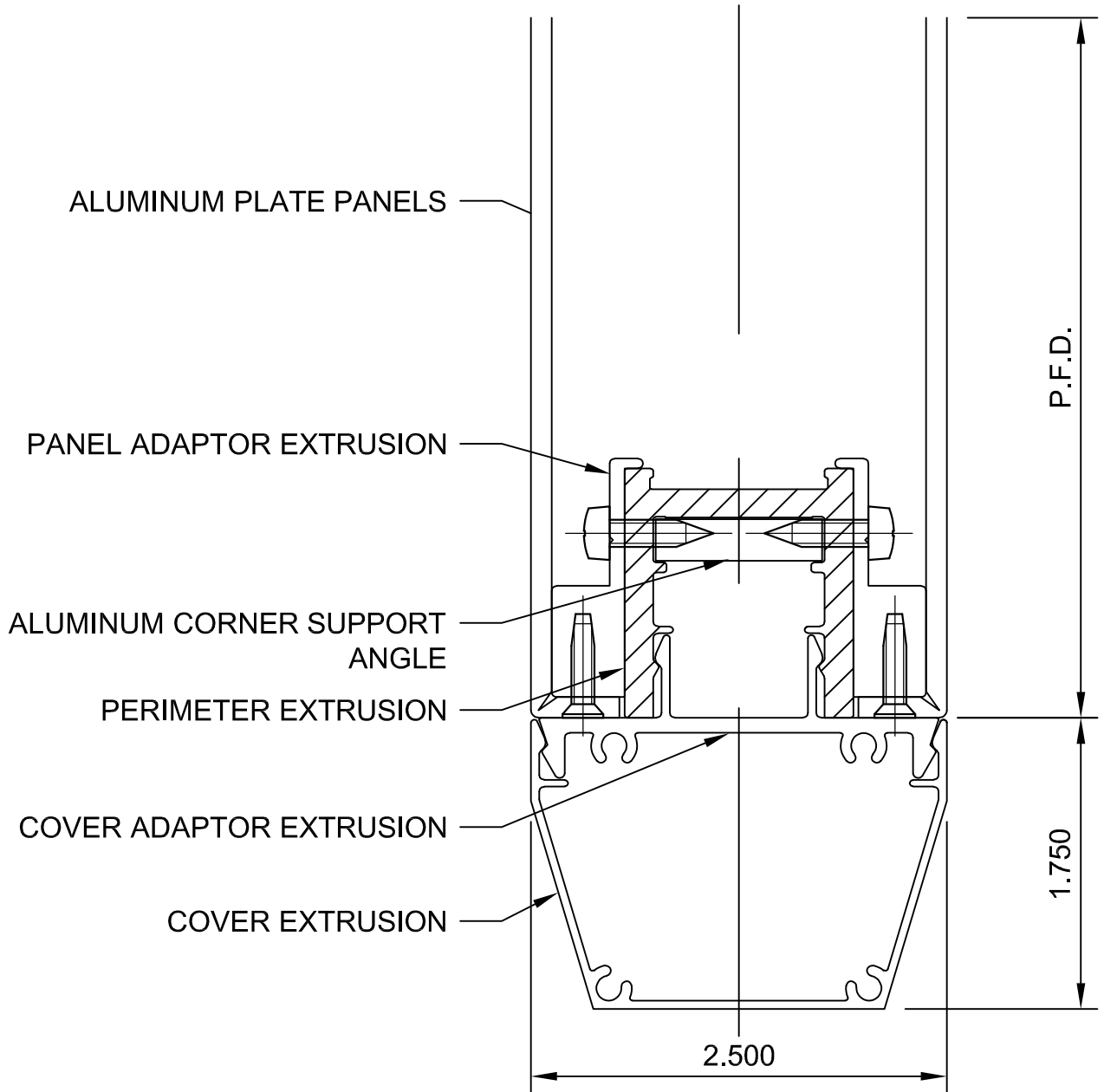
DETAIL A7





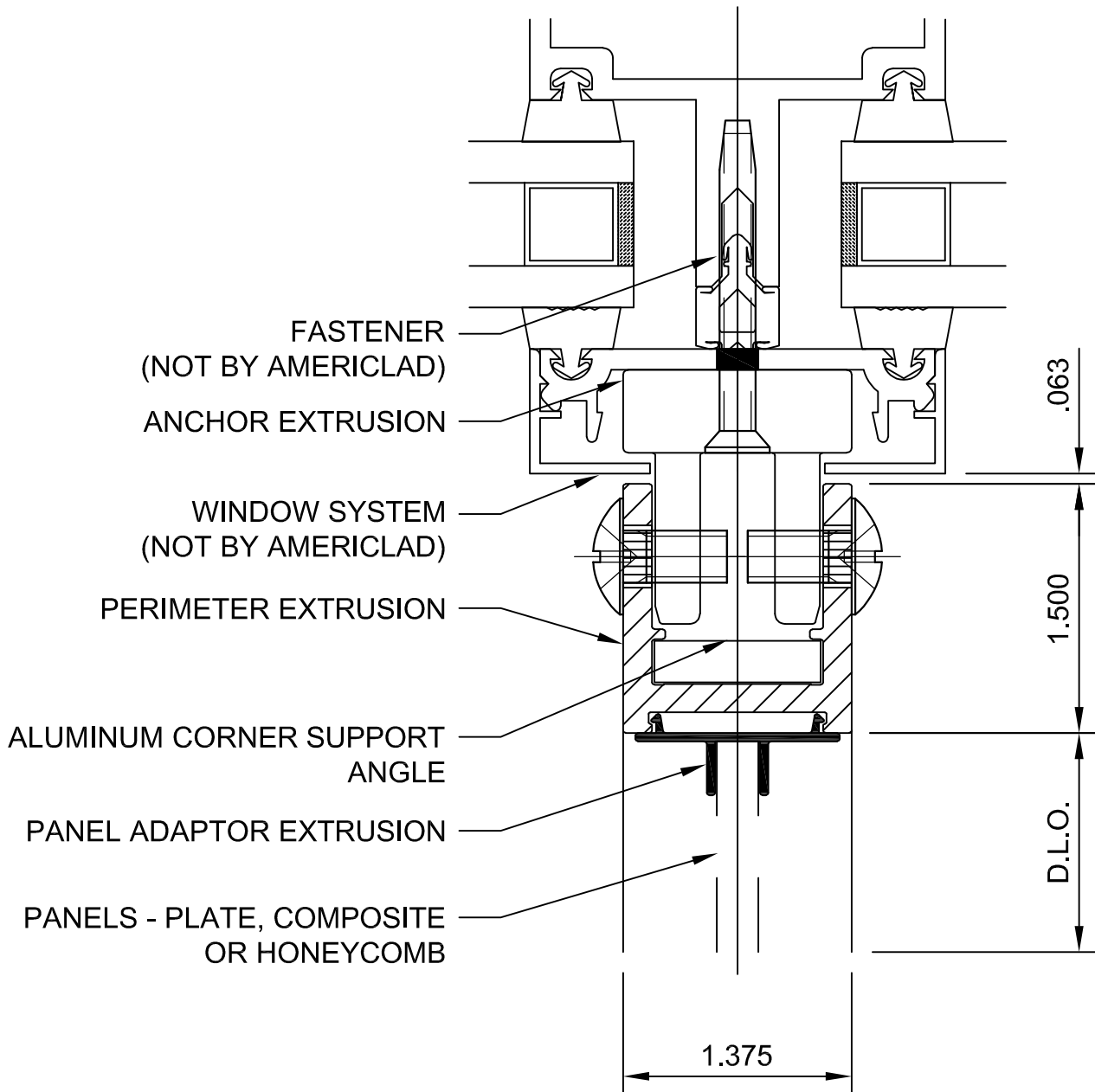
PERIMETER - PANEL & SLOPED CAP DETAIL

DETAIL A8



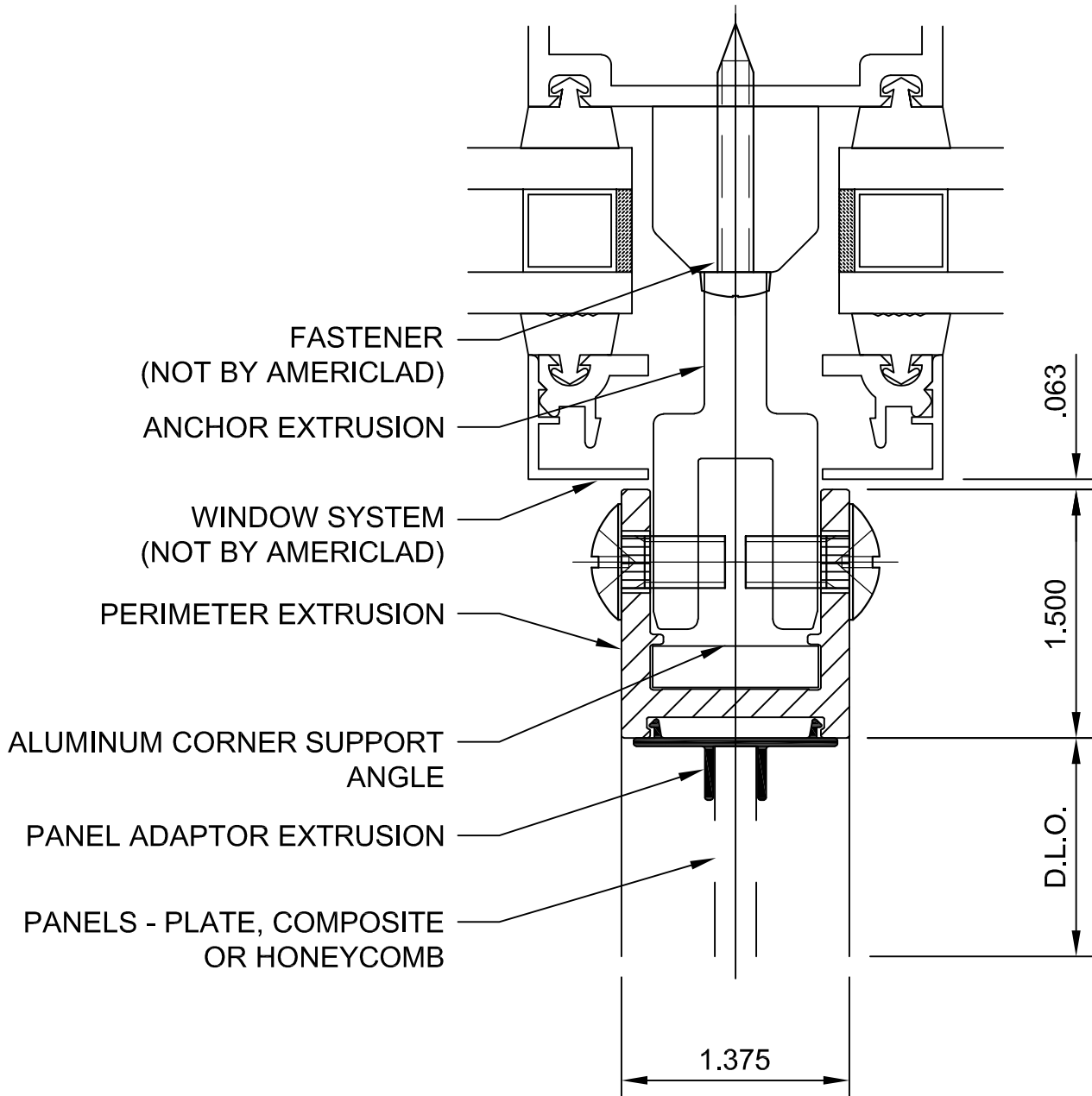
## ANCHOR DETAIL (1)

## DETAIL B1



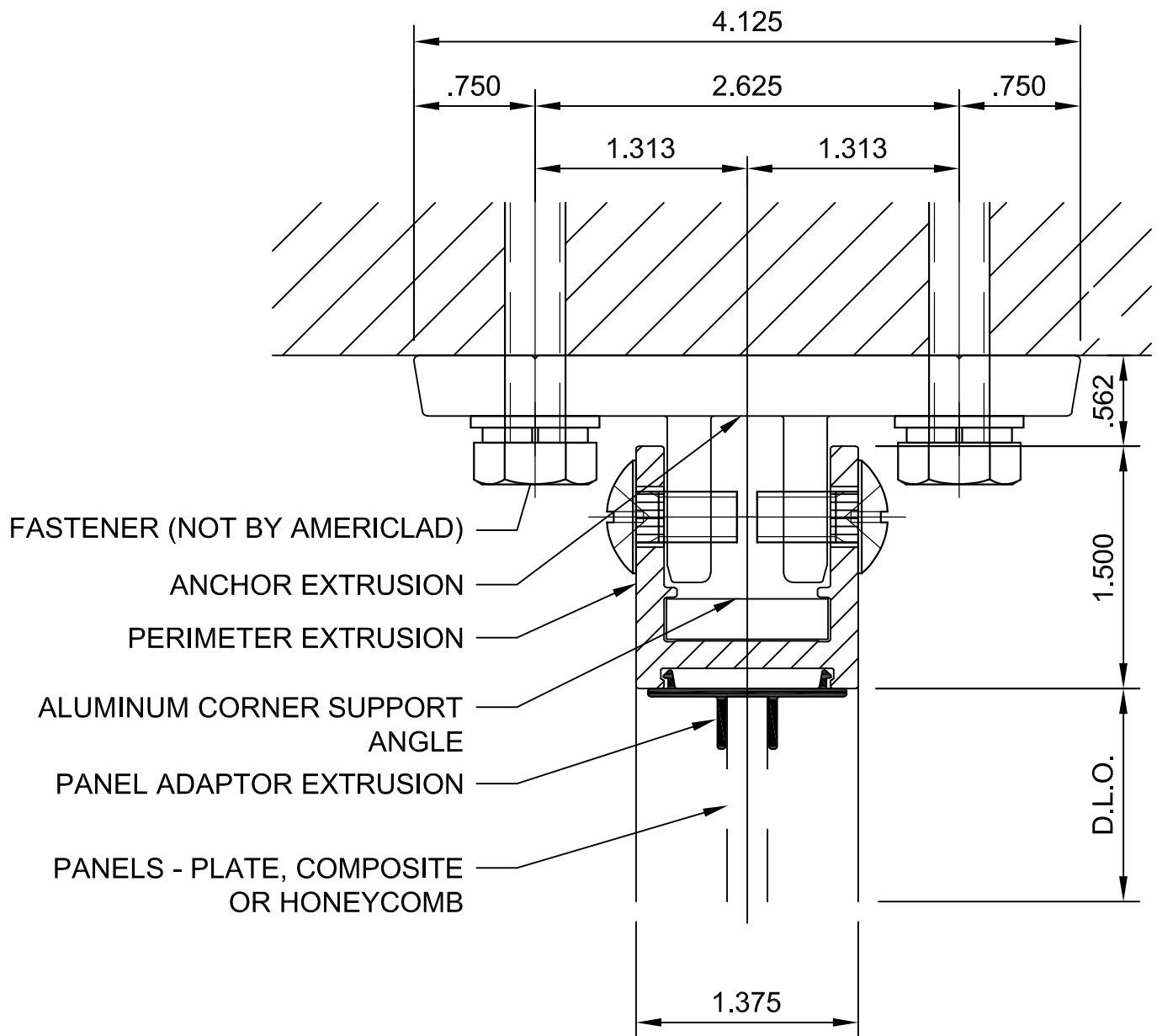
**ANCHOR DETAIL (2)**

**DETAIL B2**



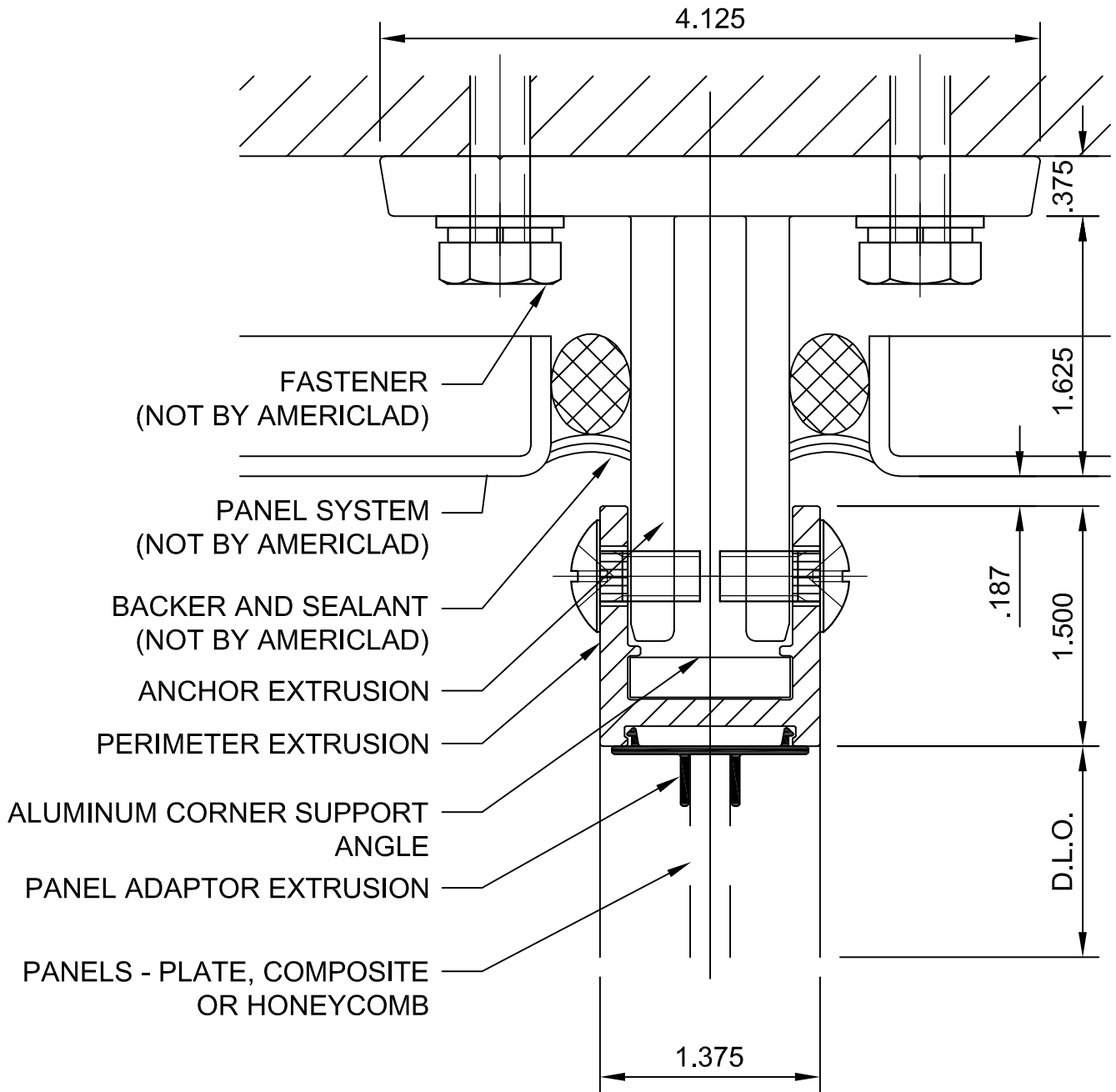
## ANCHOR DETAIL (3)

## DETAIL B3



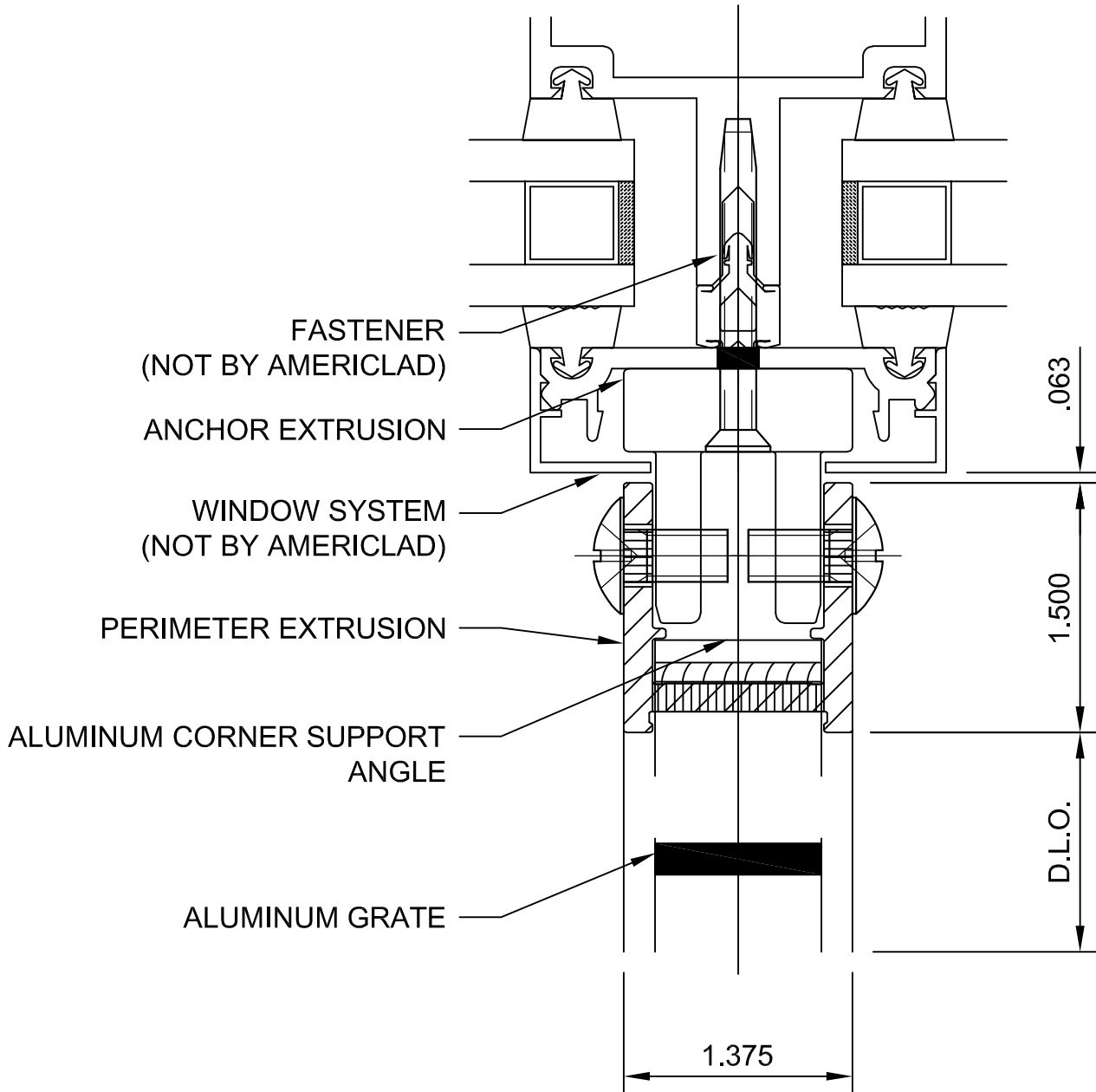
## ANCHOR DETAIL (4)

## DETAIL B4



ANCHOR - GRATING DETAIL

DETAIL B5



**ANCHOR - PANEL DETAIL**

**DETAIL B6**

