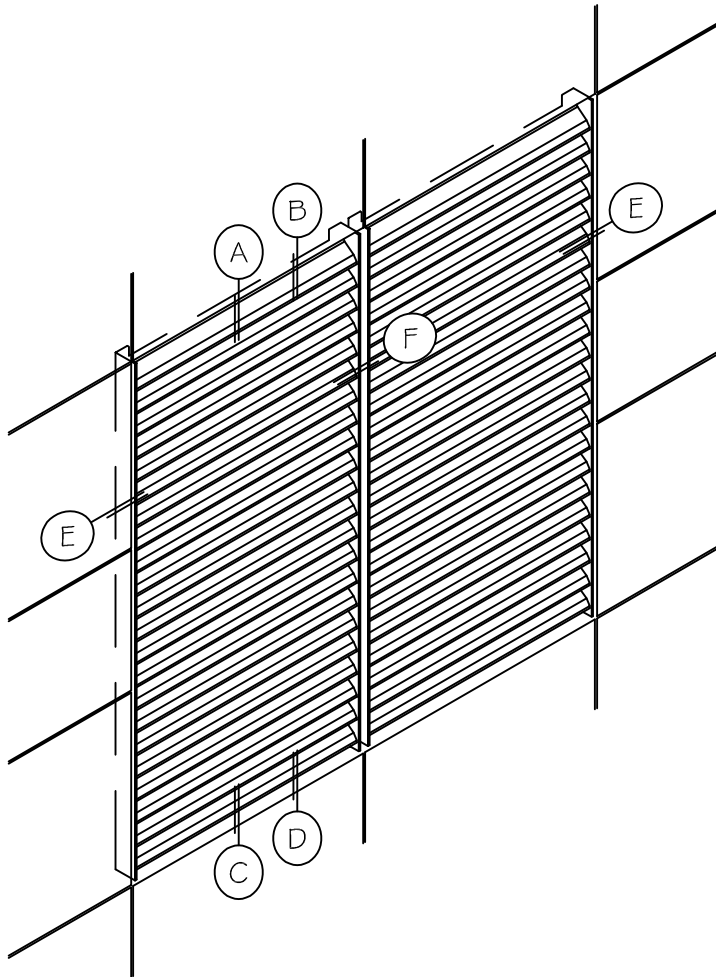
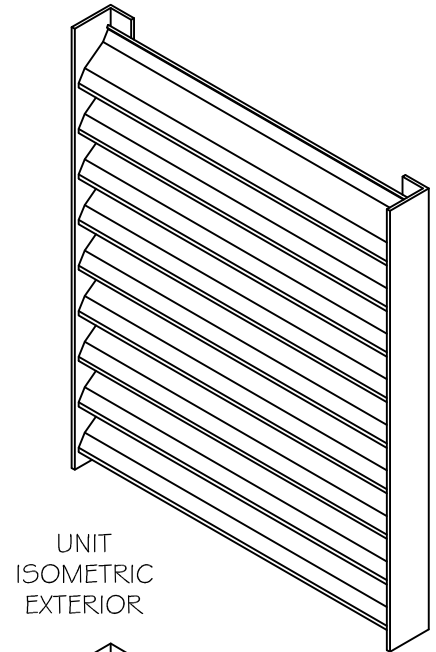


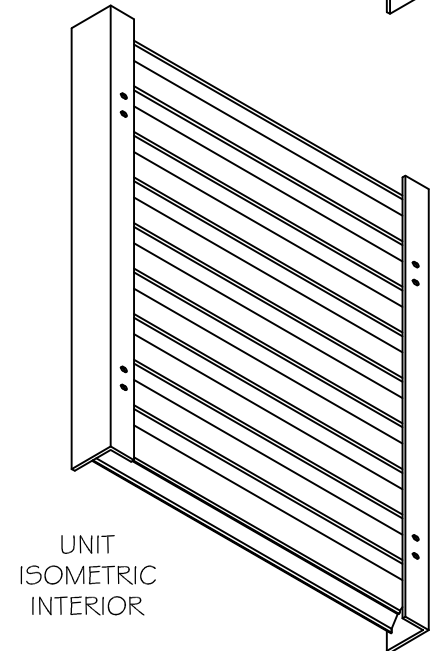
## SCREEN WALL - LOUVER



- (A) HEAD (1)
- (B) HEAD (2) - INVERTED AIRFOIL
- (C) SILL (1)
- (D) SILL (2) - INVERTED AIRFOIL
- (E) JAMB
- (F) INTERMEDIATE VERTICAL
- (G) SCREEN COMPONENTS



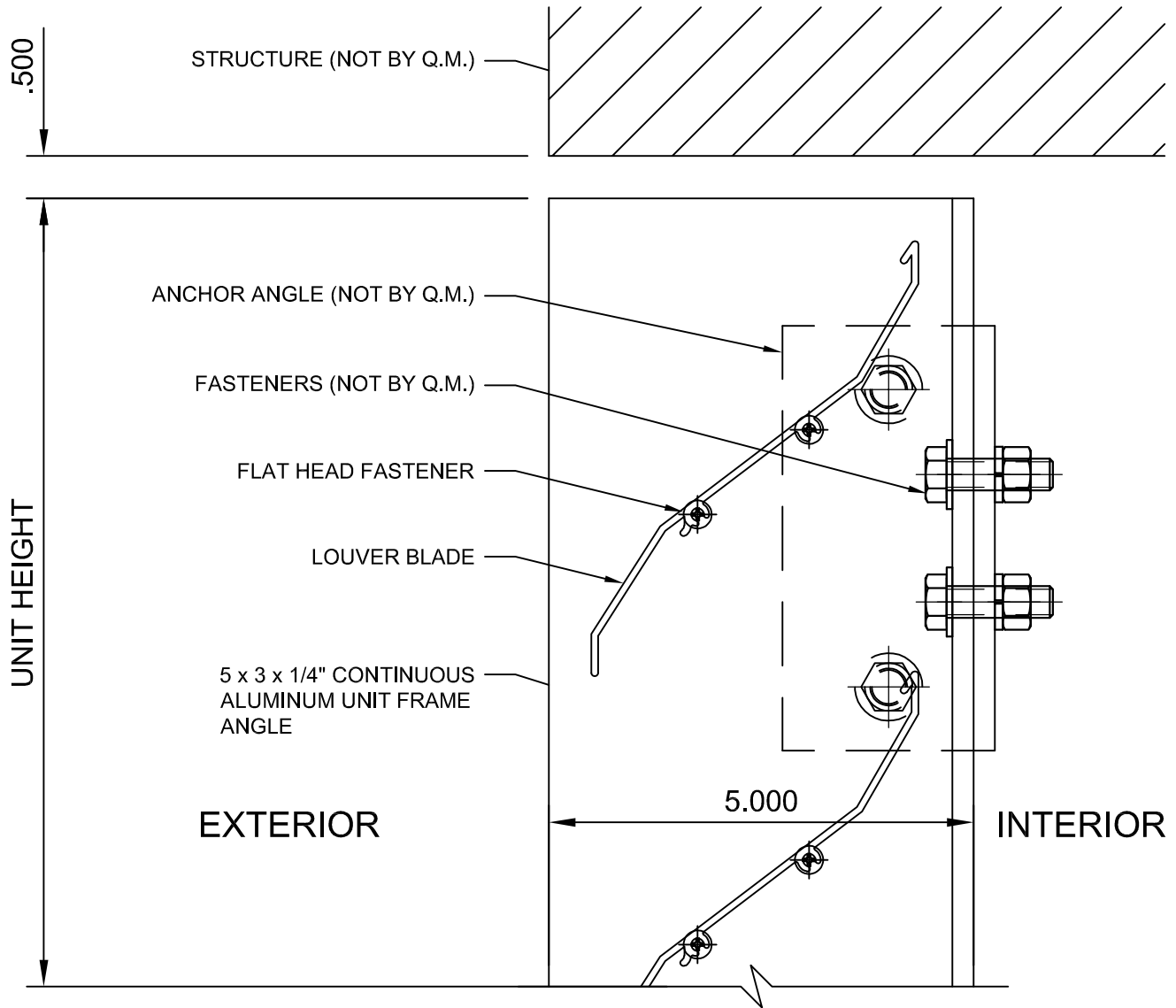
UNIT  
ISOMETRIC  
EXTERIOR



UNIT  
ISOMETRIC  
INTERIOR

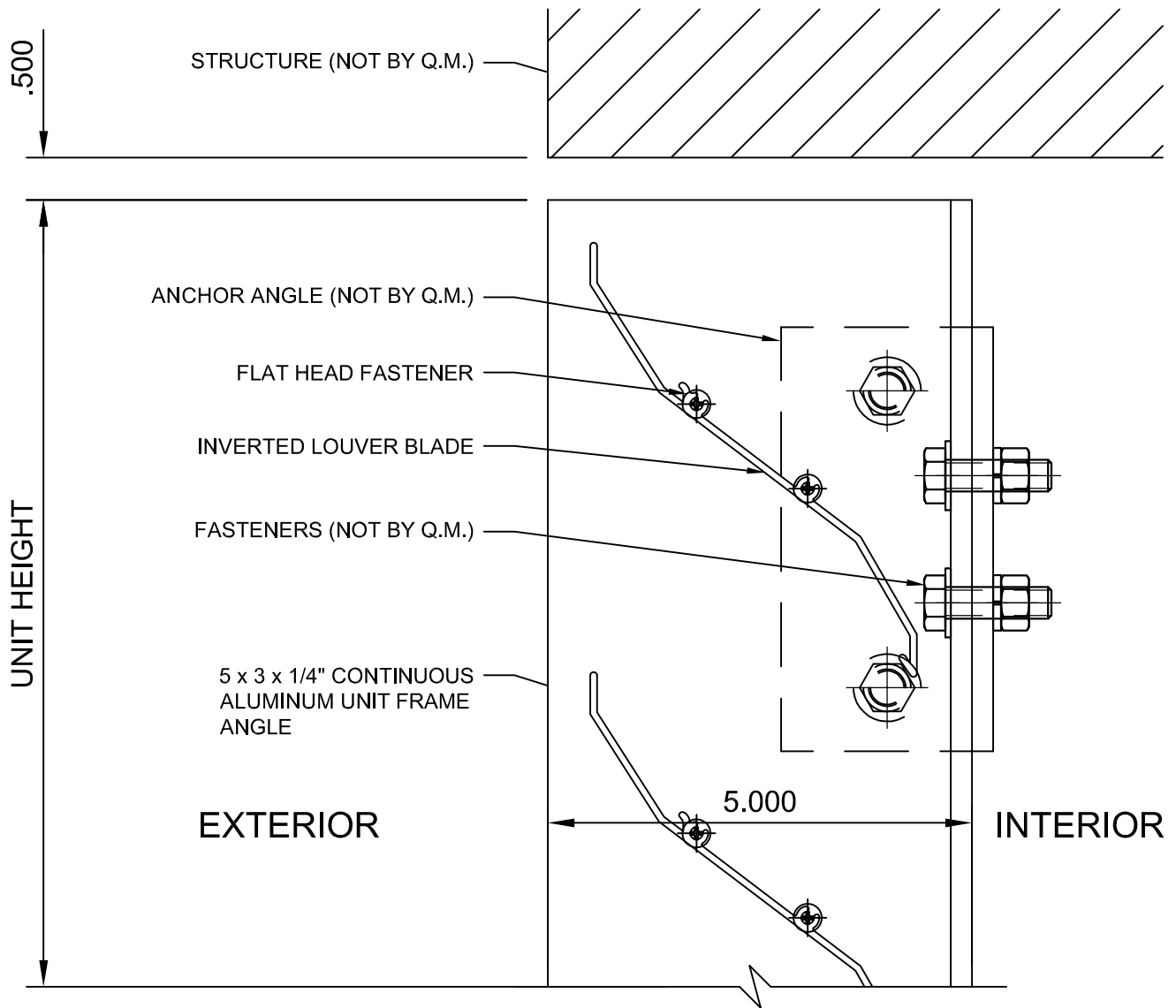
HEAD (1)

DETAIL A



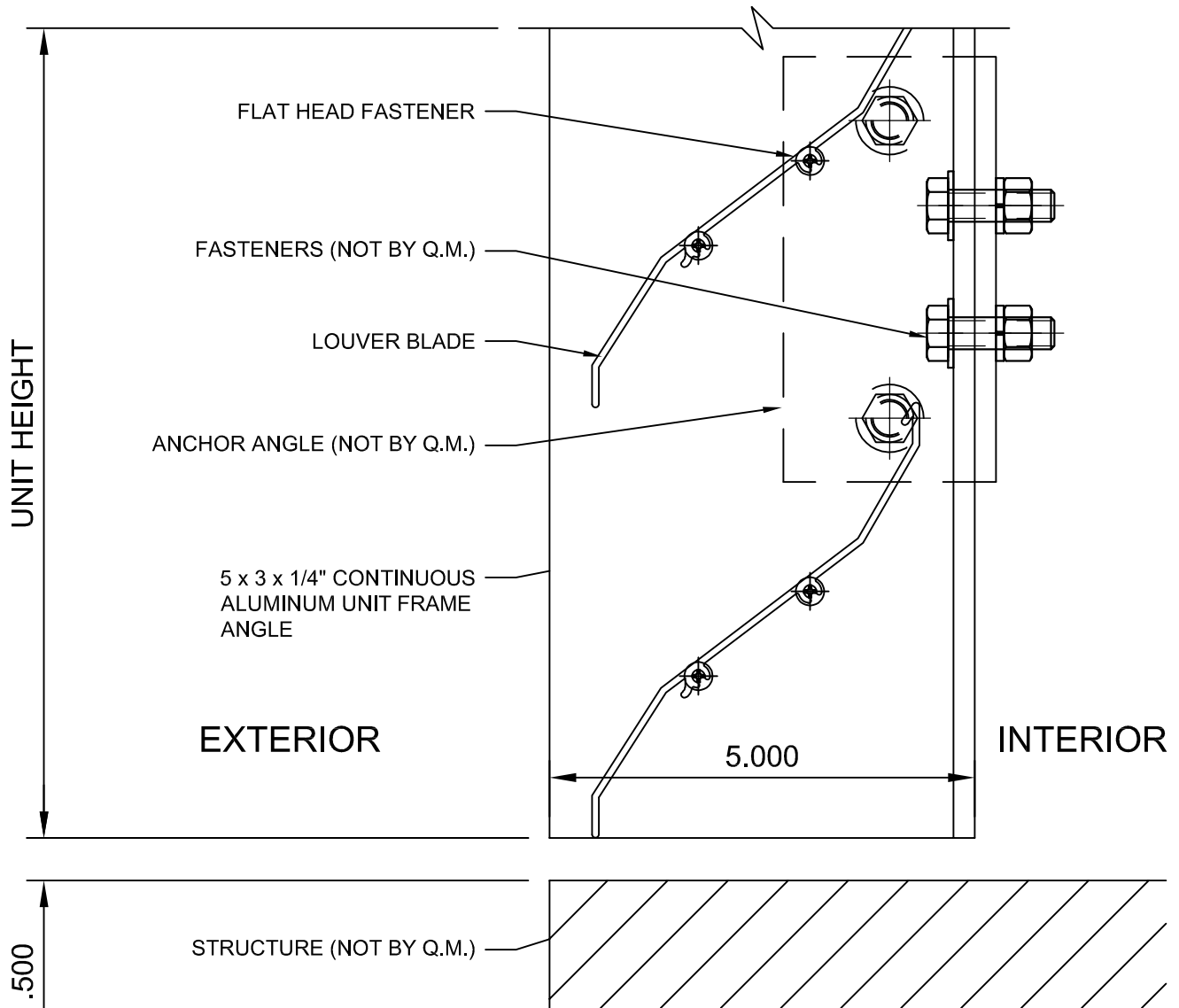
HEAD (2) - INVERTED AIRFOIL

DETAIL B



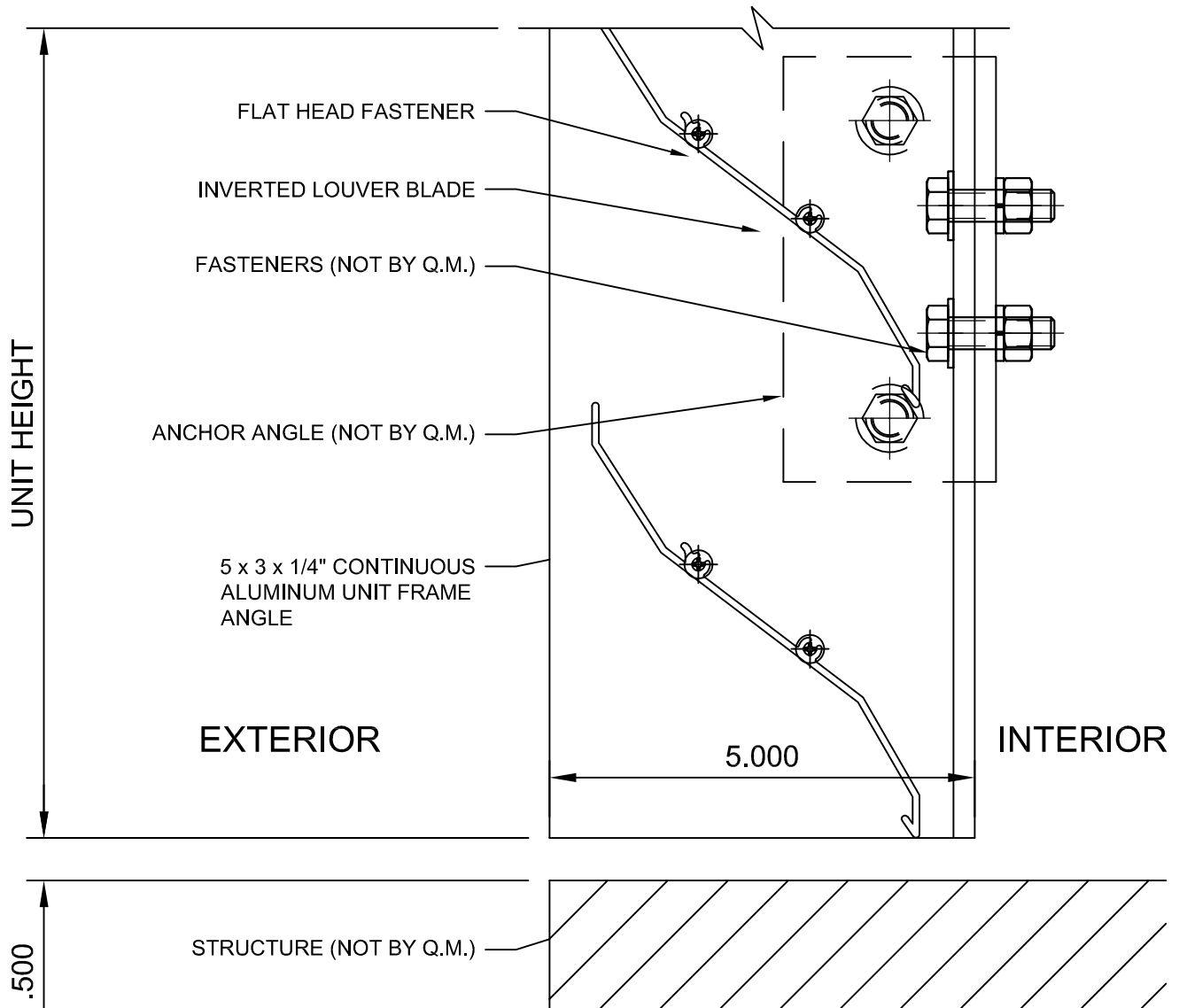
SILL (1)

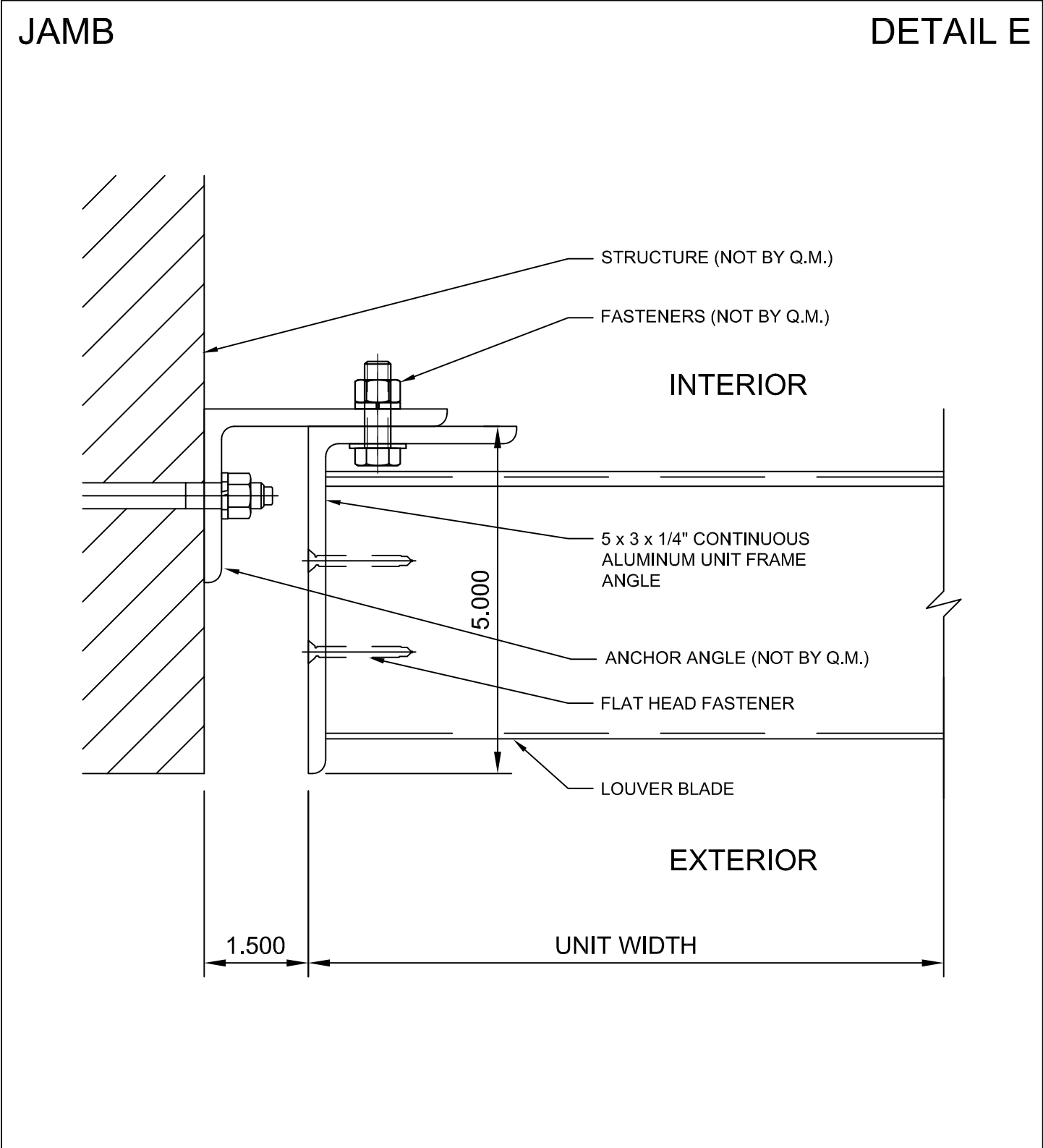
DETAIL C



SILL (2) - INVERTED AIRFOIL

DETAIL D

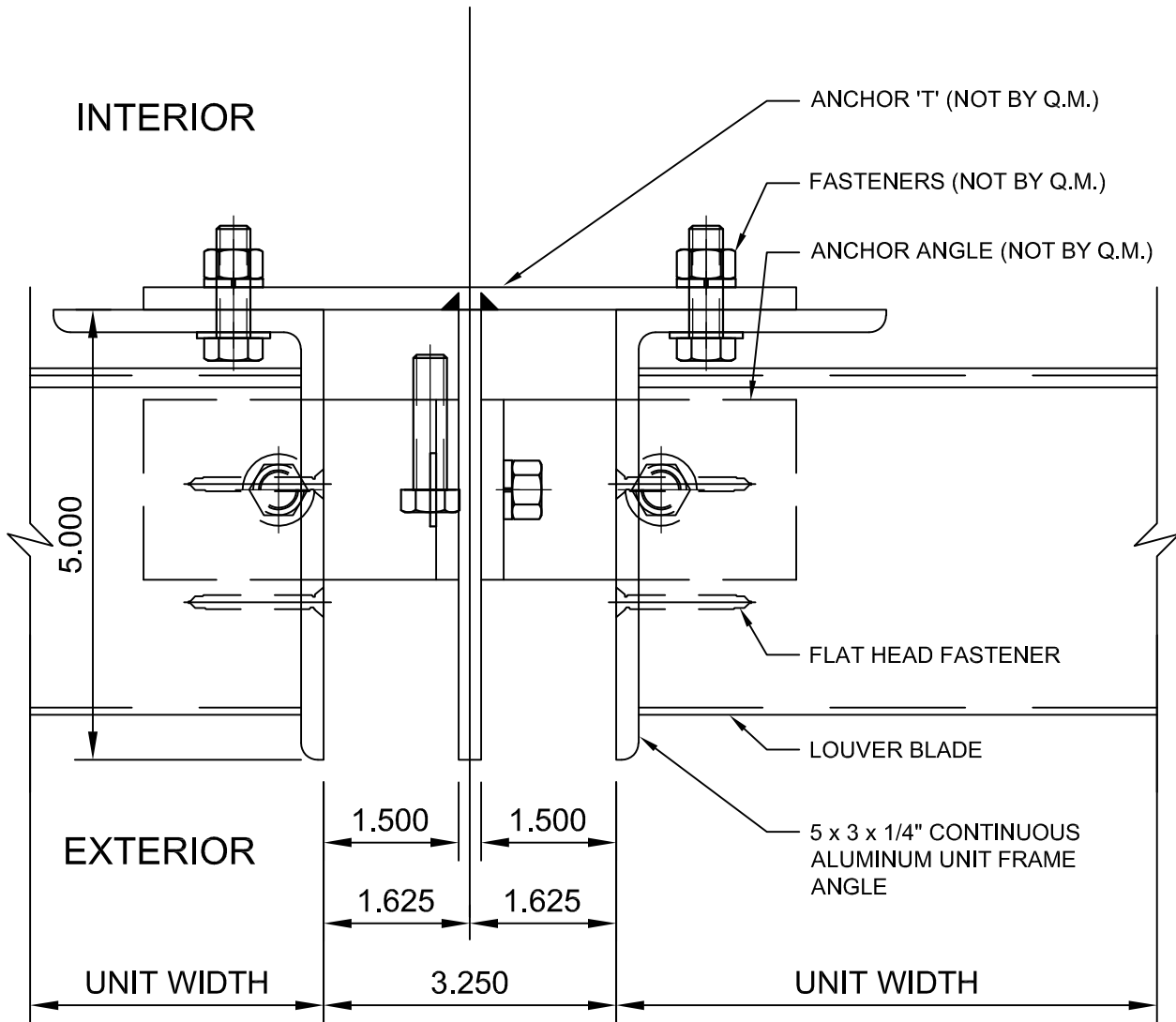




COPYRIGHT AMERICLAD, LLC

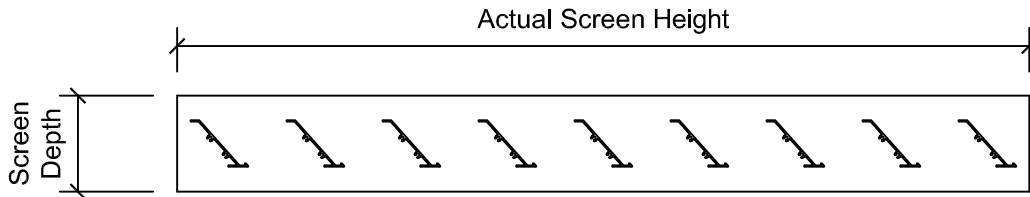
INTERMEDIATE VERTICAL

DETAIL F



## SCREEN COMPONENTS

## DETAIL G



STANDARD LOUVER BLADES

