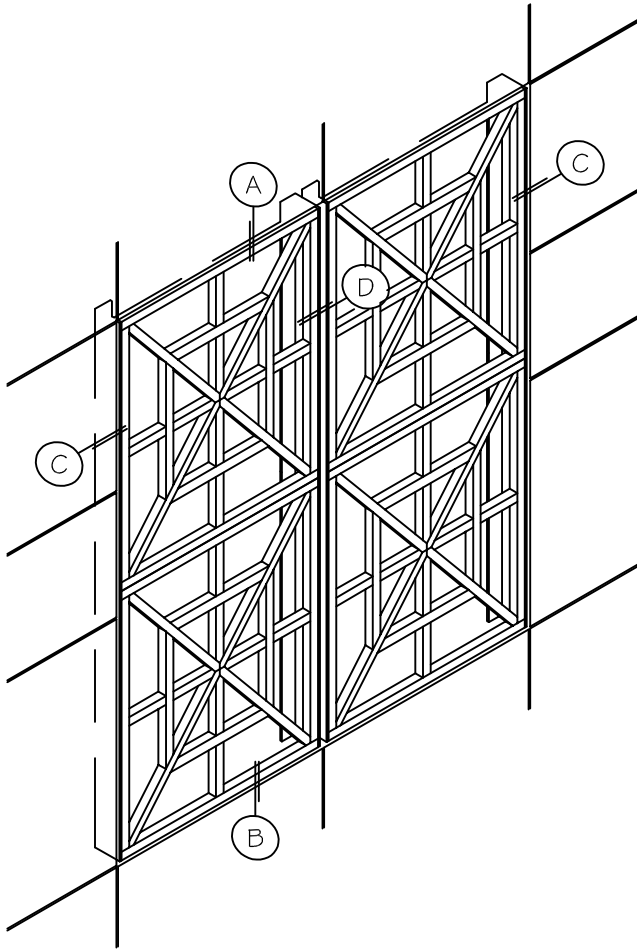
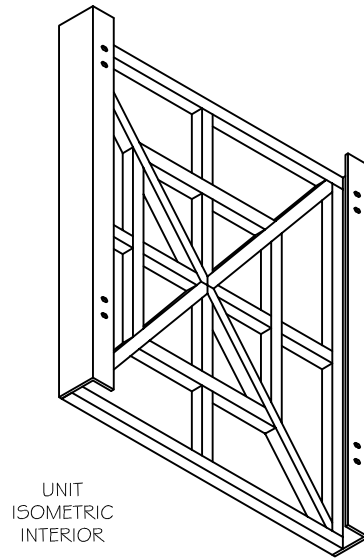
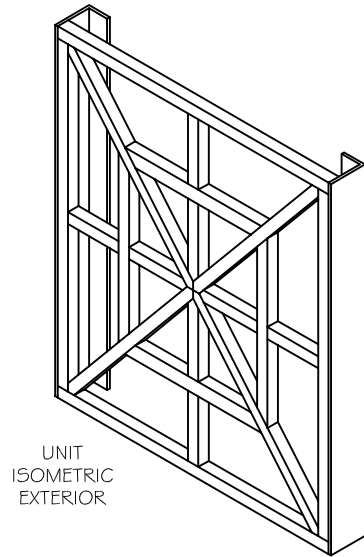


SCREEN WALL - CUSTOM TUBE

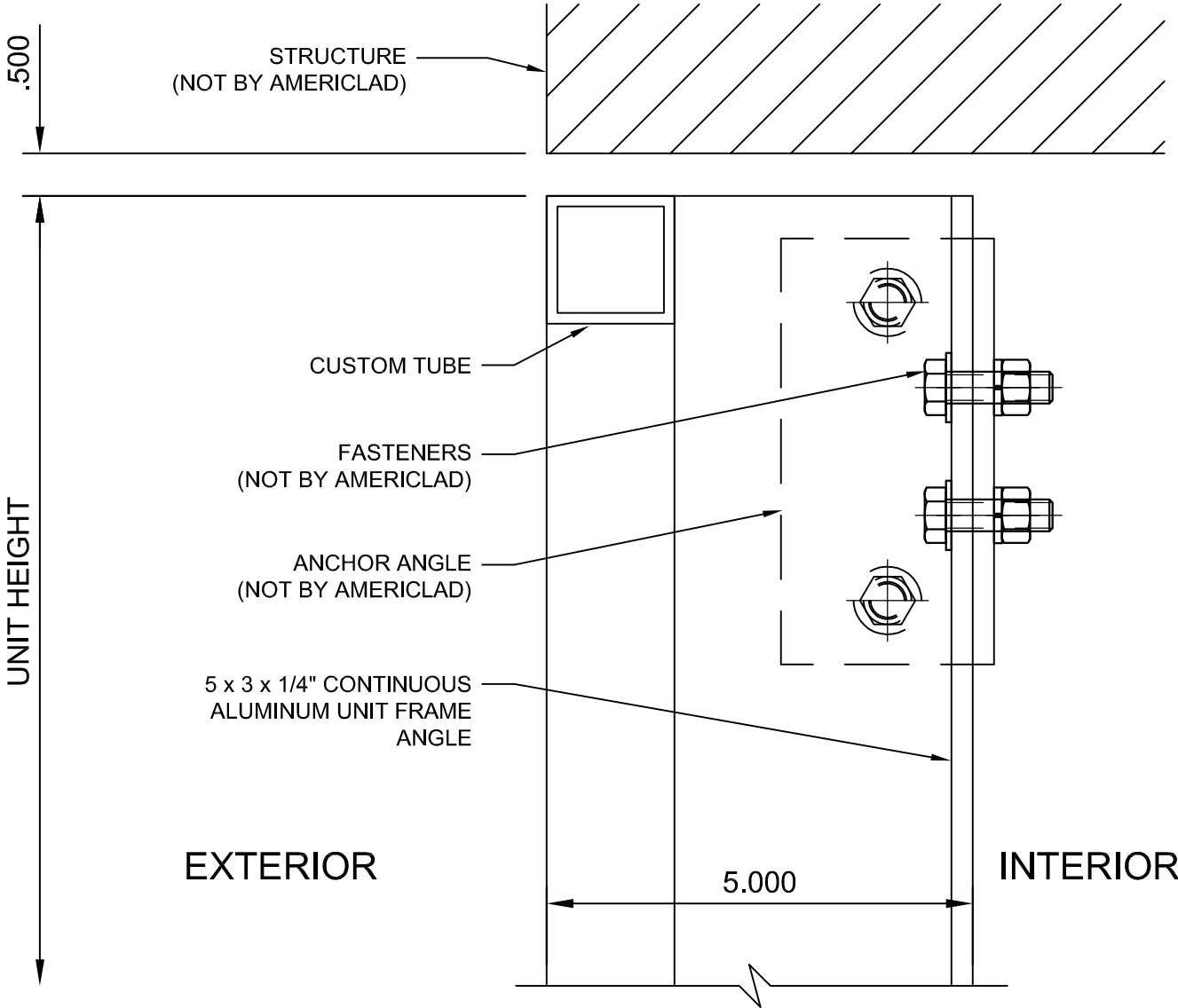


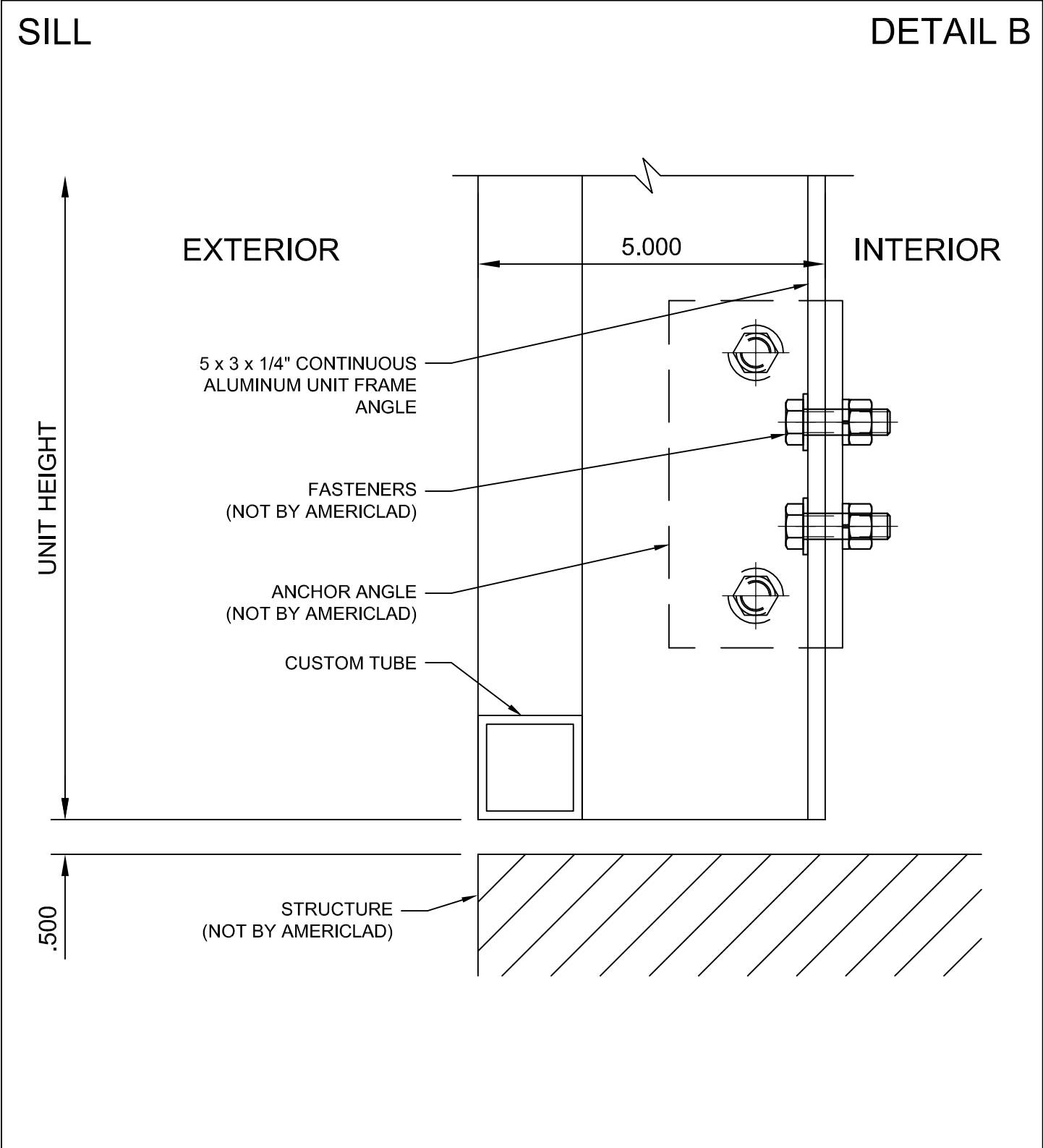
- (A) HEAD
- (B) SILL
- (C) JAMB
- (D) INTERMEDIATE VERTICAL
- (E) SCREEN COMPONENTS

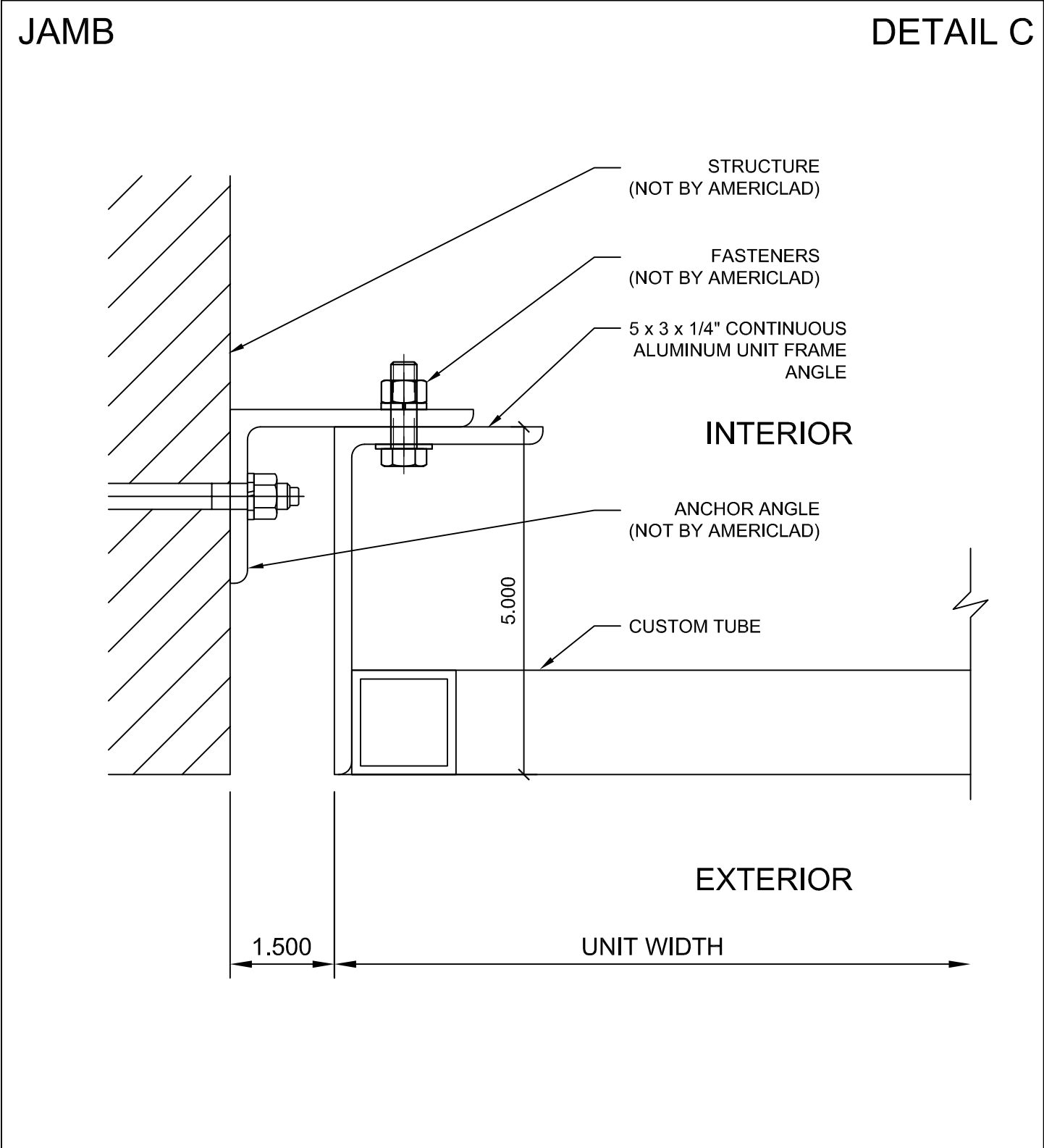


HEAD

DETAIL A



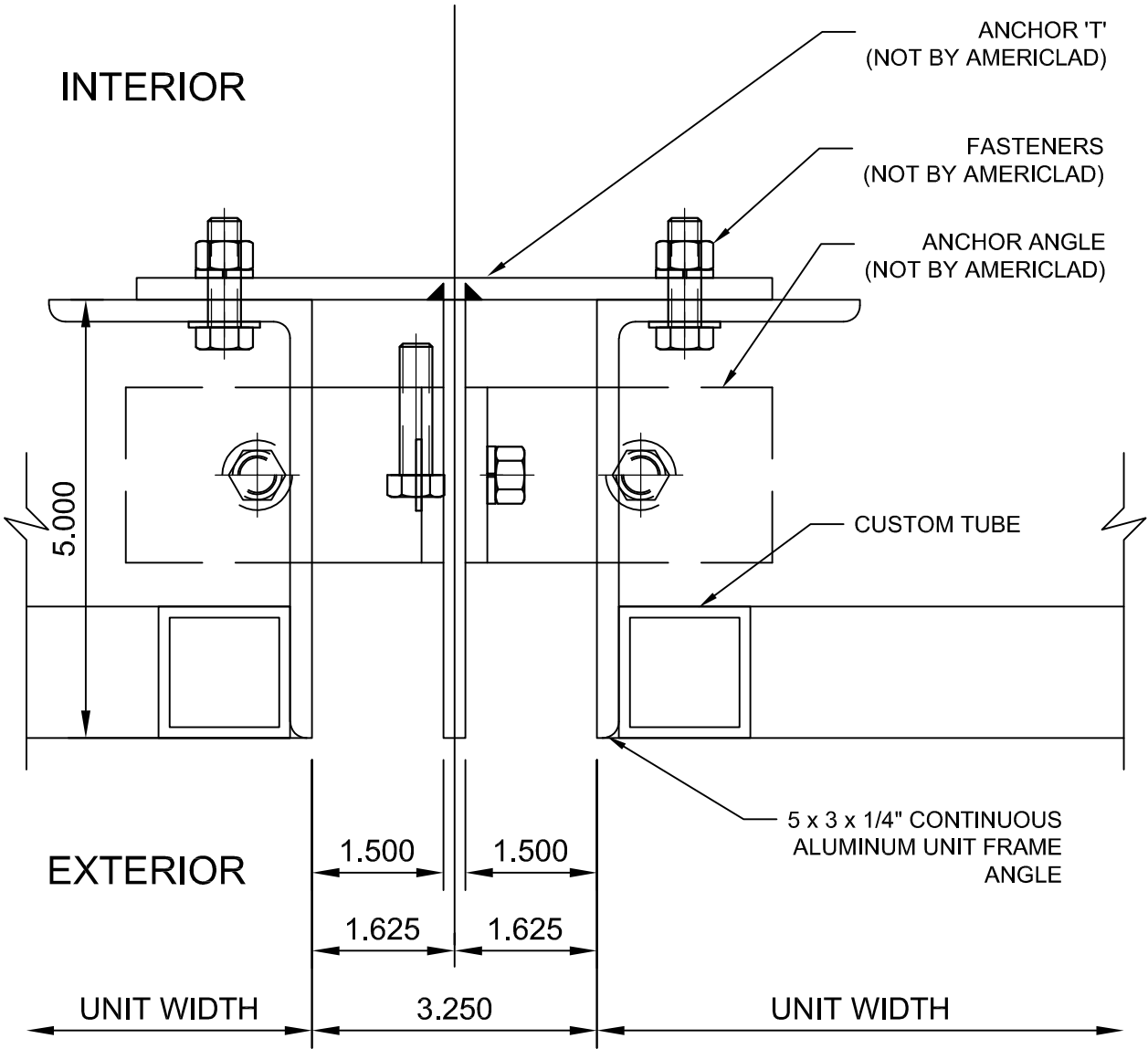




COPYRIGHT AMERICLAD, LLC

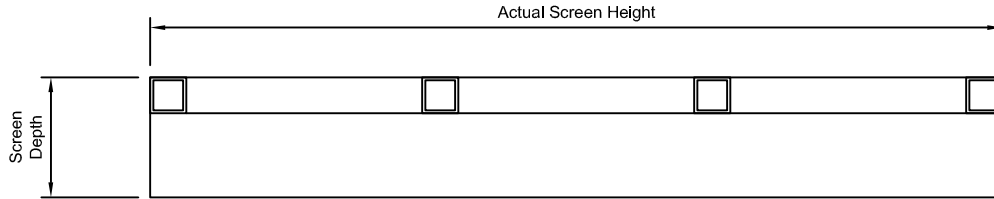
INTERMEDIATE VERTICAL

DETAIL D

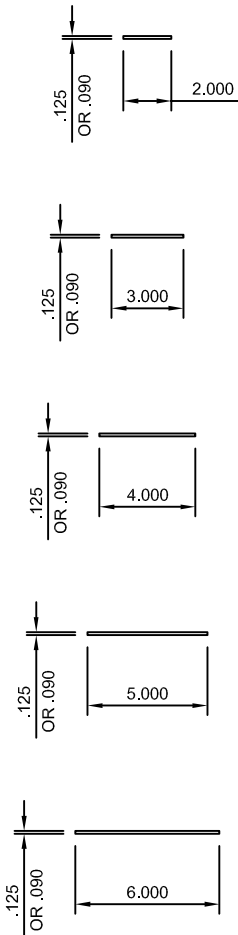


SCREEN COMPONENTS

DETAIL E



STANDARD PLATE & TUBES



Round tubes come in 2 1/4" or 3 3/4" and 5 5/8" dia. custom sizes are also available upon request.



Rectangular tubes come in 1 1/2" x 1 1/2", 2" x 2", 2" x 4", 1 1/2" x 6", 2" x 6", 2" x 8" & 2" x 10"