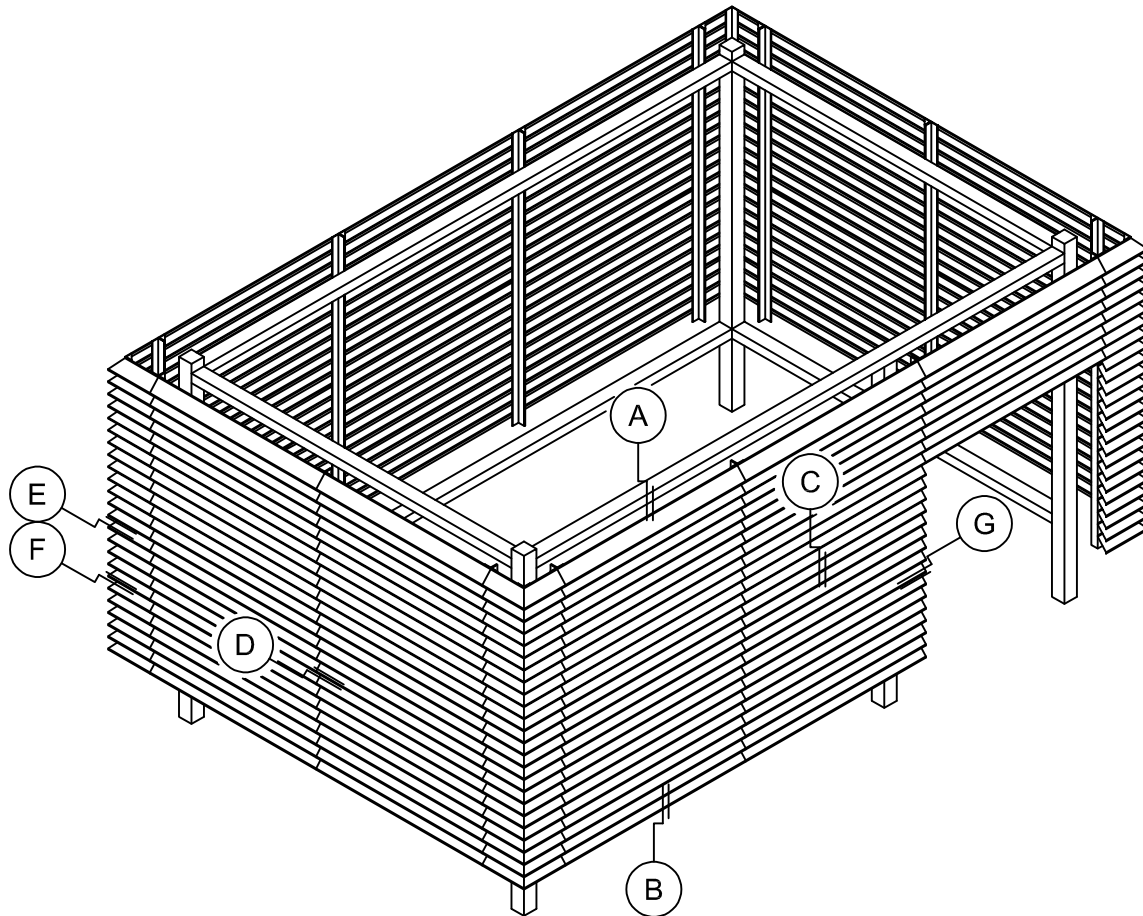
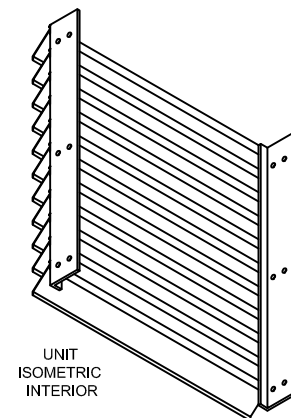
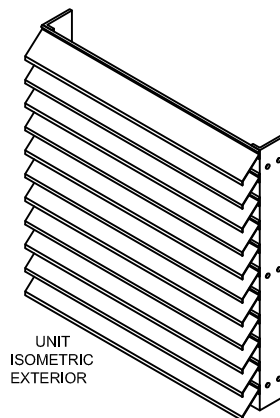
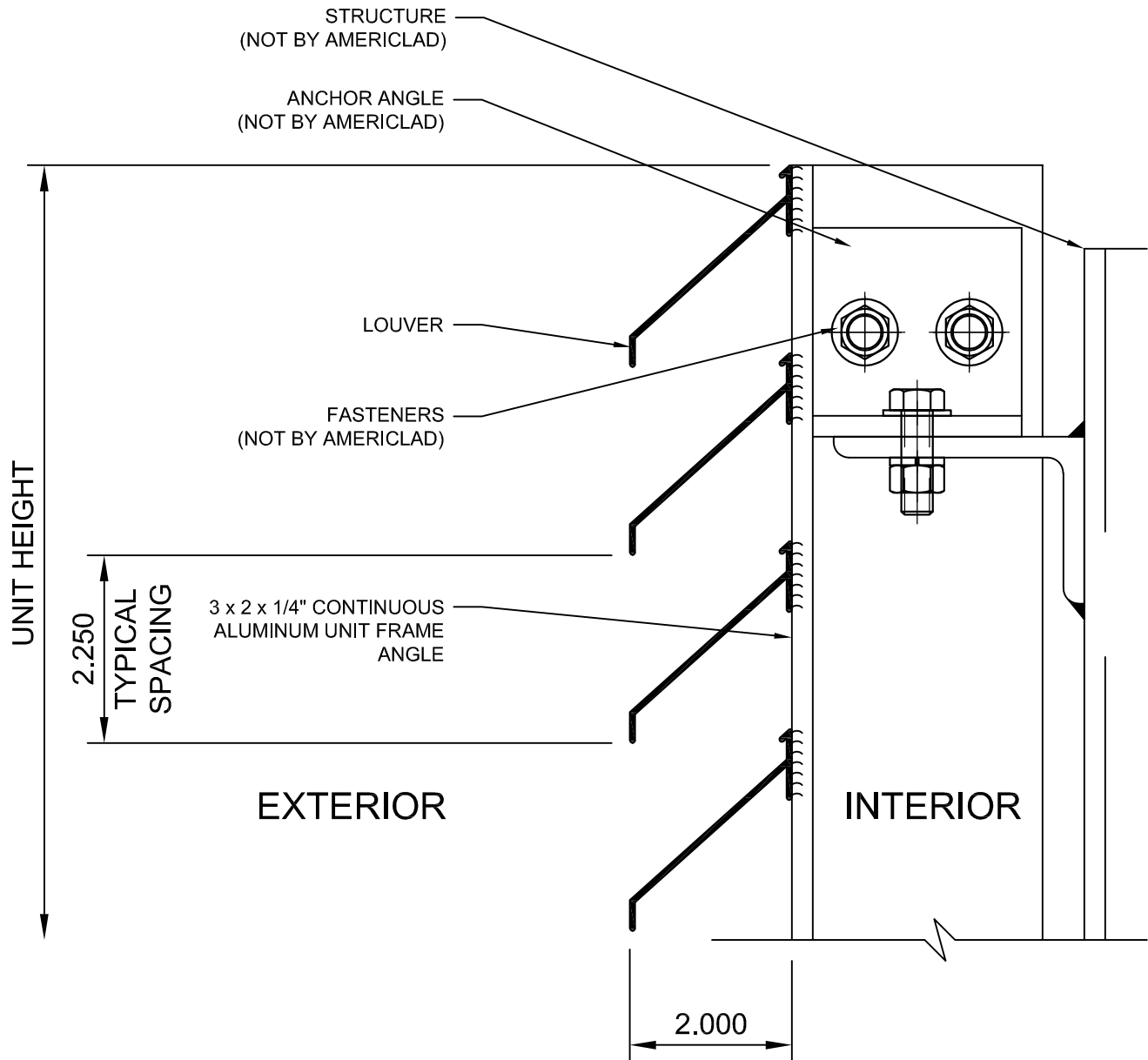


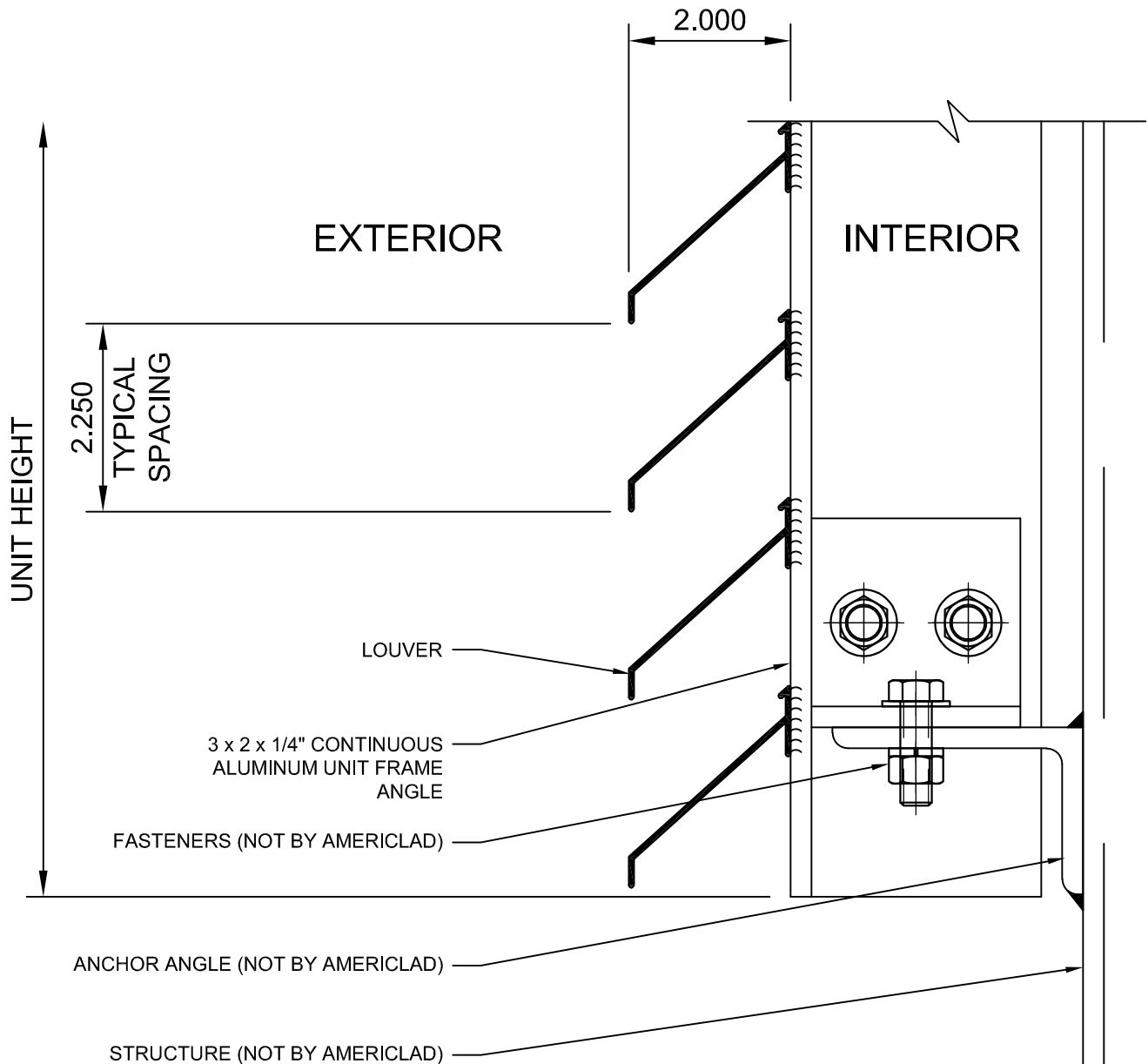
EQUIPMENT SCREEN - 2 INCH

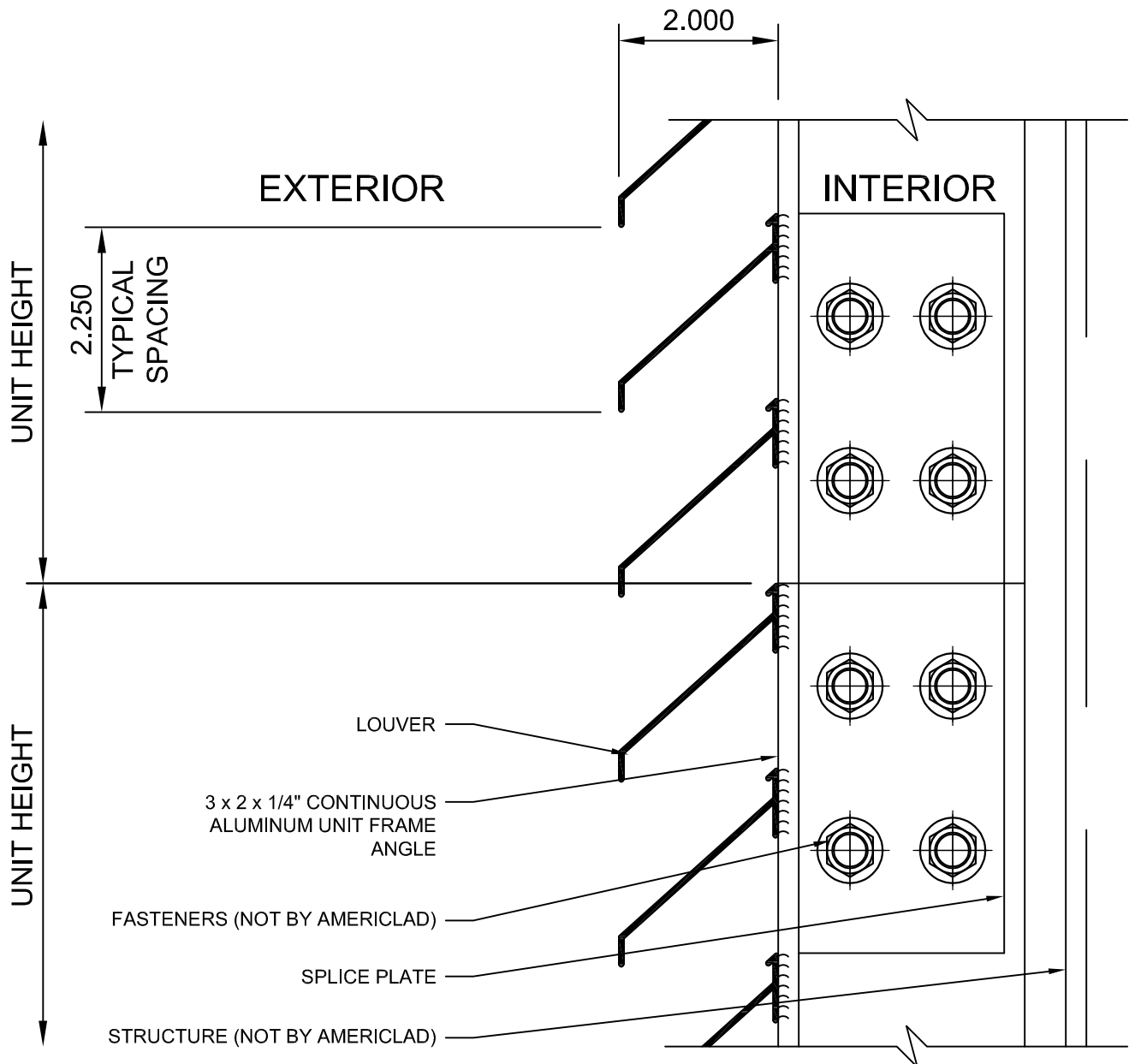


- (A) HEAD
- (B) SILL
- (C) HORIZONTAL SPLICE
- (D) INTERMEDIATE VERTICAL
- (E) CORNER (1)
- (F) CORNER (2)
- (G) JAMB



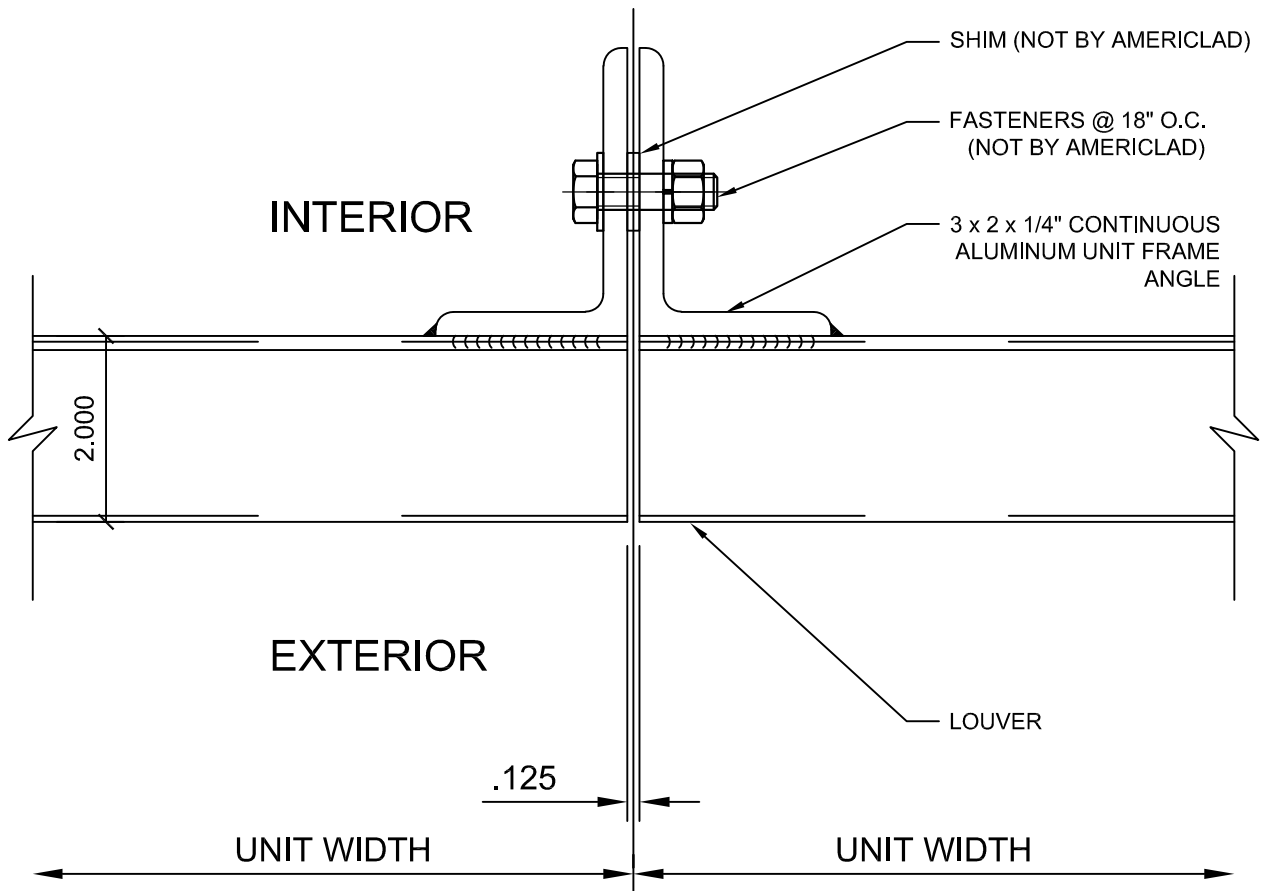
HEAD**DETAIL A**

SILL**DETAIL B**

HORIZONTAL SPLICE**DETAIL C**

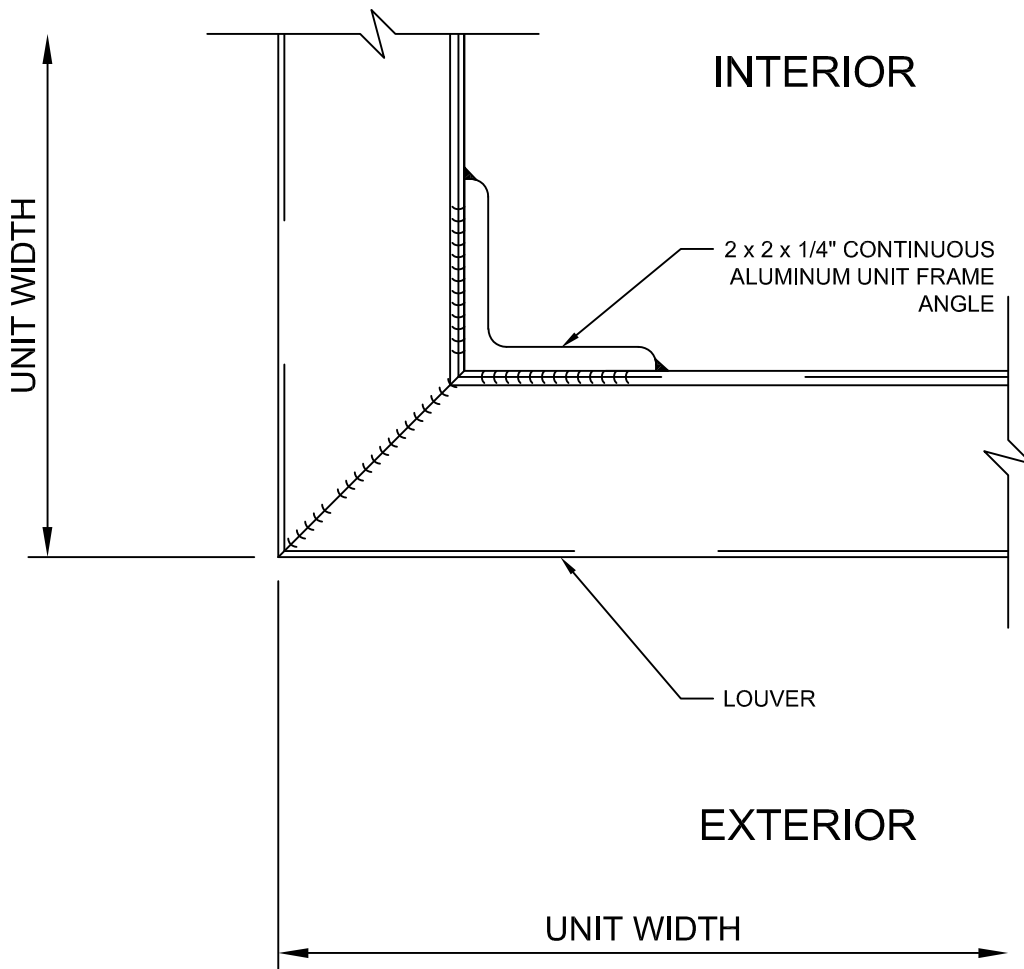
INTERMEDIATE VERTICAL

DETAIL D



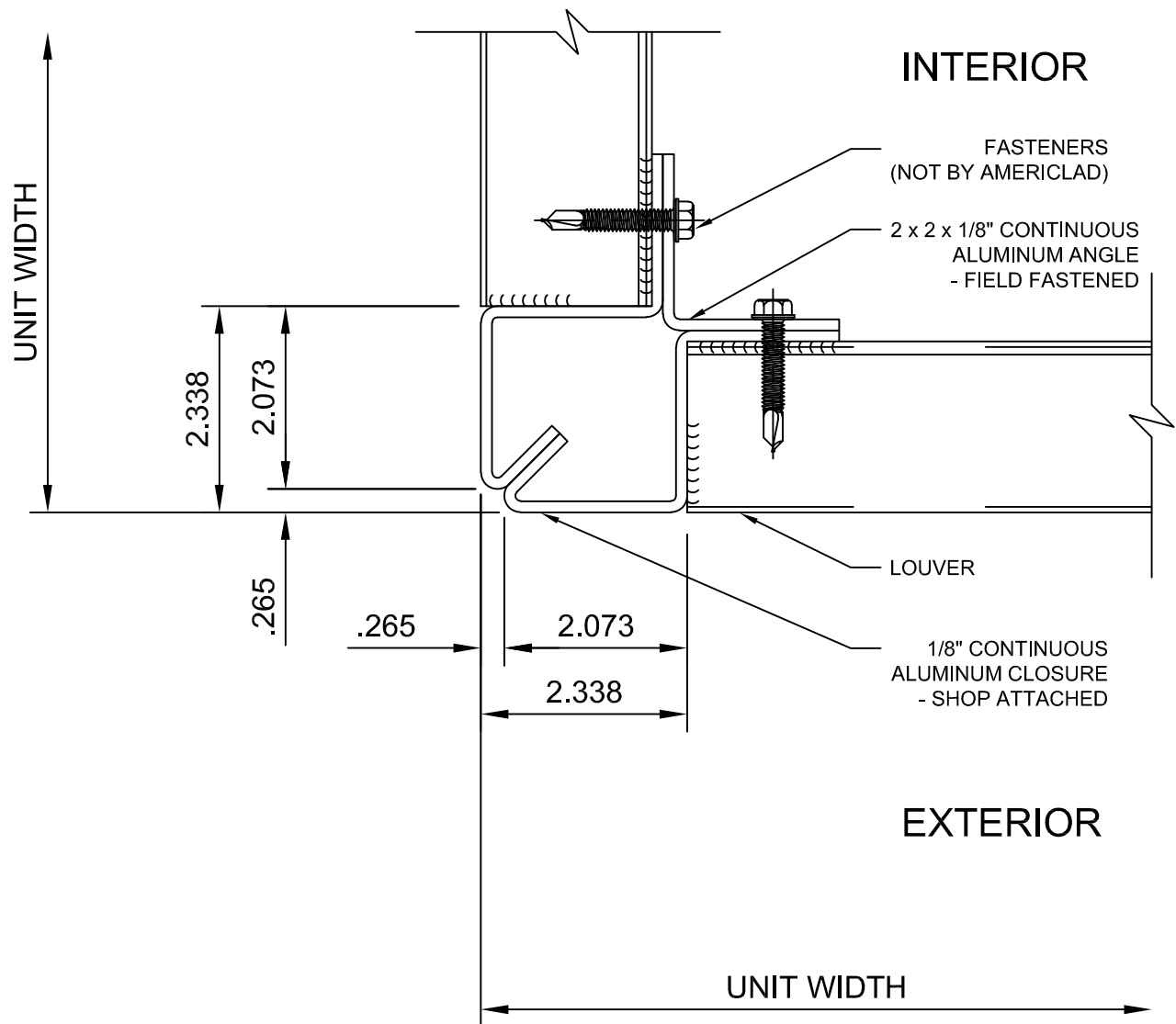
CORNER (1)

DETAIL E



CORNER (2)

DETAIL F



JAMB

DETAIL G

