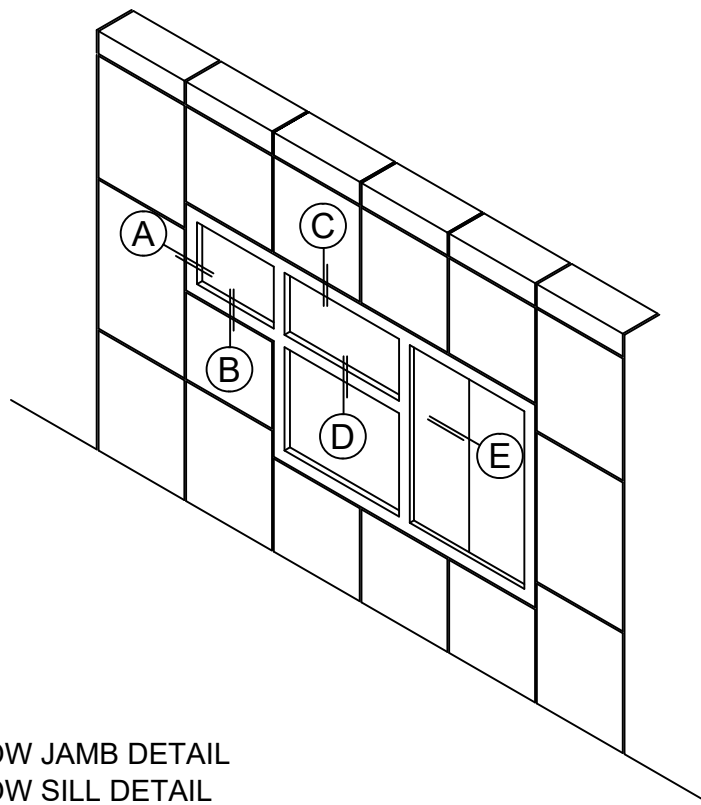
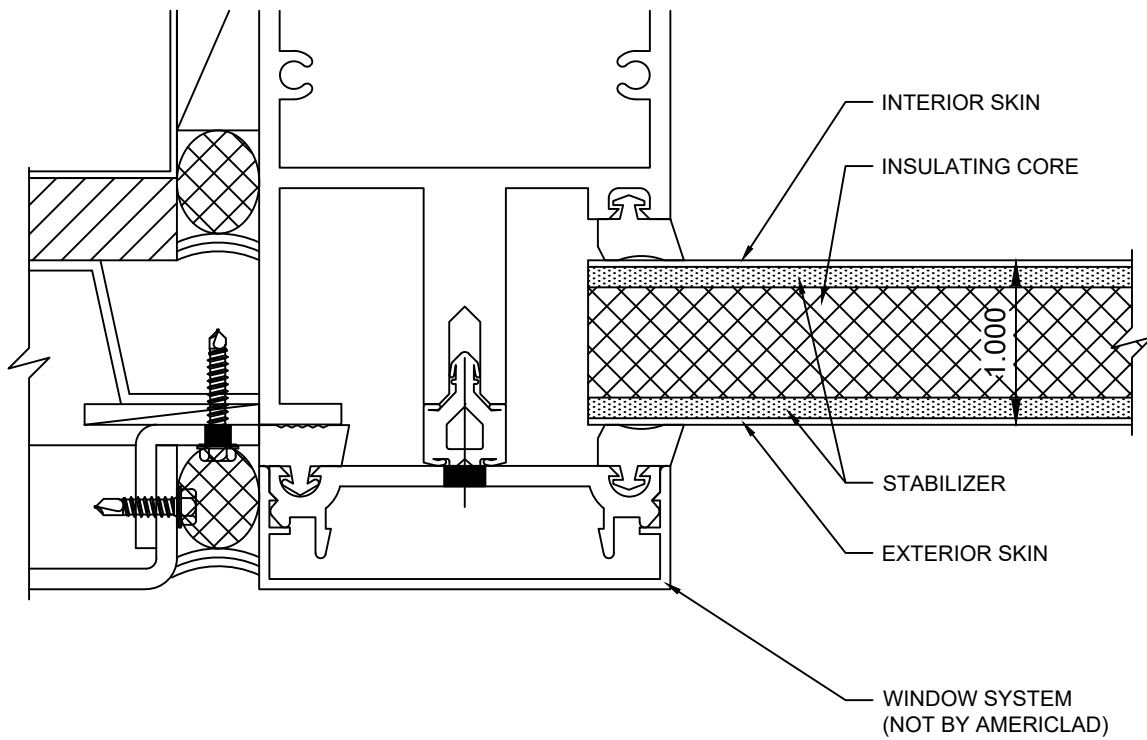


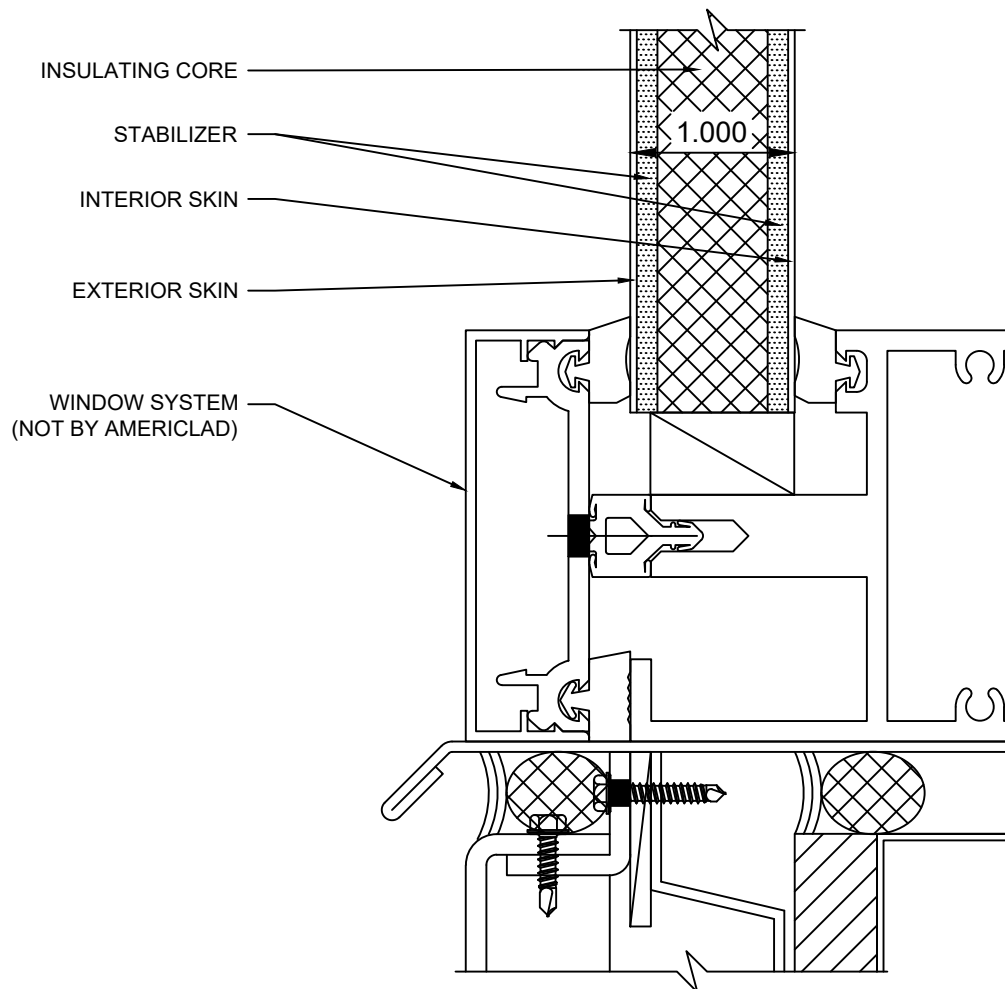
**ALUMINUM INSULATED 1" INFILL PANEL SYSTEM**

- (A) WINDOW JAMB DETAIL
- (B) WINDOW SILL DETAIL
- (C) WINDOW HEAD DETAIL
- (D) WINDOW INTERMEDIATE DETAIL
- (E) BUTT JOINT DETAIL

WINDOW JAMB DETAIL

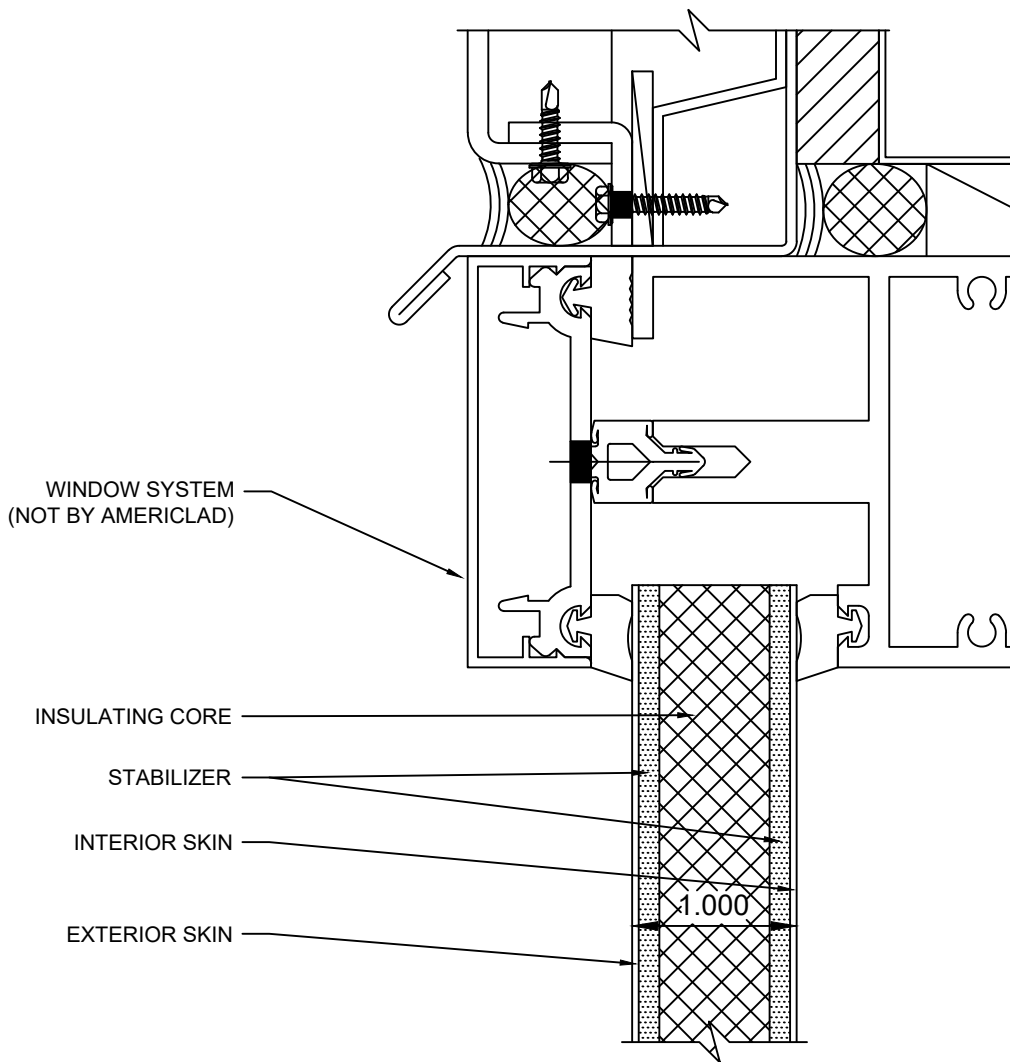
DETAIL A

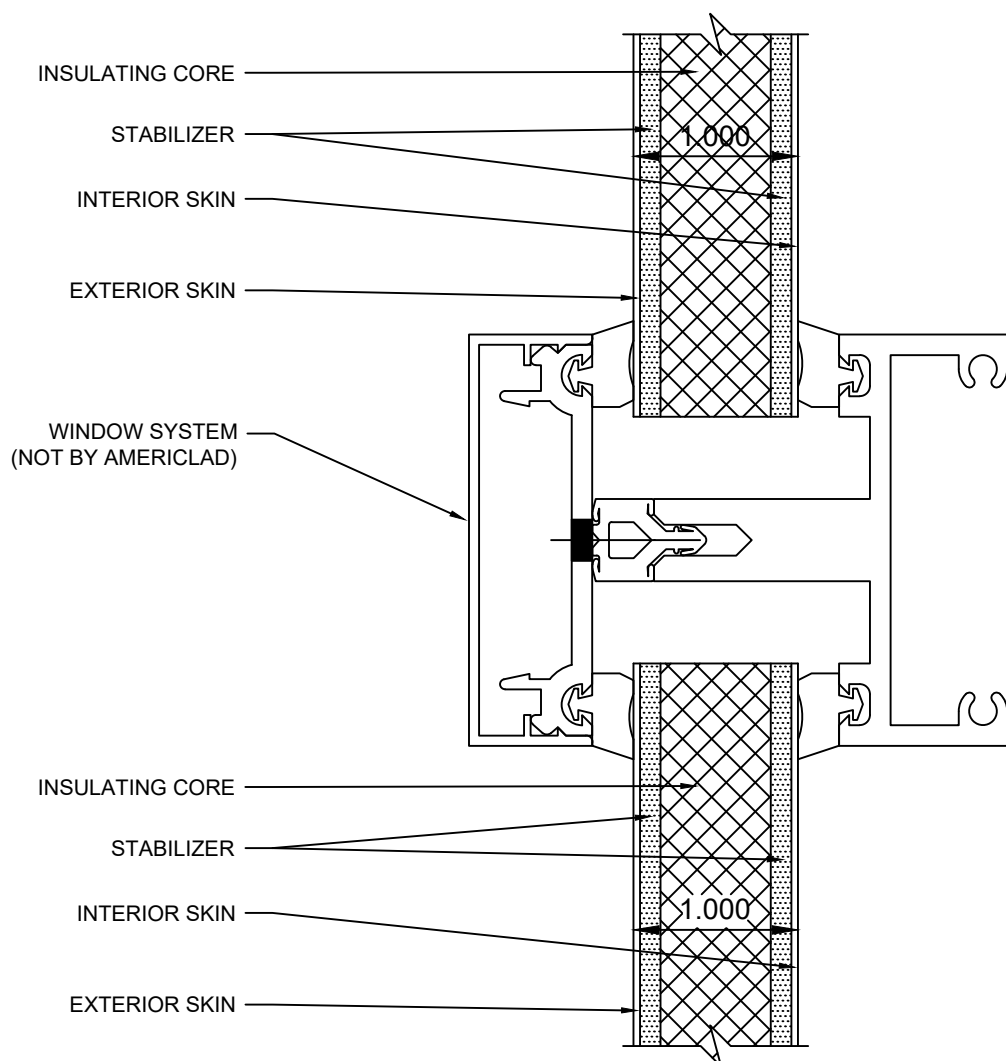


**WINDOW SILL DETAIL****DETAIL B**

WINDOW HEAD DETAIL

DETAIL C



**INSULATED PANEL AT HORIZONTAL****DETAIL D**

BUTT JOINT DETAIL

DETAIL E

