



AMERICLAD® AC-720 SW Screen Wall  
www.americlad.com  
866-260-4047

MANUFACTURER:  
Quality Metalcrafts, LLC  
21925 Industrial Blvd.  
Rogers, MN 55374  
Telephone: (866) 260-4047  
Fax: (763) 255-3399  
Email: [info@americlad.com](mailto:info@americlad.com)

**AMERICLAD  
AC-720 SW (Egg  
Crate) Screen  
Wall**

## **SECTION 10 82 00 EXTERIOR SCREEN WALL DEVICES**

### **PART 1 – GENERAL**

#### **1.1 RELATED DOCUMENTS**

- A. The drawings and provisions of the General Conditions, and the sections included under Division 1 specification sections , apply to this section

#### **1.2 SUMMARY**

- A. This section includes vertical aluminum screen wall assemblies

#### **1.3 PERFORMANCE REQUIREMENTS**

- A. Structural performance: provide exterior screen wall device assemblies capable of withstanding the effects of load and stresses from wind loads, dead loads, snow loads and normal and expected thermal movement without evidence of permanent defects of the assemblies. System design for a mechanically fastened assembly to substructure.
  - 1. Wind Load as required by applicable building code
  - 2. Dead Load as required by applicable building code
  - 3. Snow Load as required by applicable building code
  - 4. Snow Drift Load as required by applicable building code
- B. Design screen wall device to eliminate vibration harmonics; wind whistles; and noises cause by thermal movement.

#### **1.4 SUBMITTALS**

- A. Product Data: Manufacturer’s company literature
- B. Shop Drawings: Submit shop drawings showing layout, profiles and product components, including anchorage, accessories, finish.



- C. Structural Calculations: submit complete engineering calculations to support design.
- D. Finish Samples: submit color samples for final approval

### **1.5 QUALITY ASSURANCE**

- A. Engineering Qualifications: Provide Engineering calculations for the screen wall system and mounting brackets, prepared by an engineer registered in the state the project is located
- B. Manufacturer Qualifications: Minimum of Five years experience in manufacturing of exterior screen wall devices
- C. Installer Qualifications: Acceptable to manufacturer

### **1.6 DELIVERY, STORAGE AND HANDLING**

- A. Delivery: deliver screen wall devices in manufacturer's crates packaged for long haul transit
- B. Storage: store materials in a dry and safe area
- C. Handling: handle materials to avoid any damage to materials and finishes

### **1.7 WARRANTY**

- A. The contractor must warrant the materials to be free of defects in accordance with the general conditions. Finish warranty shall be extended by paint manufacturer's standard warranty.

## **PART 2 – PRODUCTS**

### **2.1 MANUFACTURER**

- A. Quality Metalcrafts, LLC, 21925 Industrial Boulevard, Rogers, Minnesota 55374, Telephone (866) 260-4047, [www.americlad.com](http://www.americlad.com)
  - a. Americlad screen wall system

### **2.2 MATERIALS**

- A. Aluminum Sheet: ASTM B209, Alloy 6061-T6, 5005-H34 or 3003-H14
- B. Aluminum Extrusions: ASTM B221, Alloy 6063-T6 and/or 6061-T6

### **2.3 FABRICATION**

- A. Factory assembled screen wall system for a turnkey installation
- B. Screen wall element will be mechanically fastened with stainless steel screws to the outriggers. Spot welds only to be used where mechanical fastening of parts is prohibitive.
- C. Maintain blade spacing per approved shop drawings



## **2.4 VERTICAL SCREEN WALL DEVICES**

- A. Bracket: Specify bracket profile and thickness
- B. Outriggers: Specify size and type from manufacturer's selection
- C. Egg Crate: Specify size from manufacturer's selection

## **2.5 SCREEN WALL DESIGN**

### **a. Series AC-720 SW (Egg Crate)**

## **2.6 FINISHES**

- A. High Performance Coating: Organic coating: Clean and prime exposed aluminum surfaces and apply a Kynar 500 finish conforming to AAMA 2605, color to be determined by the architect
- B. Class I, Clear Anodic Finish: AA-M12C22A41, mechanical finish, nonspecular as fabricated. Coating to have an anodic coating of 0.7 mil (0.018 mm) thickness
- C. Class I, Color Anodic Finish: AA-M12C22A42/A44, mechanical finish, nonspecular as fabricated. Color to be determined by Architect. Coating to have an anodic coating of 0.7 mil (0.018 mm) thickness

## **PART 3 – EXECUTION**

### **3.1 PREPARATION**

- A. Coordinate drawings, diagrams, fixtures, instructions and instructions for installation of anchors to structure.

### **3.2 INSTALLATION**

- A. Attach anchorage to structure per shop drawing
- B. Install screen wall device units level and plumb

### **3.3 CLEANING AND PROTECTING**

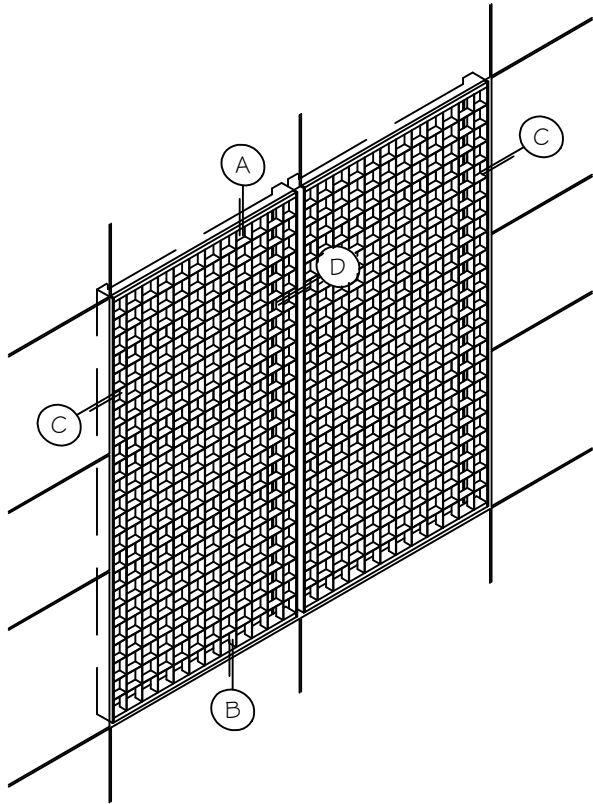
- A. Clean exposed surfaces after installation per manufacturers recommendations
- B. Touch up minor abrasions in finish with touch up paint supplied by finish applicator.

**END OF SECTION**

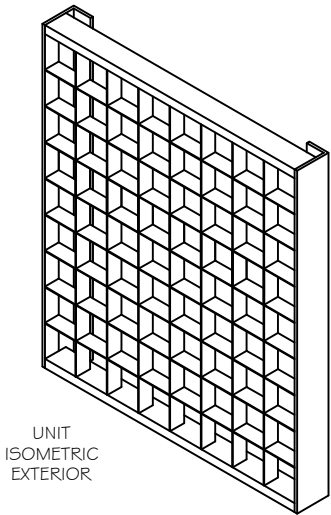


AC-720SW

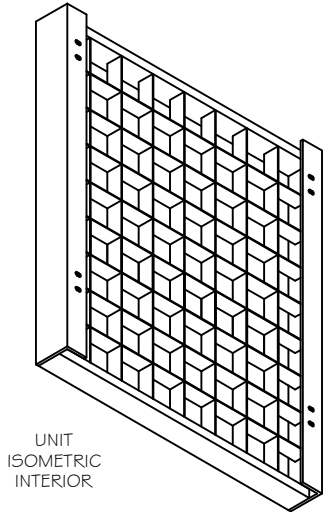
SCREEN WALL - EGGCRATE



- (A) HEAD
- (B) SILL
- (C) JAMB
- (D) INTERMEDIATE VERTICAL
- (E) SCREEN COMPONENTS



UNIT ISOMETRIC EXTERIOR



UNIT ISOMETRIC INTERIOR

COPYRIGHT QUALITY METALCRAFTS, LLC

21925 Industrial Boulevard · Rogers, Minnesota · Toll-Free: 1-866-260-4047 · americlad.com

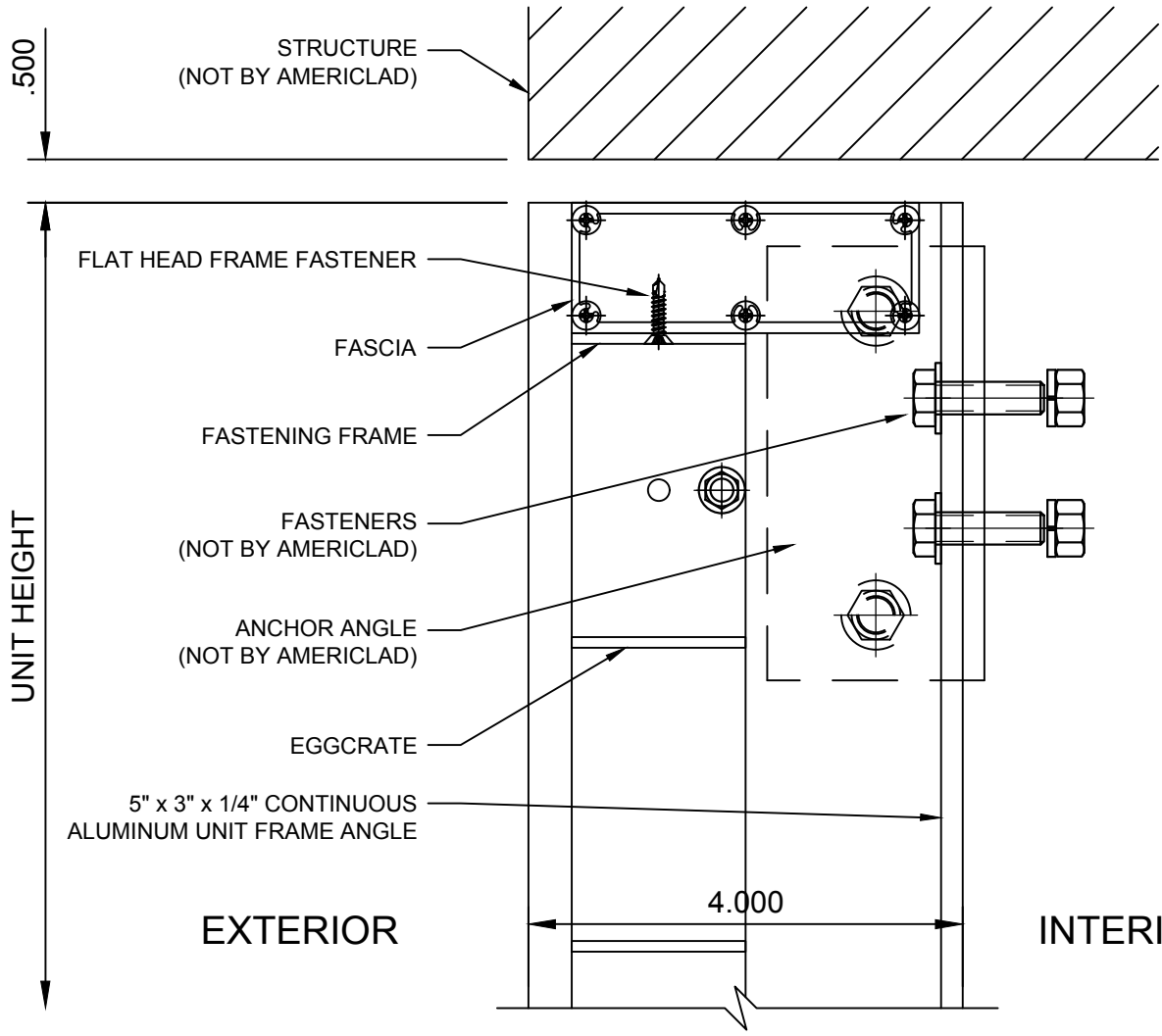
Architectural Metal Products



AC-720SW

HEAD

DETAIL A



COPYRIGHT QUALITY METALCRAFTS, LLC

21925 Industrial Boulevard · Rogers, Minnesota · Toll-Free: 1-866-260-4047 · americlad.com

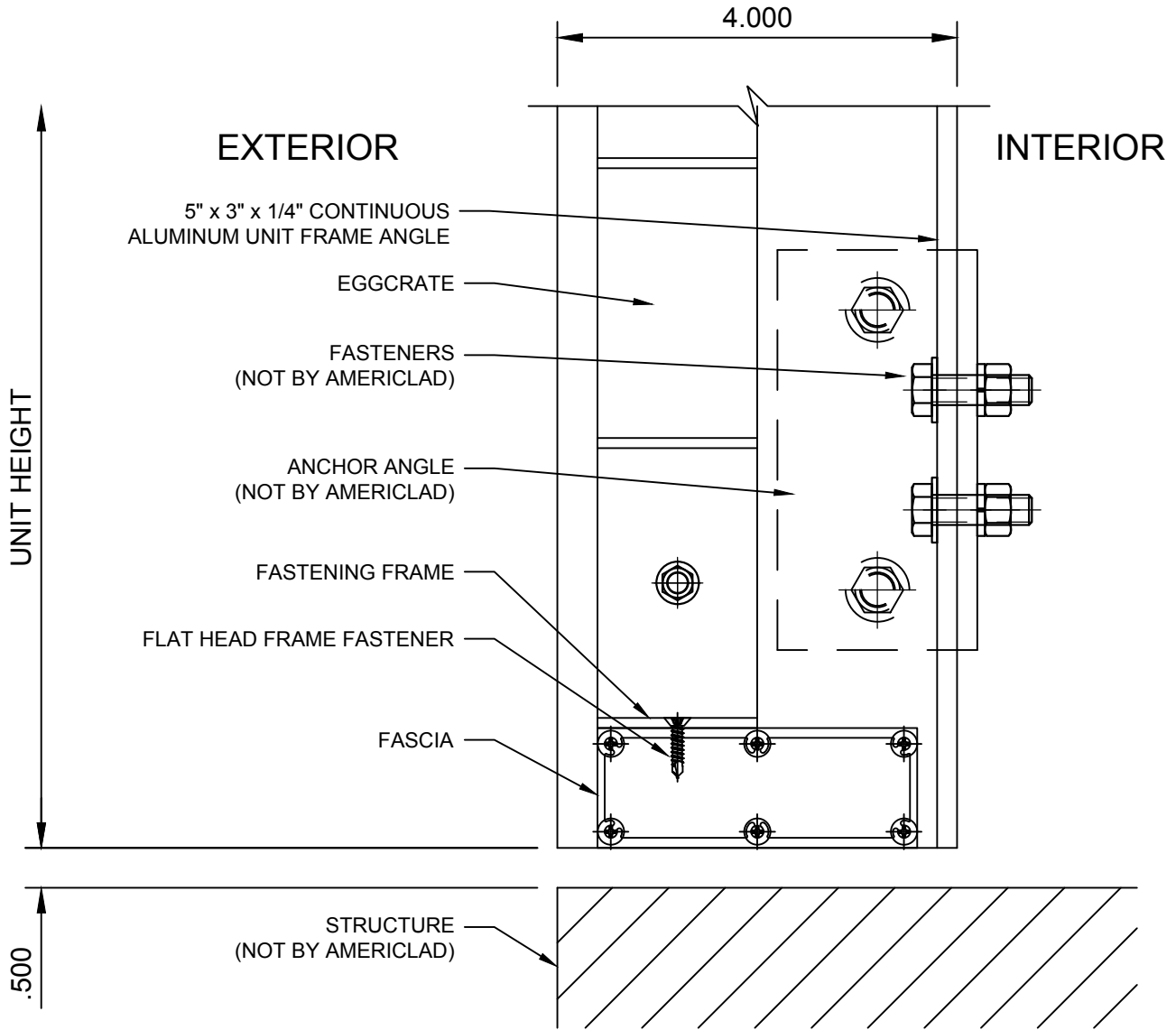
Architectural Metal Products



AC-720SW

SILL

DETAIL B



COPYRIGHT QUALITY METALCRAFTS, LLC

21925 Industrial Boulevard · Rogers, Minnesota · Toll-Free: 1-866-260-4047 · americlad.com

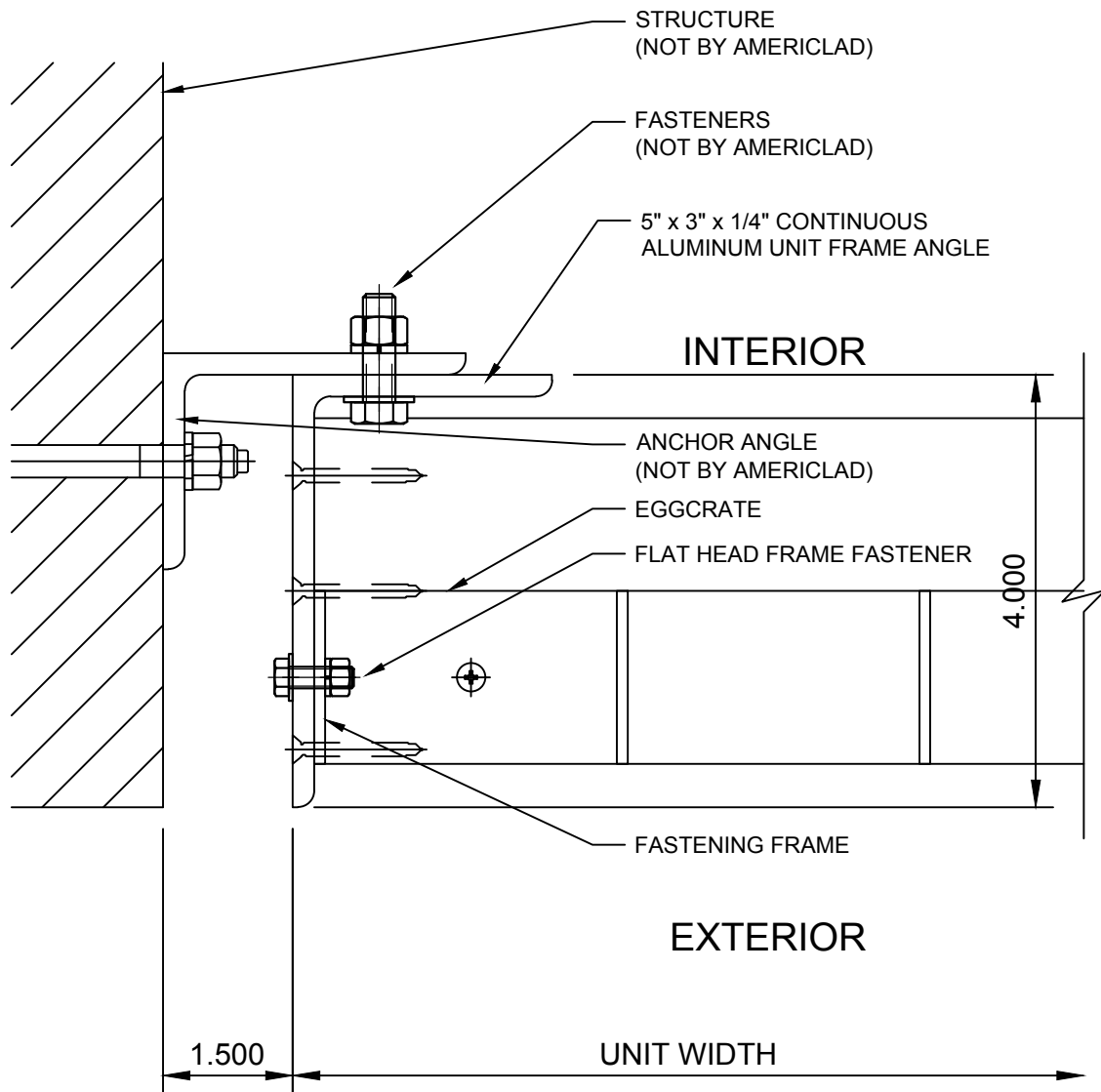
Architectural Metal Products



AC-720SW

JAMB

DETAIL C



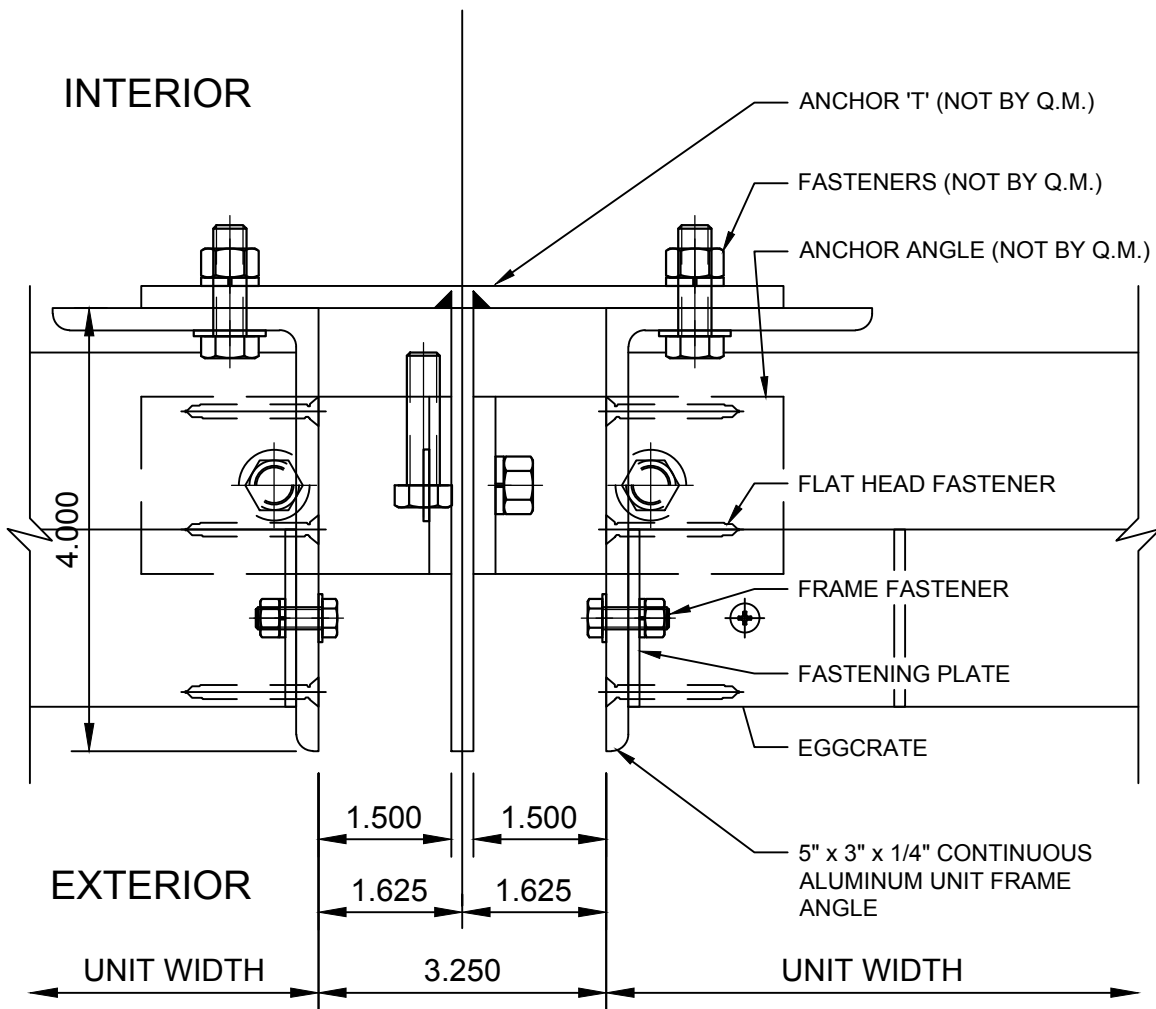
COPYRIGHT QUALITY METALCRAFTS, LLC



AC-720SW

INTERMEDIATE VERTICAL

DETAIL D



COPYRIGHT QUALITY METALCRAFTS, LLC

21925 Industrial Boulevard · Rogers, Minnesota · Toll-Free: 1-866-260-4047 · americlad.com

Architectural Metal Products

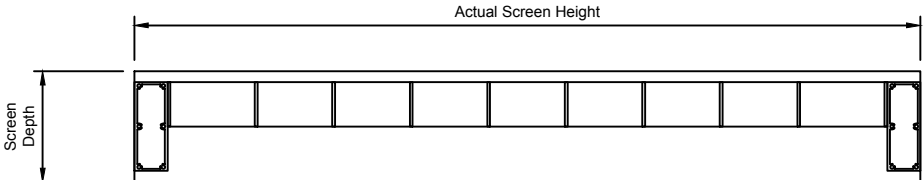




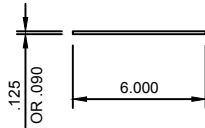
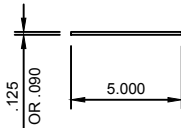
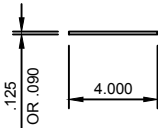
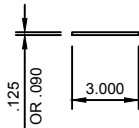
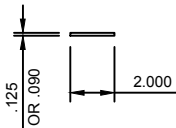
# AC-720SW

## SCREEN COMPONENTS

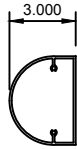
## DETAIL E



### STANDARD EGGCRATES



### STANDARD FASCIA



"D" fascias come in 4", 6", 8" and 10"



Round fascias come in 2 1/4" or 3 3/4" and 5 5/8 dia. custom sizes are also available upon request.



Rectangular fascias come in 2" x 4", 1 1/2" x 6", 2" x 6", 2" x 8" & 2" x 10"

