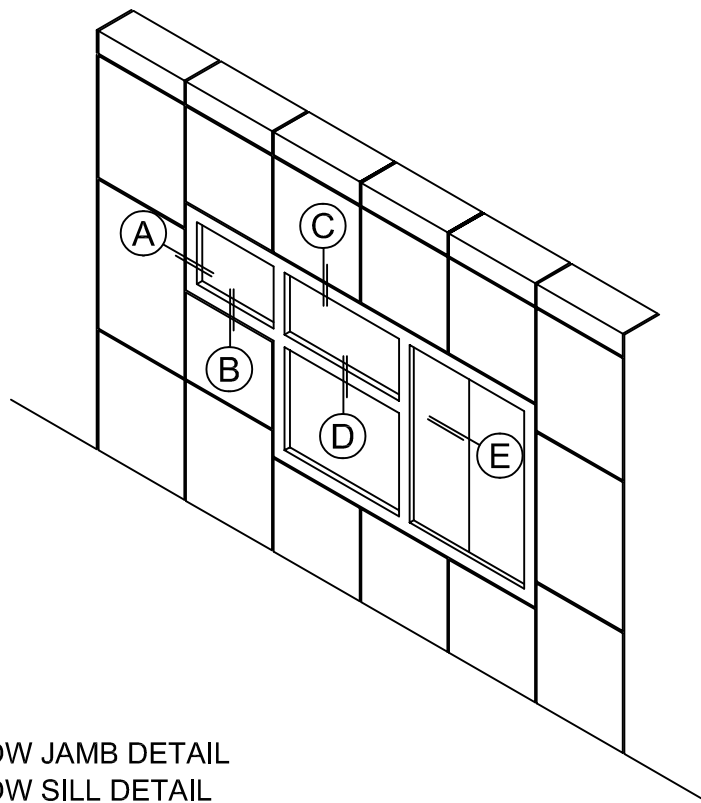
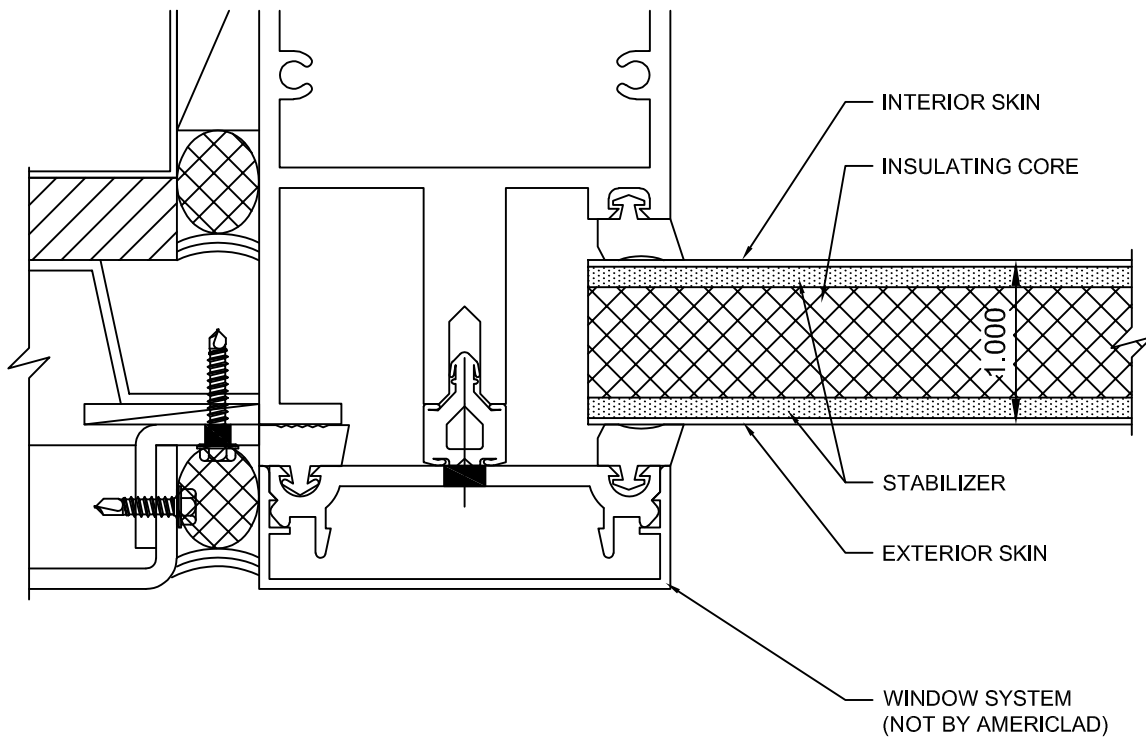


ALUMINUM INSULATED 1" INFILL PANEL SYSTEM

- Ⓐ WINDOW JAMB DETAIL
- Ⓑ WINDOW SILL DETAIL
- Ⓒ WINDOW HEAD DETAIL
- Ⓓ WINDOW INTERMEDIATE DETAIL
- Ⓔ BUTT JOINT DETAIL

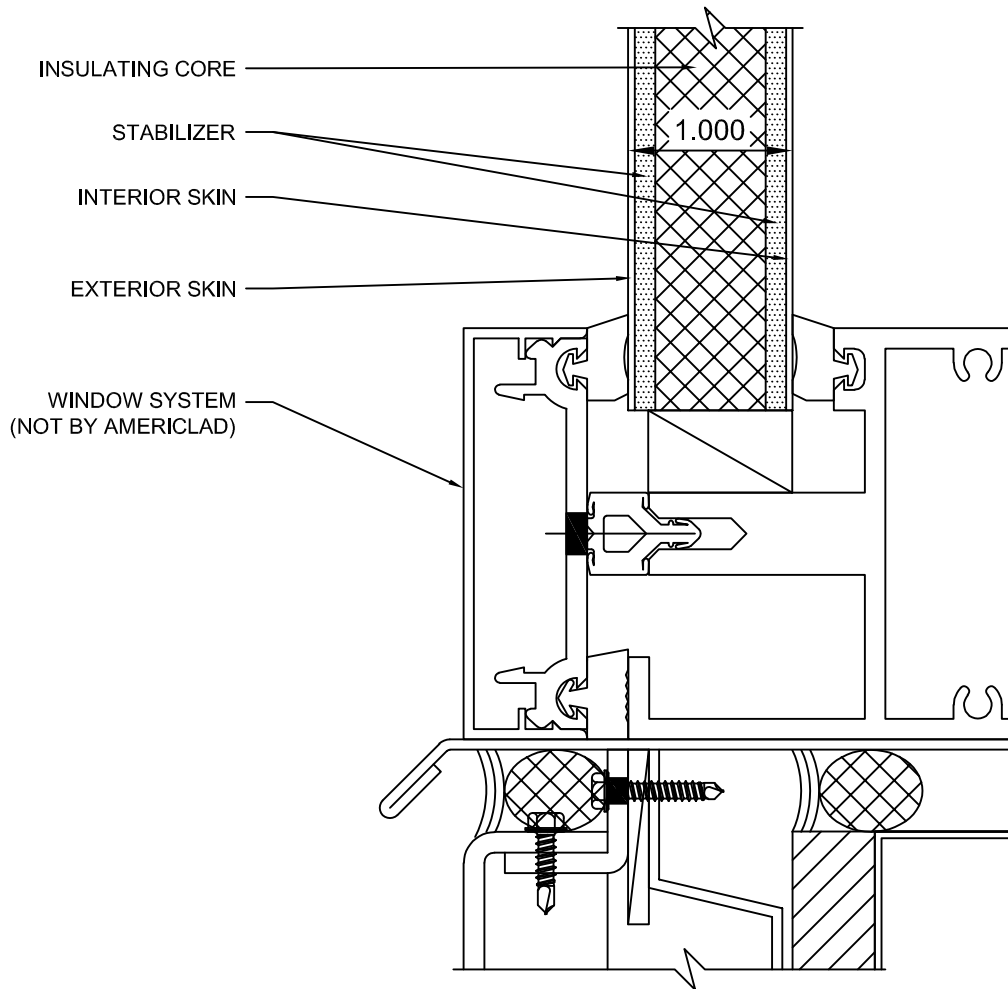
WINDOW JAMB DETAIL

DETAIL A



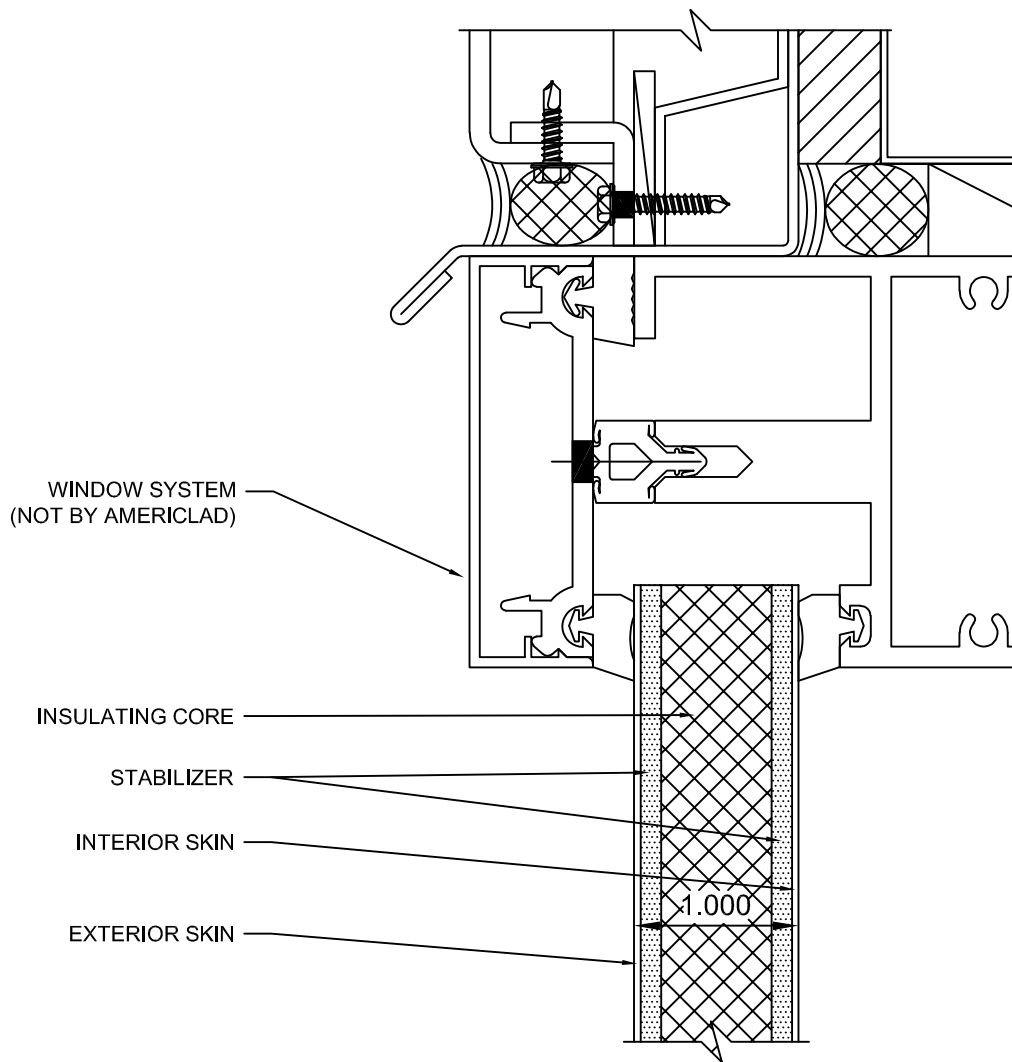
WINDOW SILL DETAIL

DETAIL B



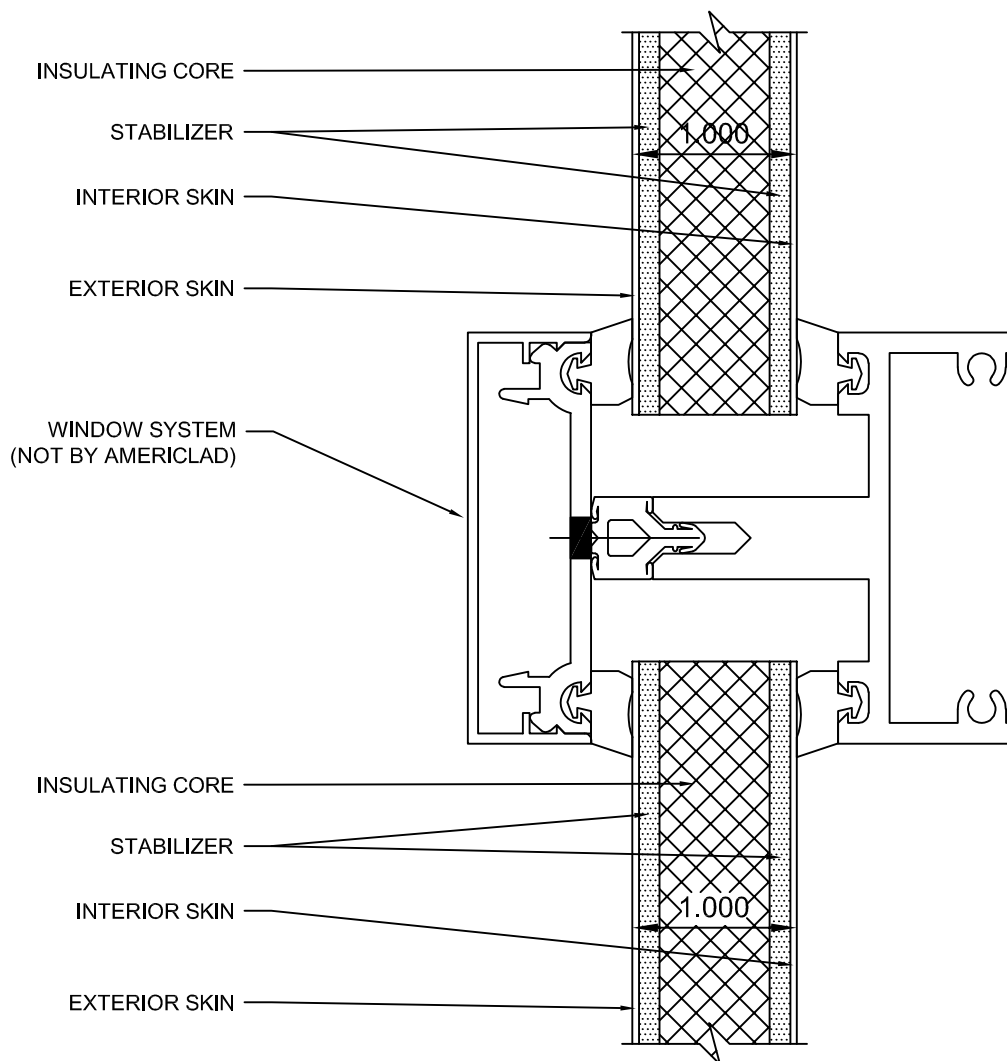
WINDOW HEAD DETAIL

DETAIL C



INSULATED PANEL WITH 23/32"
PLYWOOD CORE

DETAIL D



BUTT JOINT DETAIL

DETAIL E

