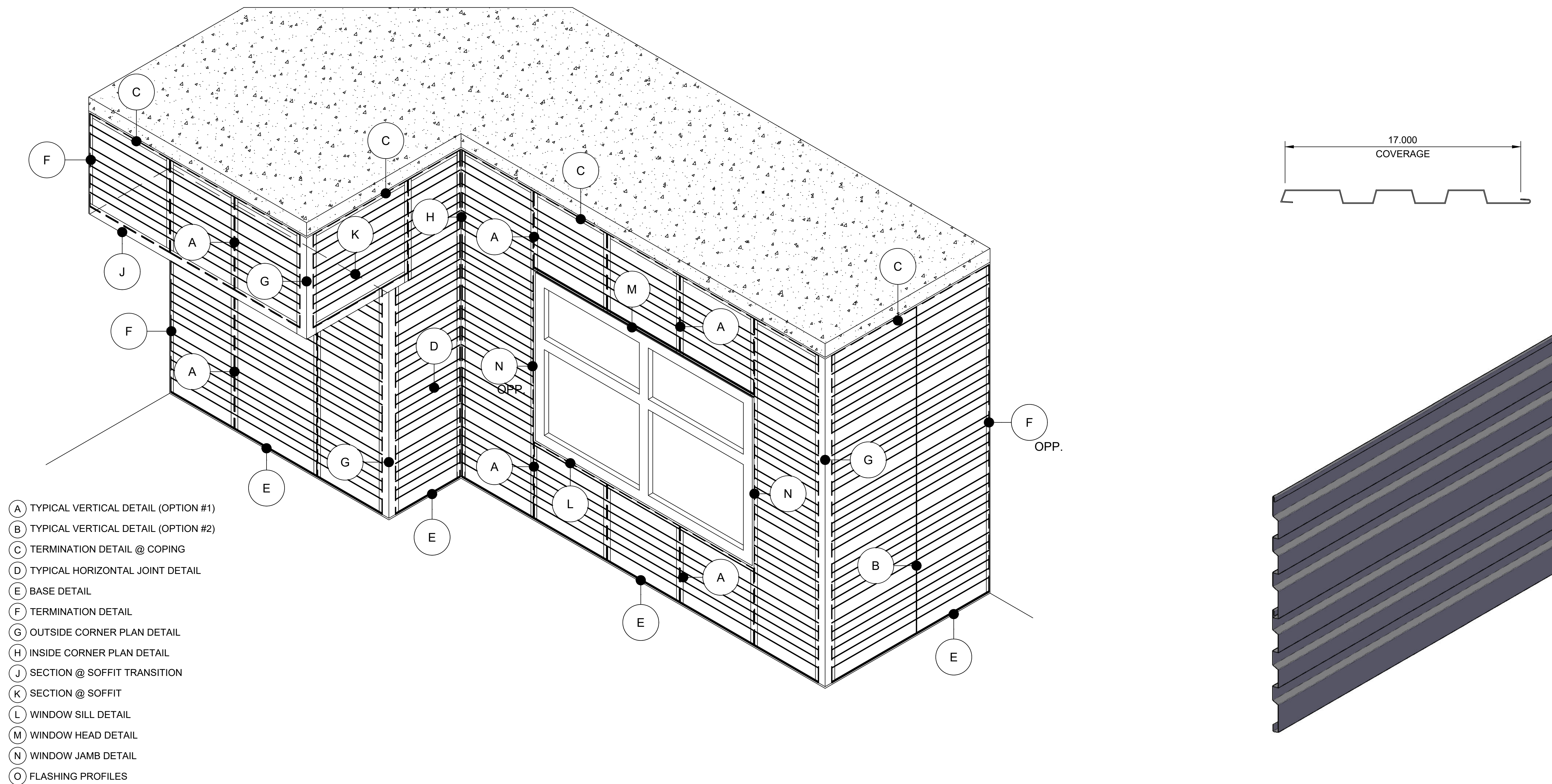


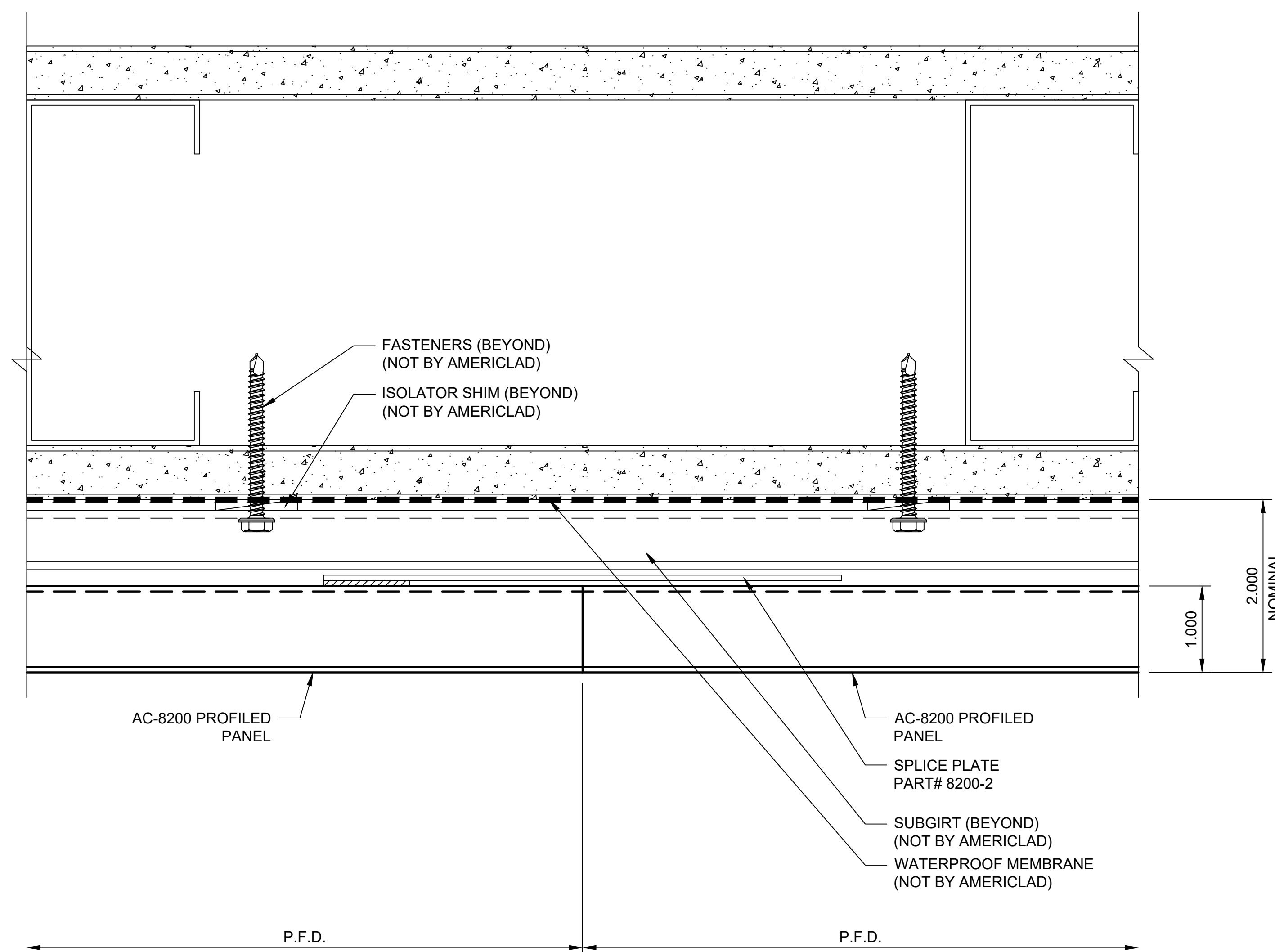
**PROFILED PANEL SYSTEM**
**NOTE:**
**LOAD BEARING WALL COMPONENTS OF EITHER: 16GA STEEL STUDS, STRUCTURAL MEMBERS, MINIMUM 3/4" PLYWOOD OR CONCRETE. GYPSUM BOARD AND CEMENT BOARD ARE NOT A STRUCTURAL COMPONENT.**




TYPICAL VERTICAL DETAIL (OPTION #1)

DETAIL A

**NOTE:**  
 LOAD BEARING WALL COMPONENTS OF EITHER: 16GA STEEL STUDS, STRUCTURAL MEMBERS, MINIMUM 3/4" PLYWOOD OR CONCRETE. GYPSUM BOARD AND CEMENT BOARD ARE NOT A STRUCTURAL COMPONENT.



SYSTEM COMPONENTS



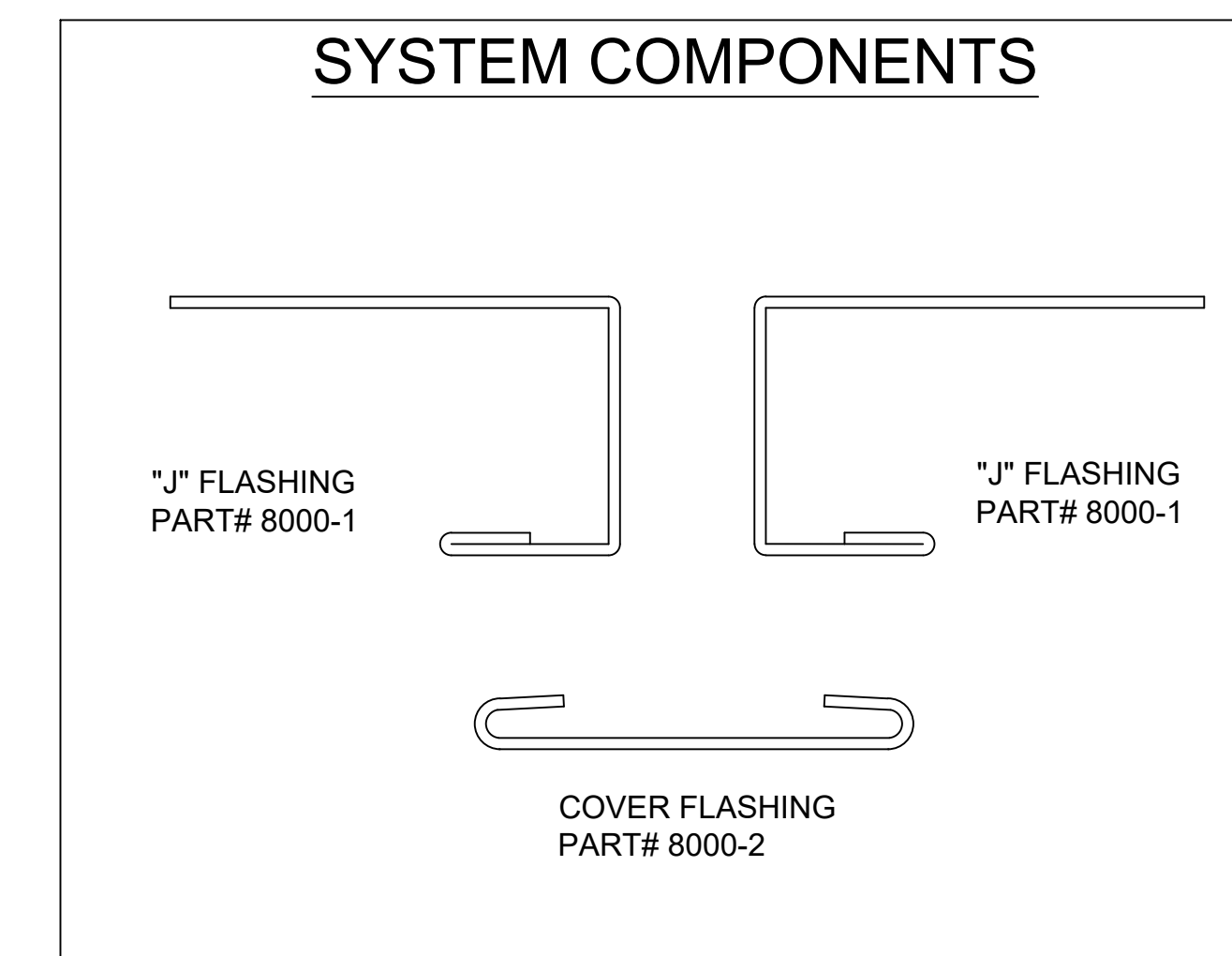
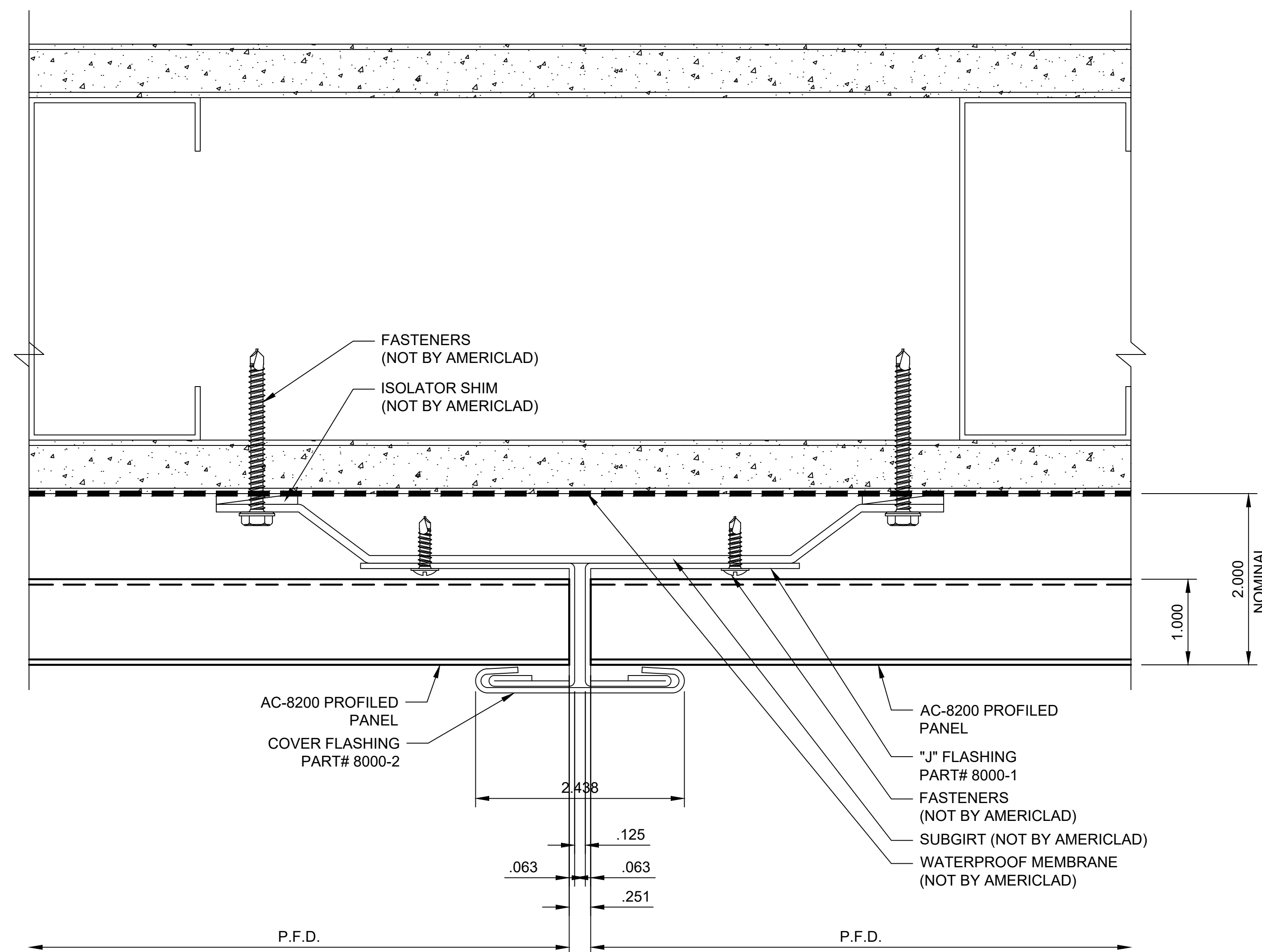
SPLICE PLATE  
PART# 8200-2

NOTE: SPLICE PLATE SHOWN N.T.S.

TYPICAL VERTICAL DETAIL (OPTION #2)

DETAIL B

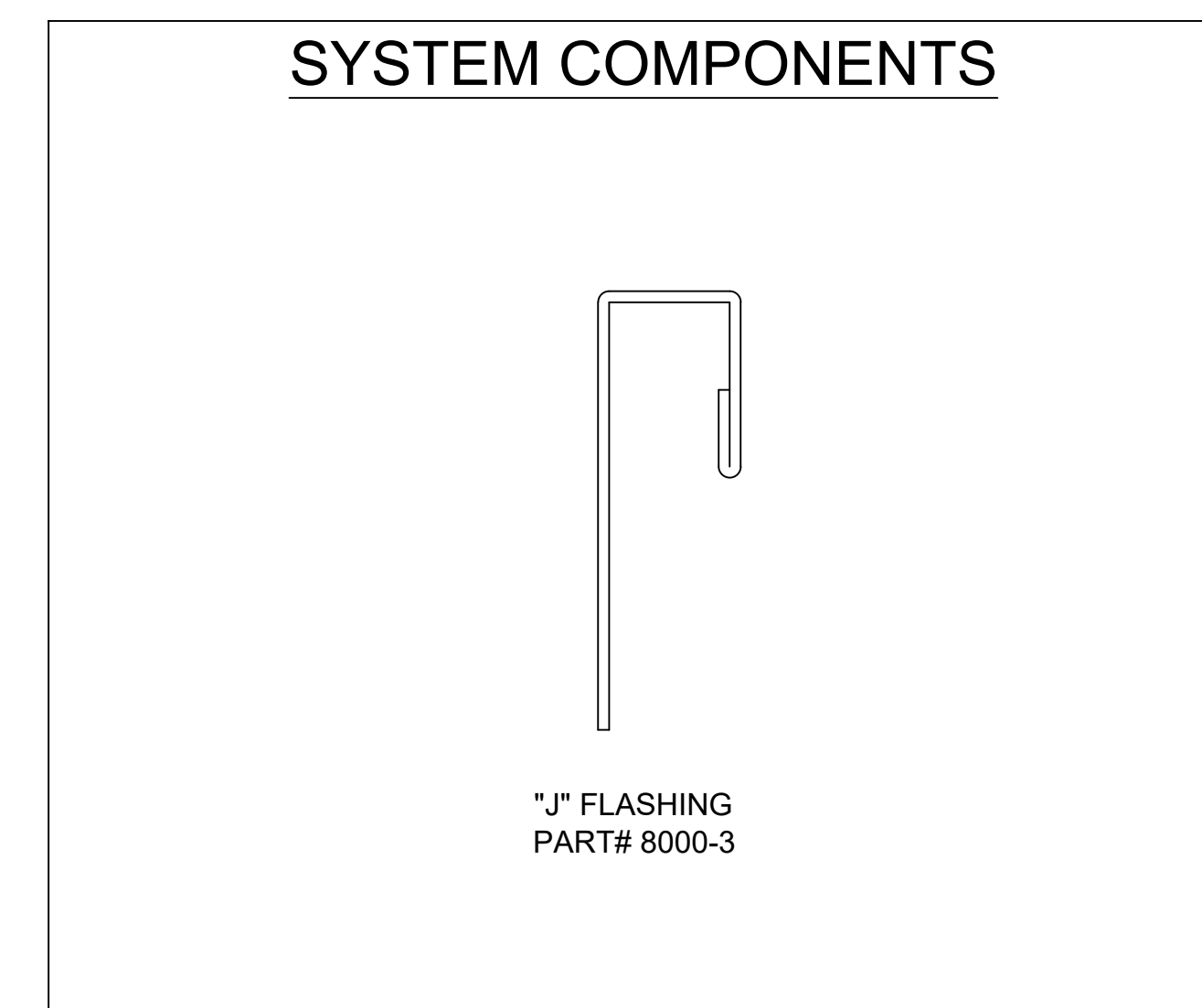
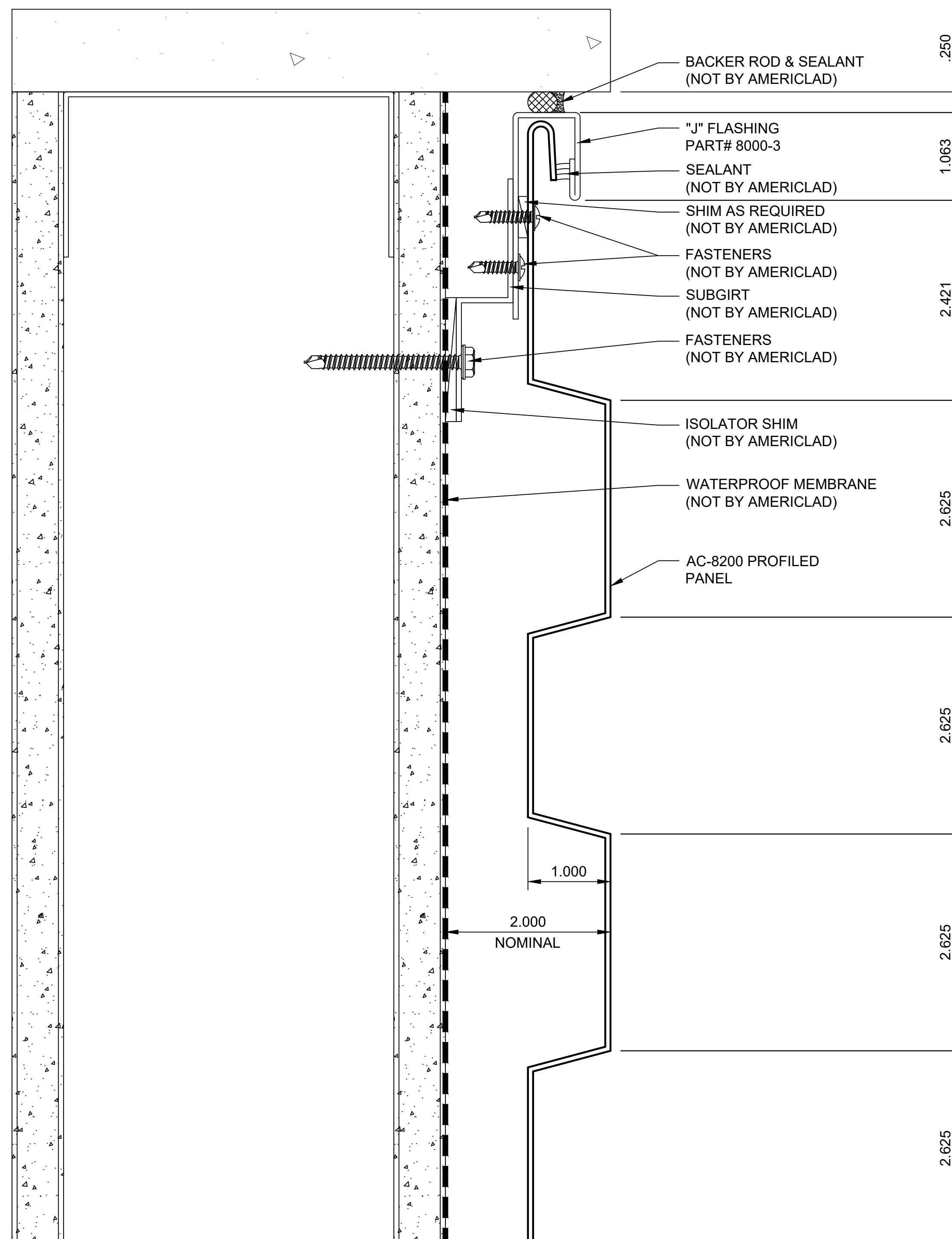
**NOTE:**  
 LOAD BEARING WALL COMPONENTS OF EITHER: 16GA STEEL STUDS, STRUCTURAL MEMBERS, MINIMUM 3/4" PLYWOOD OR CONCRETE. GYPSUM BOARD AND CEMENT BOARD ARE NOT A STRUCTURAL COMPONENT.



TERMINATION DETAIL @ COPING

DETAIL C

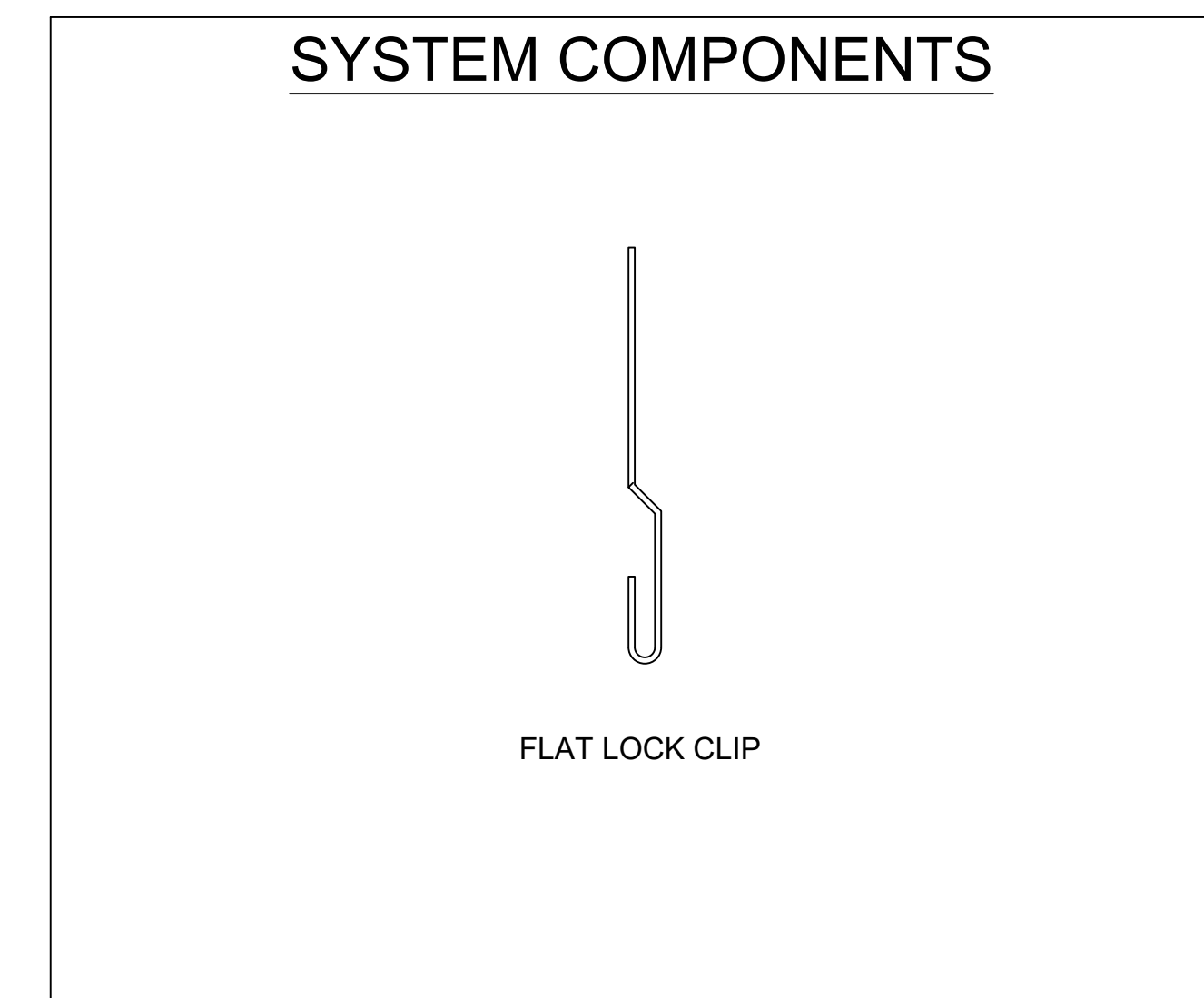
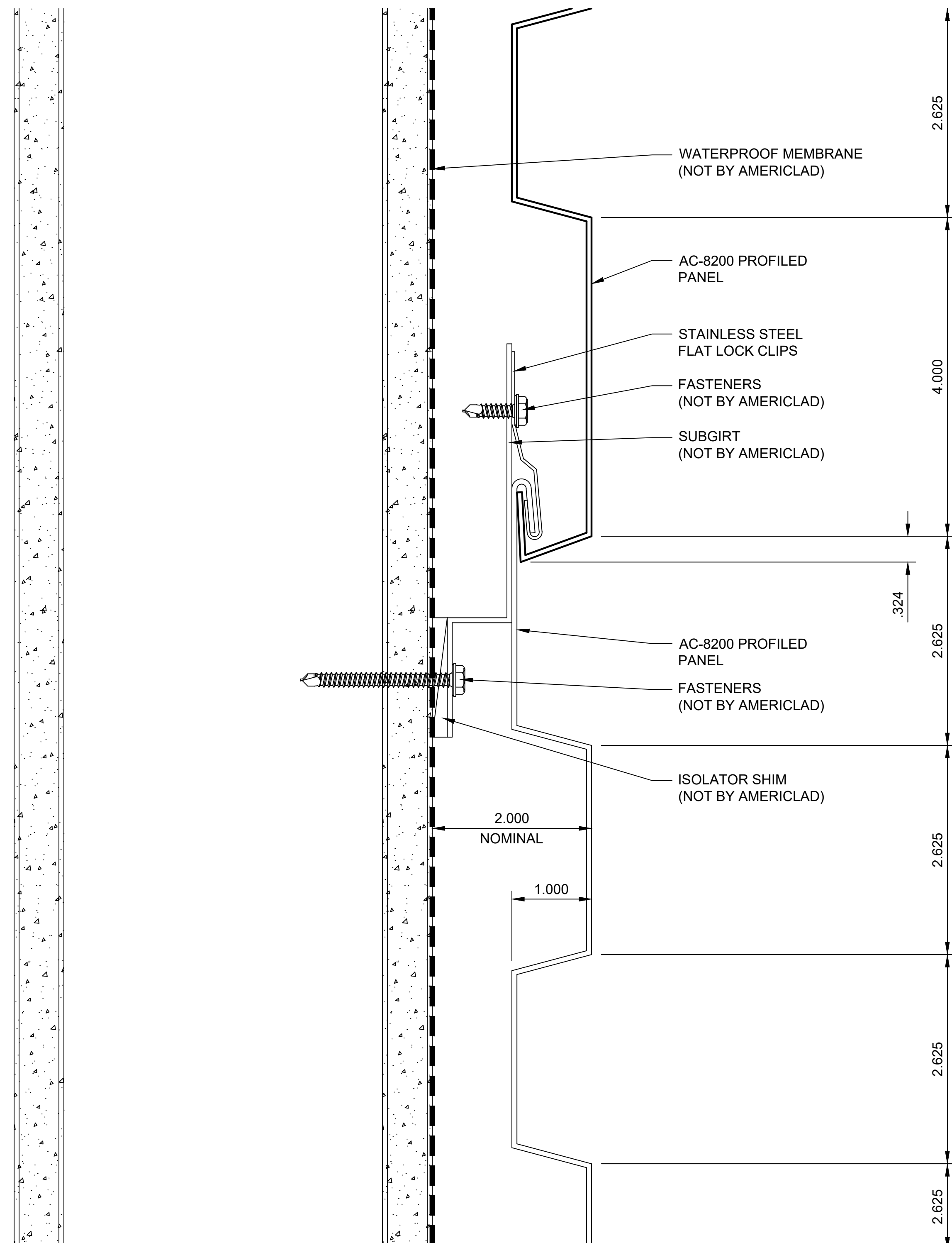
**NOTE:**  
LOAD BEARING WALL COMPONENTS OF EITHER: 16GA STEEL STUDS, STRUCTURAL MEMBERS, MINIMUM 3/4" PLYWOOD OR CONCRETE. GYPSUM BOARD AND CEMENT BOARD ARE NOT A STRUCTURAL COMPONENT.



TYPICAL HORIZONTAL JOINT DETAIL

DETAIL D

**NOTE:**  
 LOAD BEARING WALL COMPONENTS OF EITHER: 16GA STEEL STUDS, STRUCTURAL MEMBERS, MINIMUM 3/4" PLYWOOD OR CONCRETE. GYPSUM BOARD AND CEMENT BOARD ARE NOT A STRUCTURAL COMPONENT.

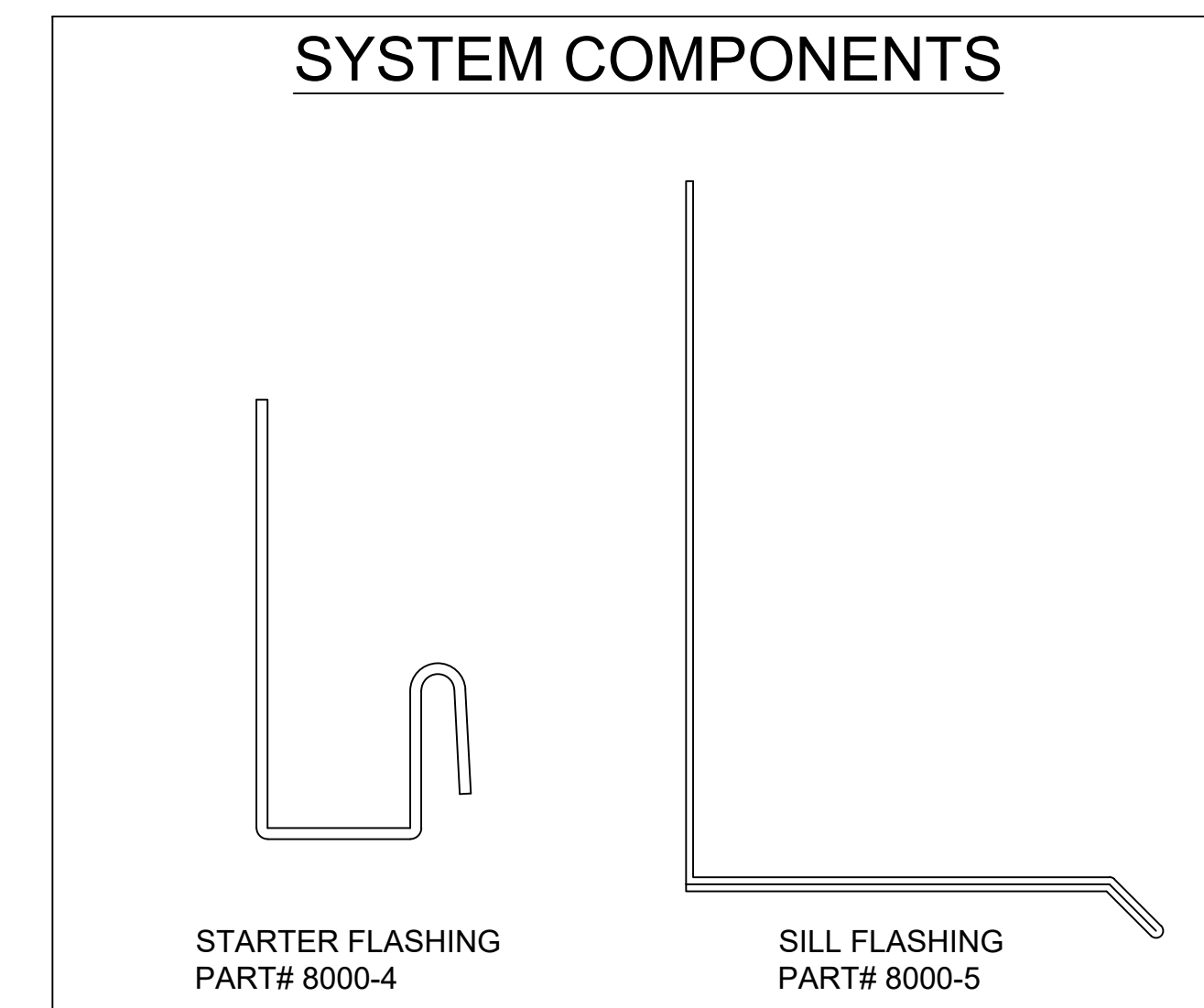
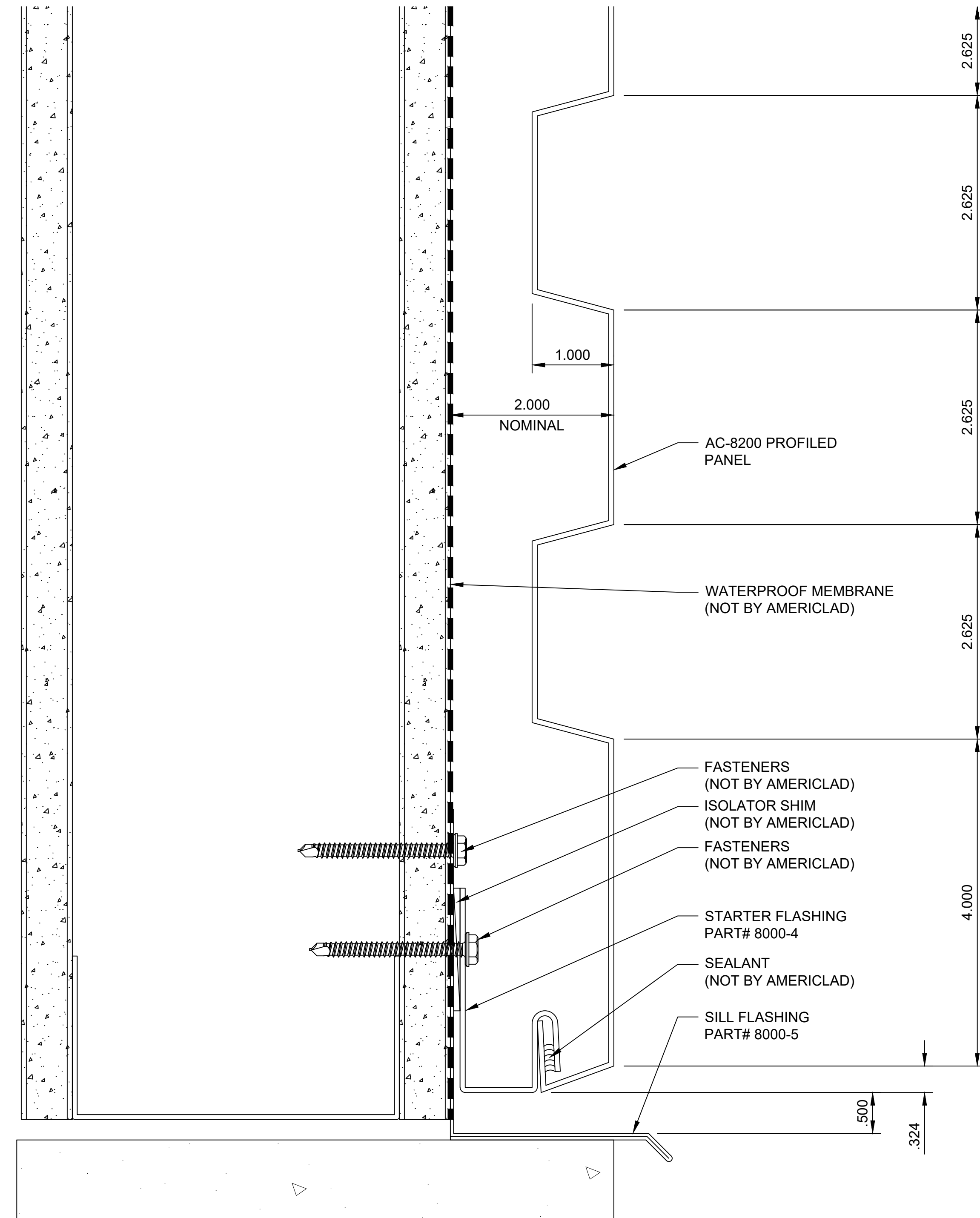




BASE DETAIL

DETAIL E

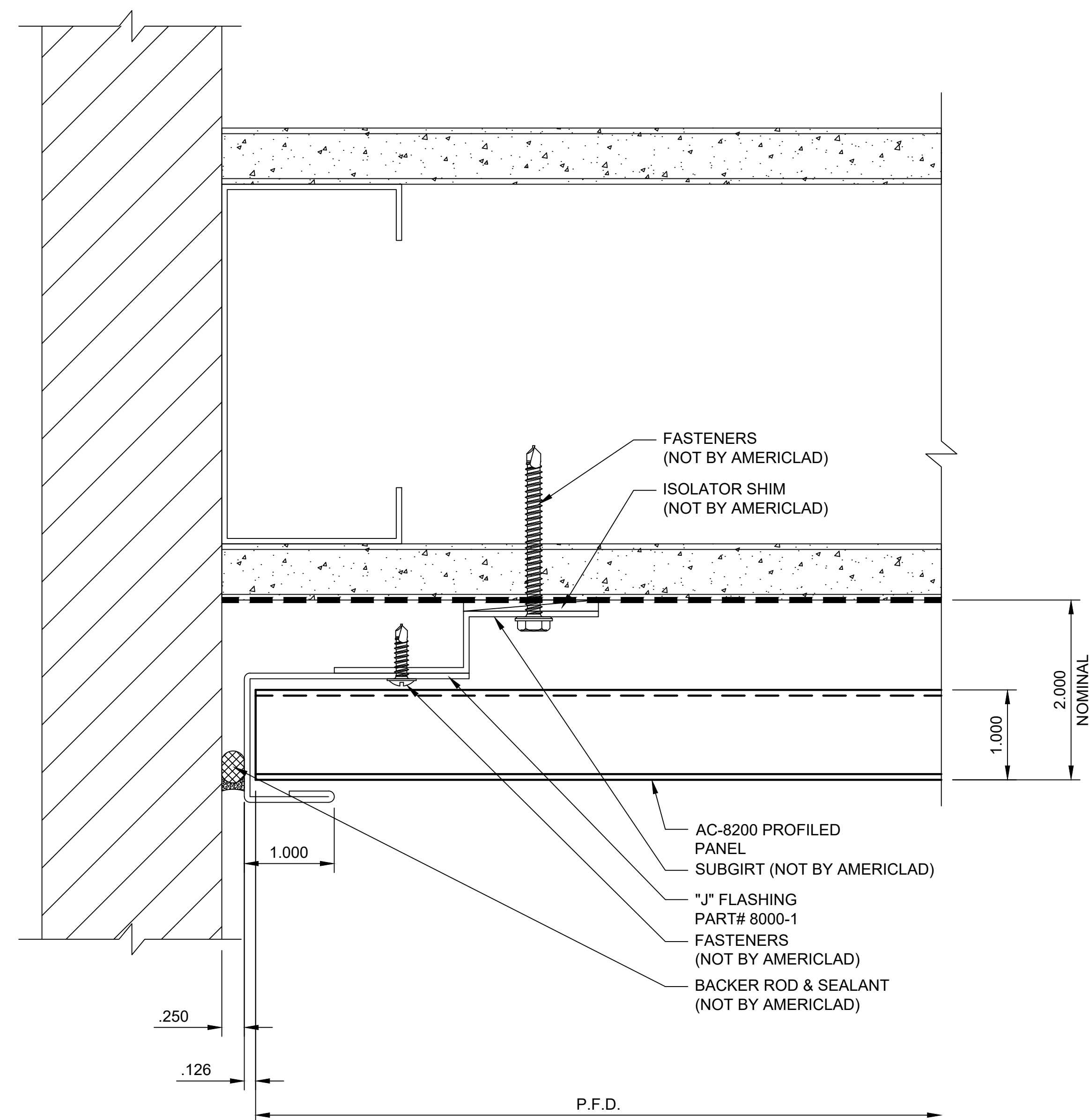
**NOTE:**  
 LOAD BEARING WALL COMPONENTS OF EITHER: 16GA STEEL STUDS, STRUCTURAL MEMBERS, MINIMUM 3/4" PLYWOOD OR CONCRETE. GYPSUM BOARD AND CEMENT BOARD ARE NOT A STRUCTURAL COMPONENT.



TERMINATION DETAIL

DETAIL F

**NOTE:**  
**LOAD BEARING WALL COMPONENTS OF EITHER: 16GA STEEL STUDS, STRUCTURAL MEMBERS, MINIMUM 3/4" PLYWOOD OR CONCRETE. GYPSUM BOARD AND CEMENT BOARD ARE NOT A STRUCTURAL COMPONENT.**



SYSTEM COMPONENTS

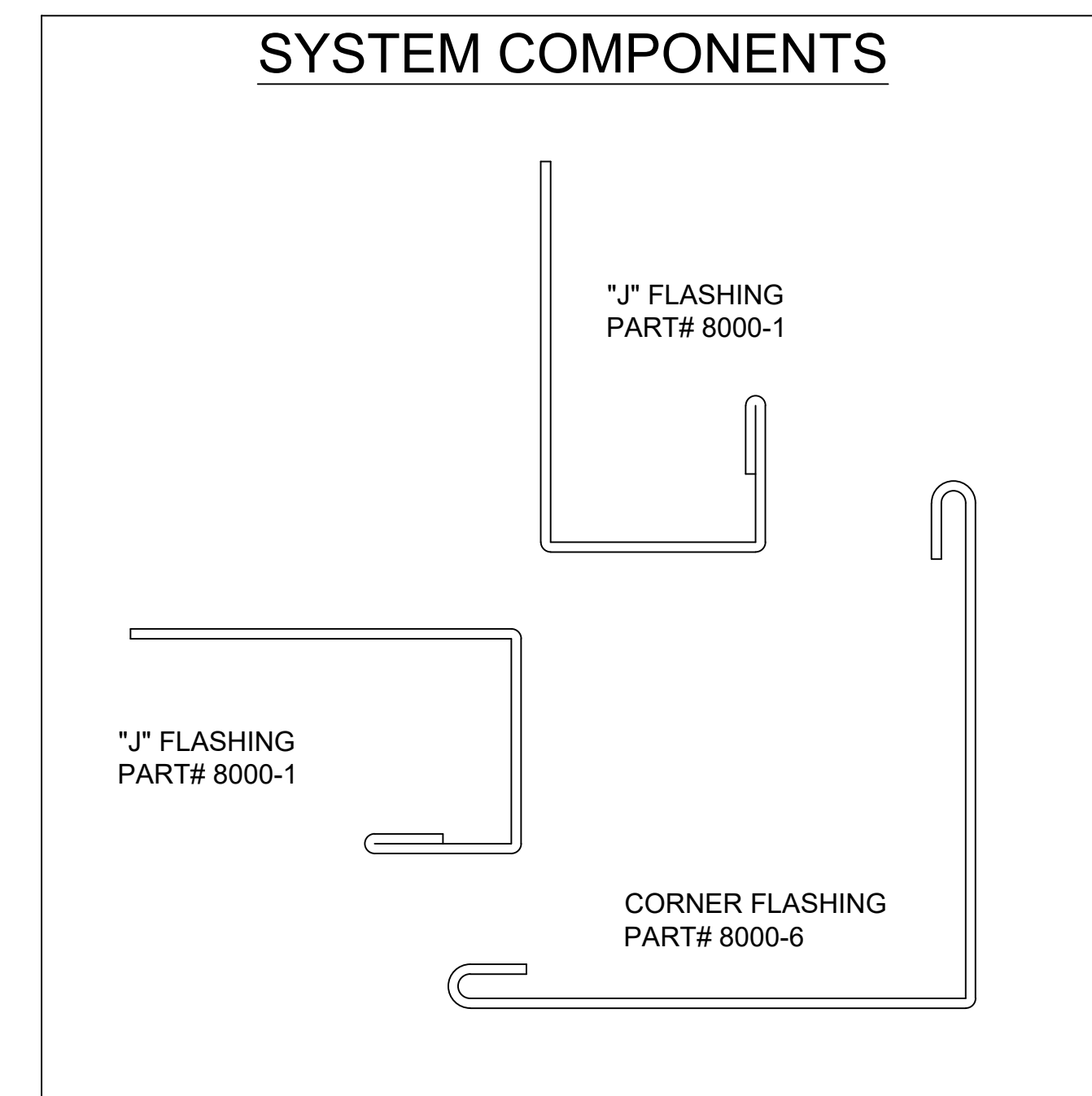
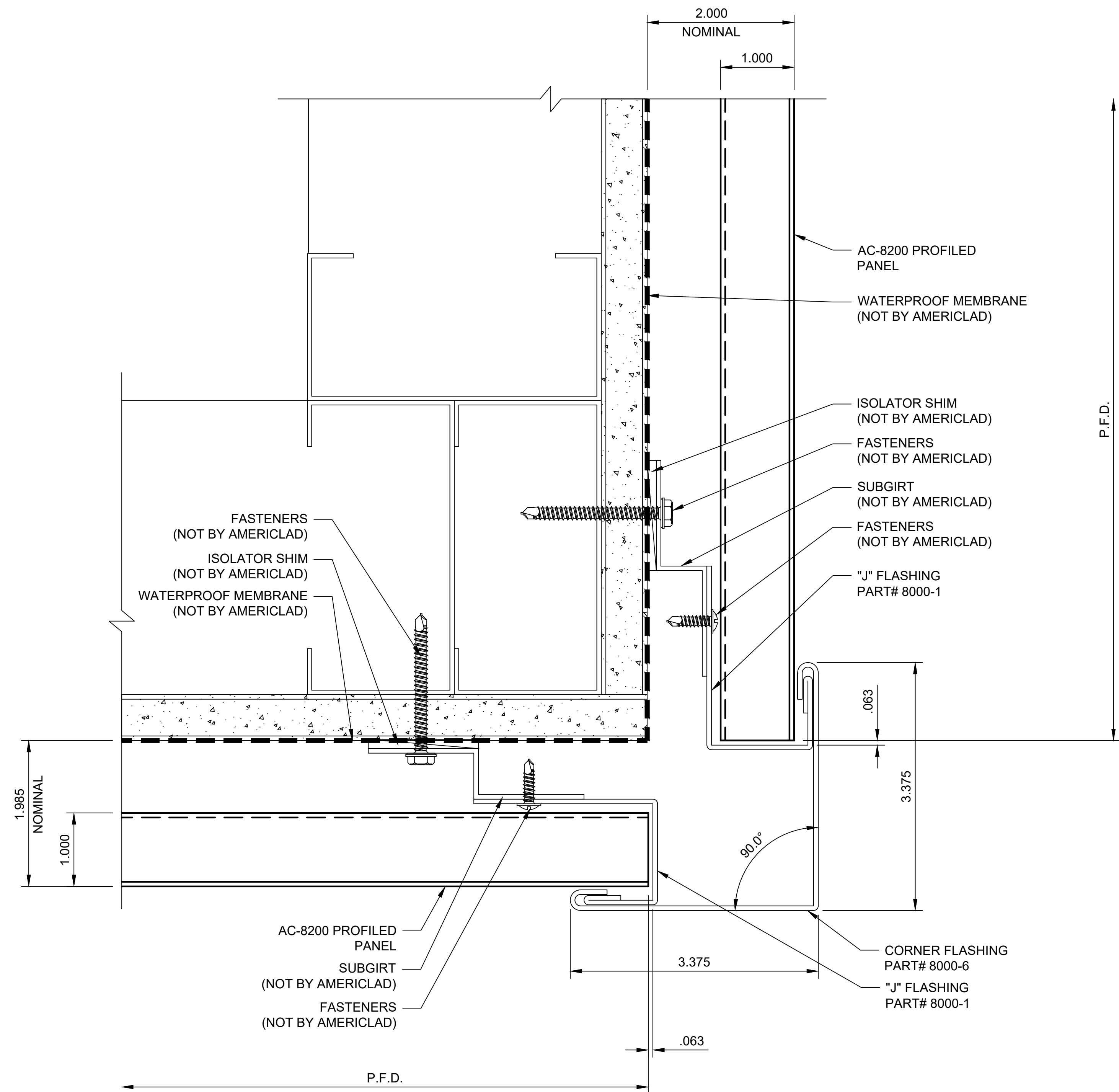
"J" FLASHING  
PART# 8000-1

OUTSIDE CORNER PLAN DETAIL

DETAIL G

**NOTE:**

LOAD BEARING WALL COMPONENTS OF EITHER: 16GA STEEL STUDS, STRUCTURAL MEMBERS, MINIMUM 3/4" PLYWOOD OR CONCRETE. GYPSUM BOARD AND CEMENT BOARD ARE NOT A STRUCTURAL COMPONENT.

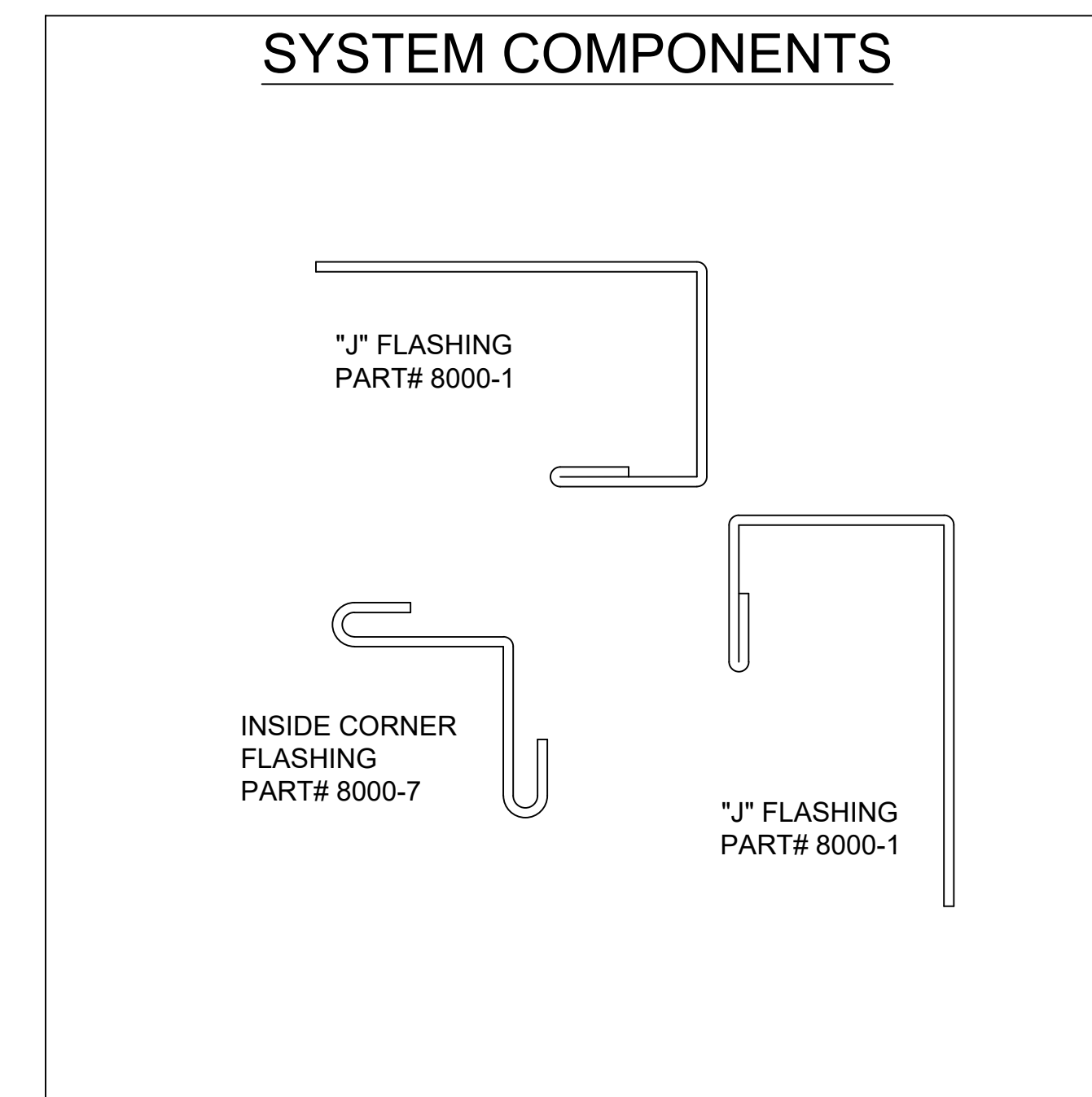
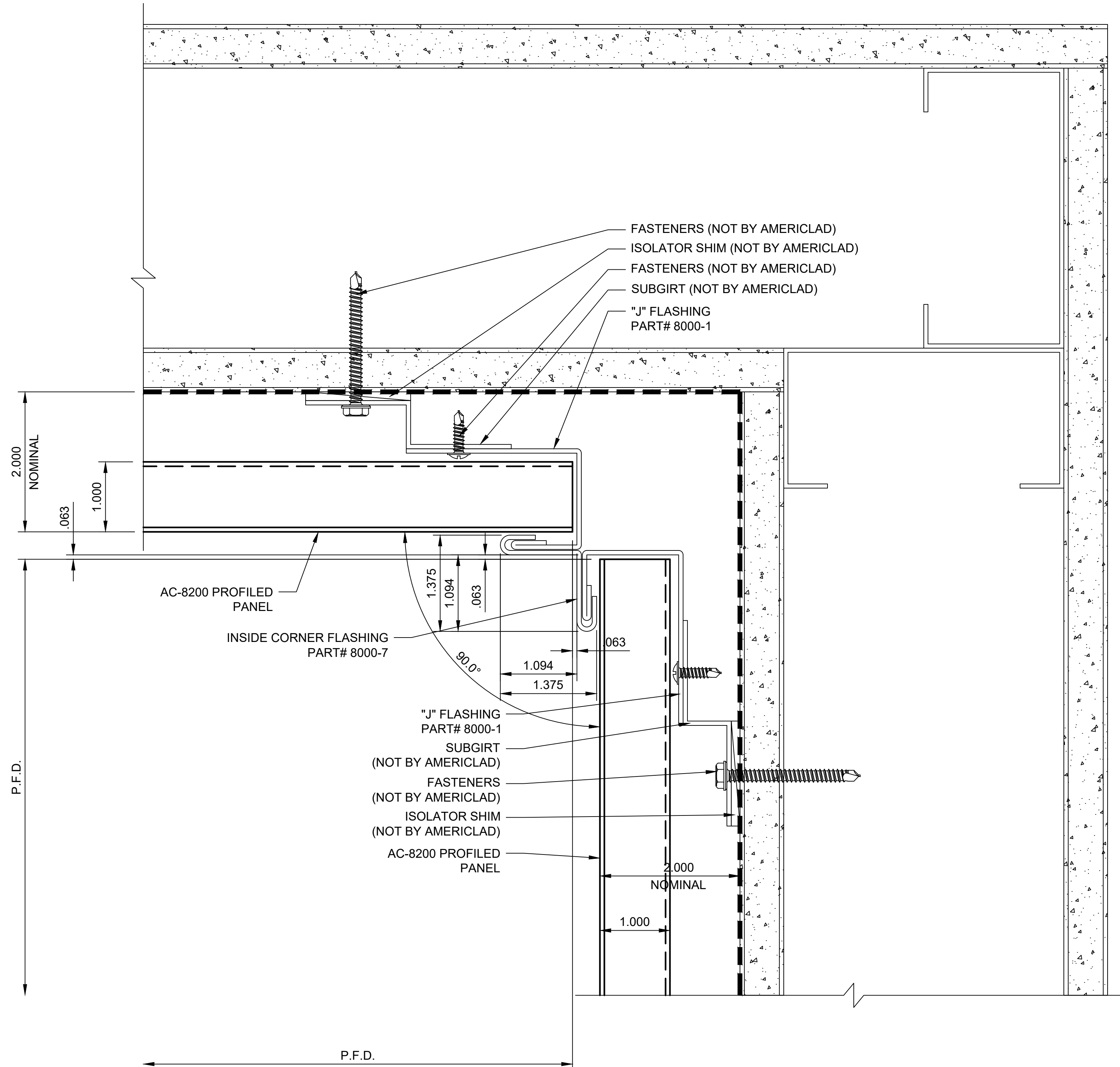




INSIDE CORNER PLAN DETAIL

DETAIL H

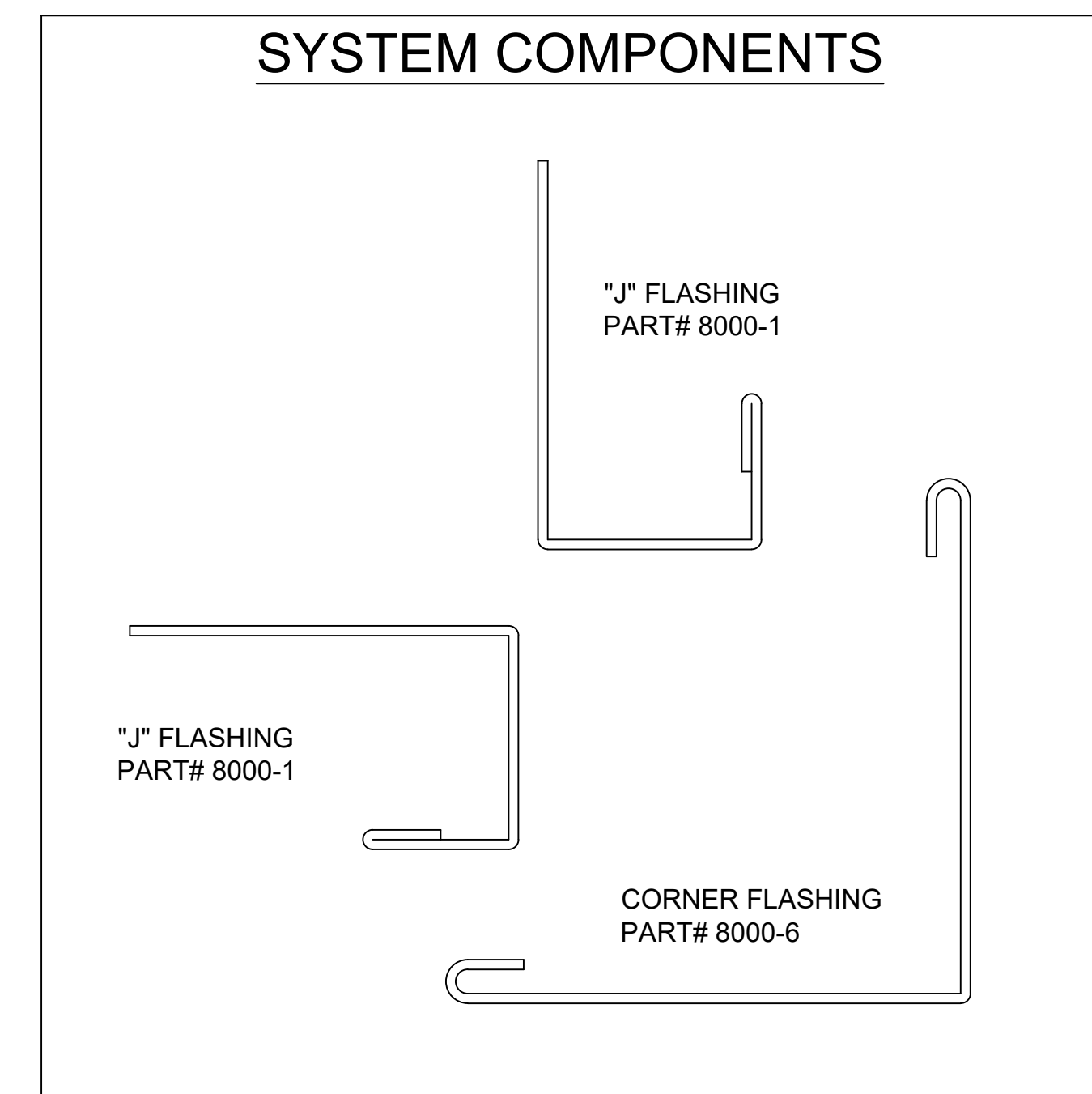
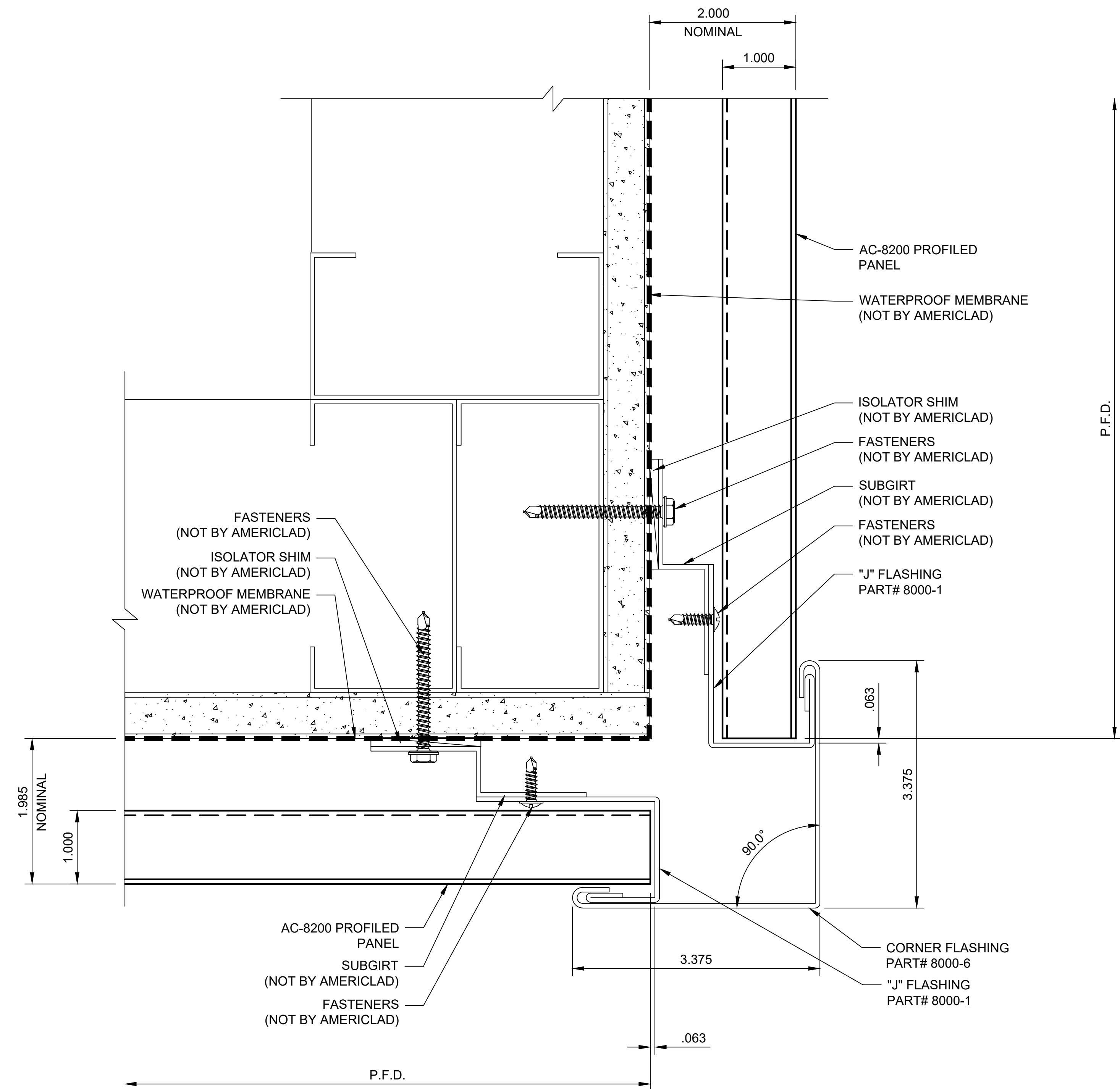
**NOTE:**  
 LOAD BEARING WALL COMPONENTS OF EITHER: 16GA STEEL STUDS, STRUCTURAL MEMBERS, MINIMUM 3/4" PLYWOOD OR CONCRETE. GYPSUM BOARD AND CEMENT BOARD ARE NOT A STRUCTURAL COMPONENT.



SECTION @ SOFFIT TRANSITION

DETAIL J

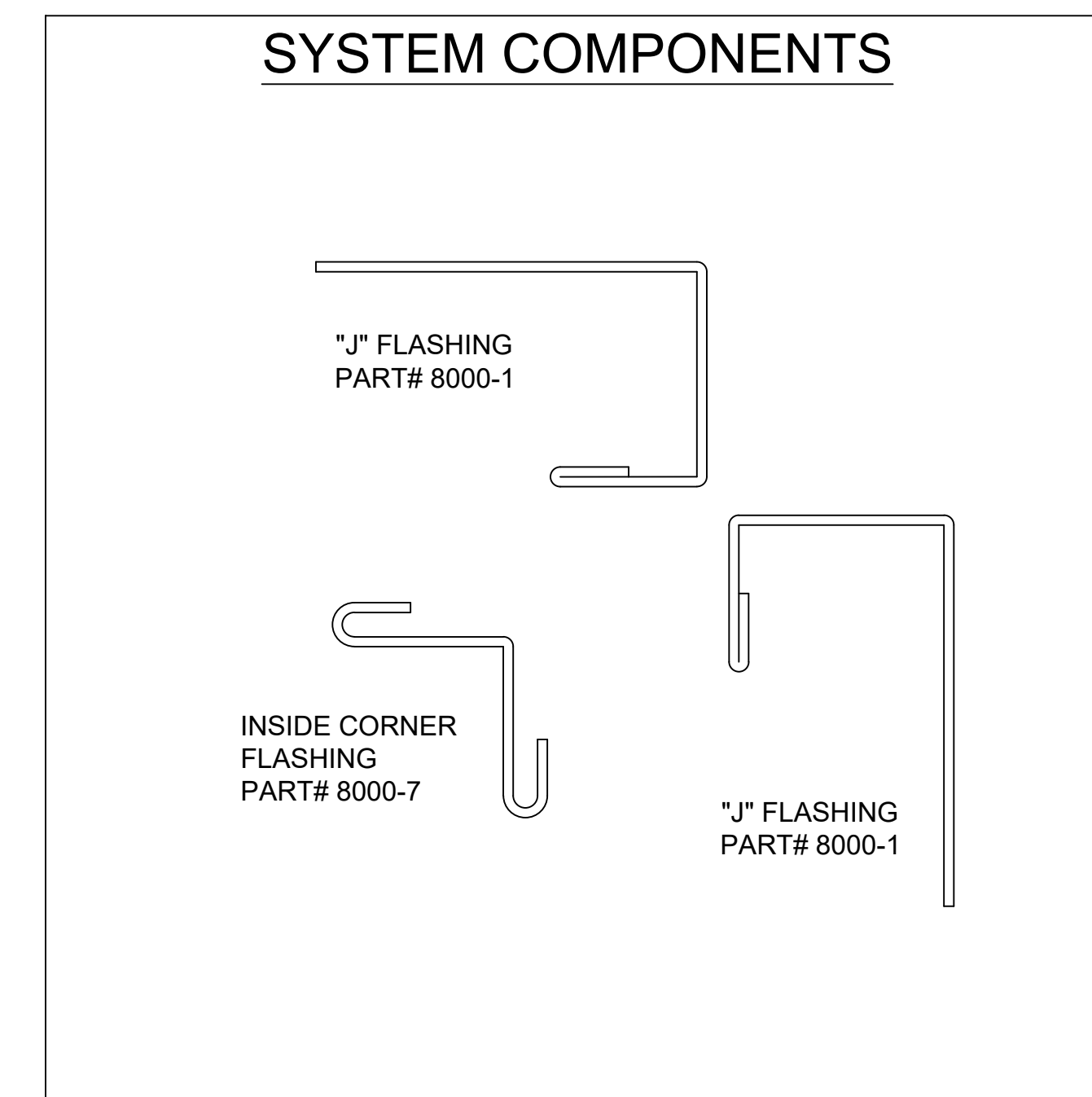
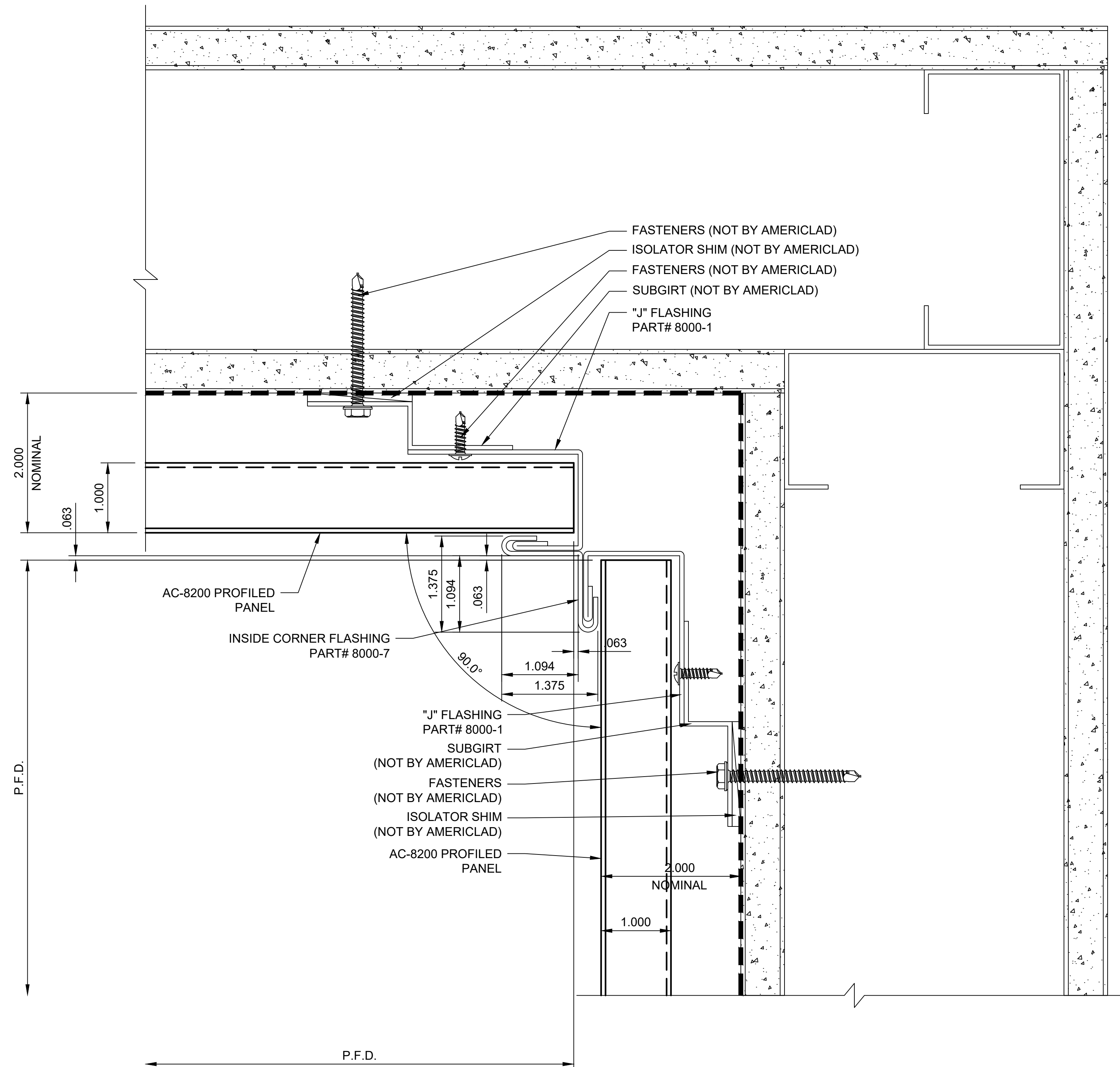
**NOTE:**  
LOAD BEARING WALL COMPONENTS OF EITHER: 16GA STEEL STUDS, STRUCTURAL MEMBERS, MINIMUM 3/4" PLYWOOD OR CONCRETE. GYPSUM BOARD AND CEMENT BOARD ARE NOT A STRUCTURAL COMPONENT.



SECTION @ SOFFIT

DETAIL K

**NOTE:**  
LOAD BEARING WALL COMPONENTS OF EITHER: 16GA STEEL STUDS, STRUCTURAL MEMBERS, MINIMUM 3/4" PLYWOOD OR CONCRETE. GYPSUM BOARD AND CEMENT BOARD ARE NOT A STRUCTURAL COMPONENT.

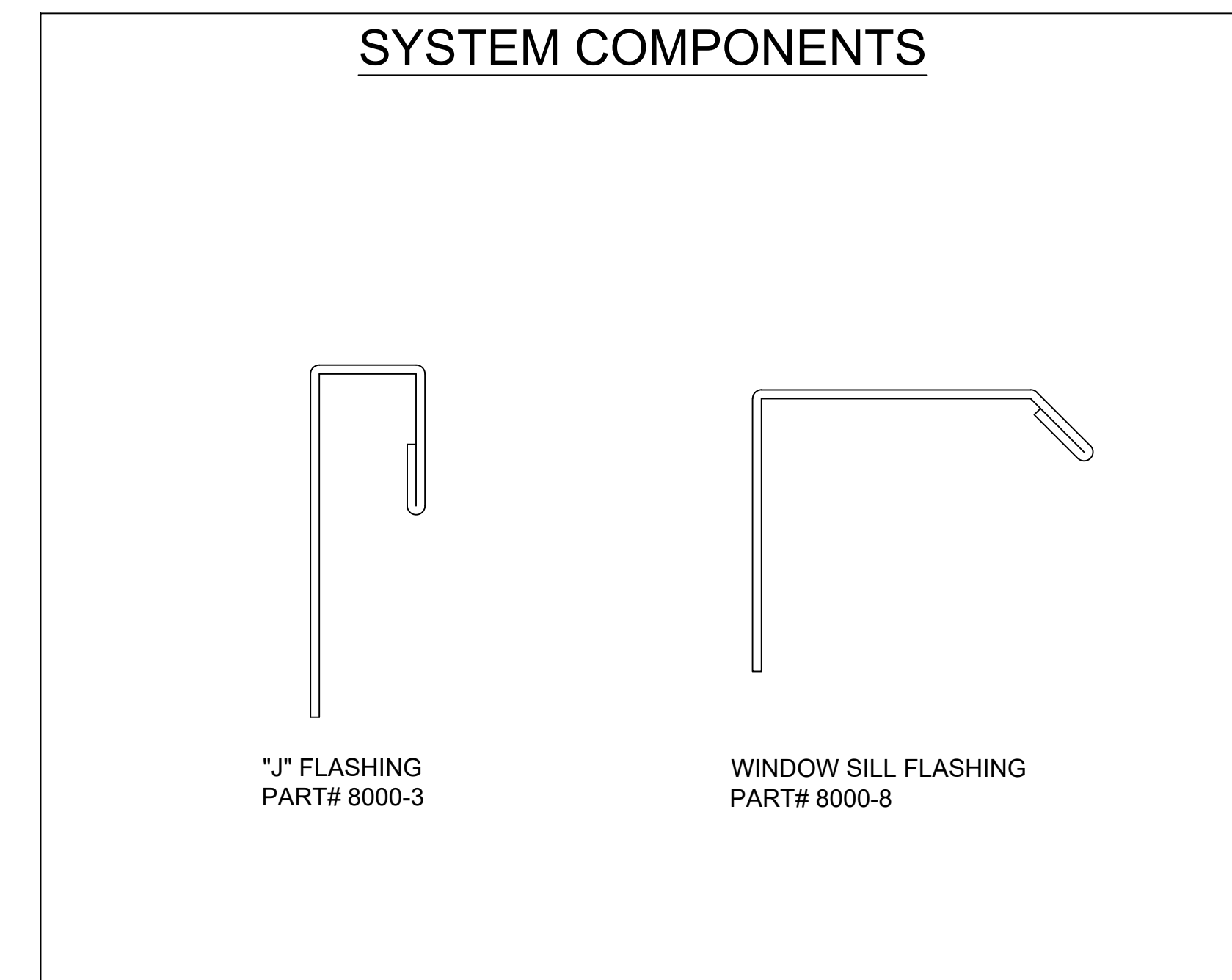
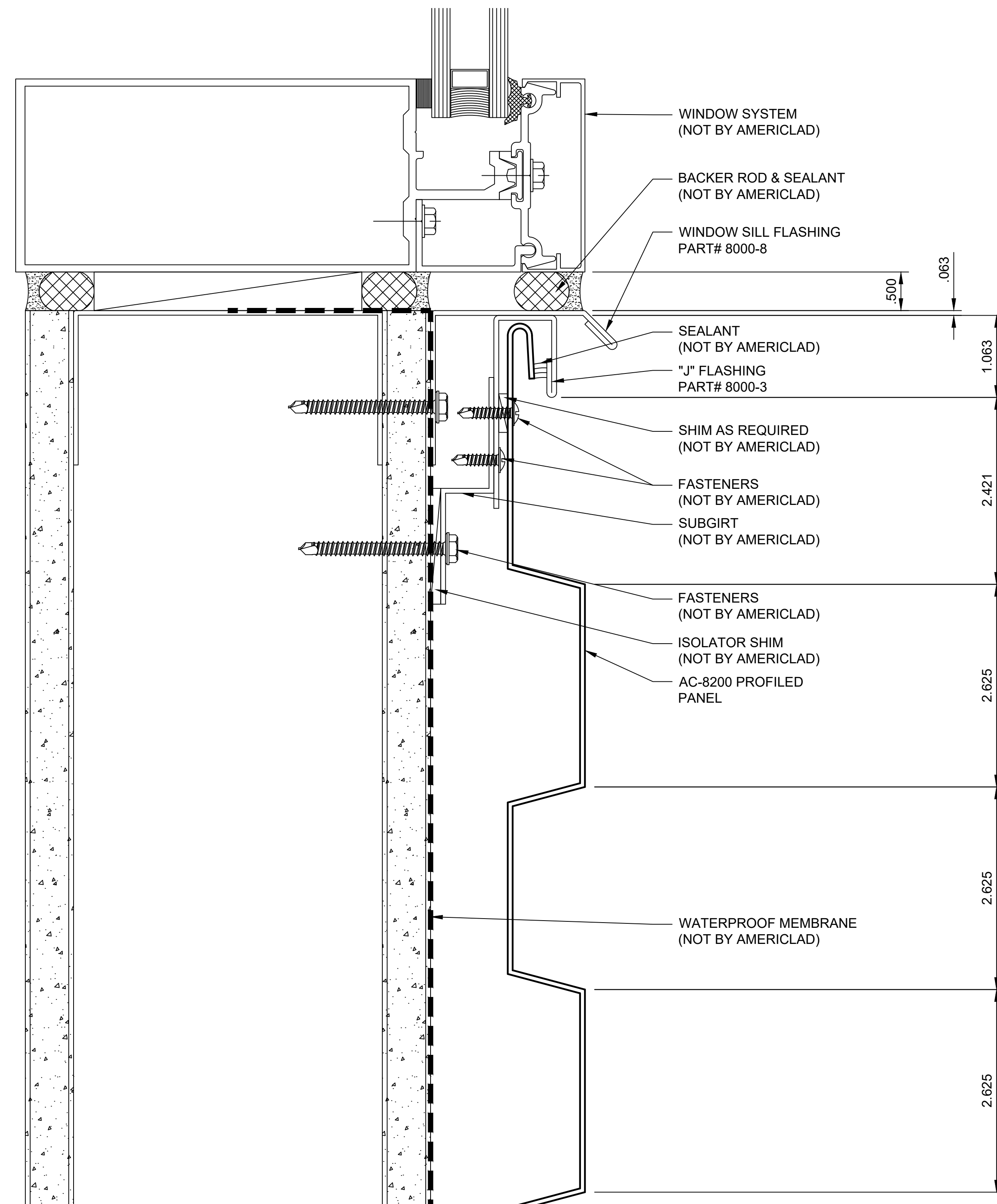




WINDOW SILL DETAIL

DETAIL L

**NOTE:**  
LOAD BEARING WALL COMPONENTS OF EITHER: 16GA STEEL STUDS, STRUCTURAL MEMBERS, MINIMUM 3/4" PLYWOOD OR CONCRETE. GYPSUM BOARD AND CEMENT BOARD ARE NOT A STRUCTURAL COMPONENT.

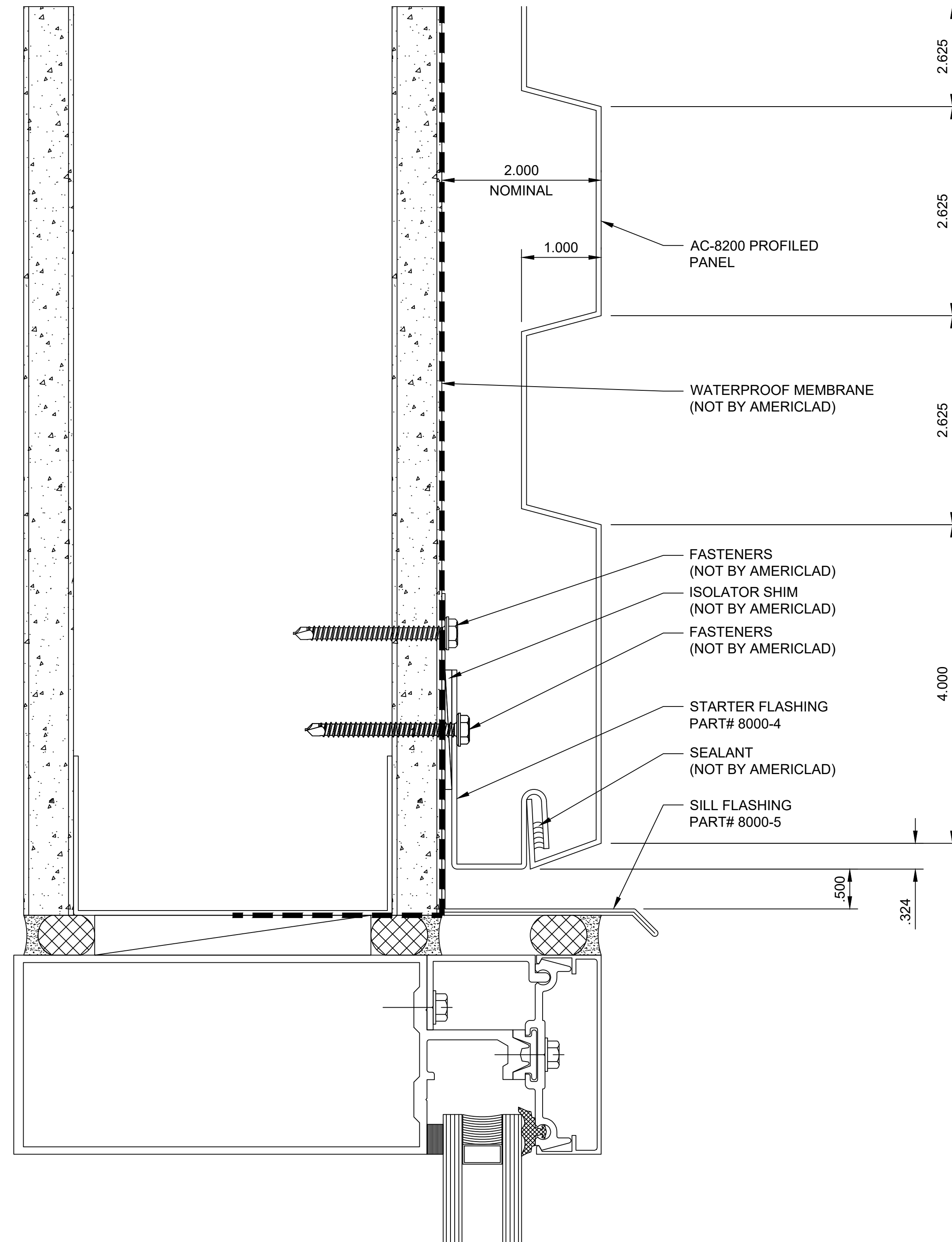


WINDOW HEAD DETAIL

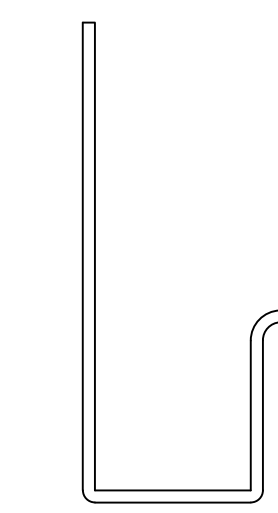
DETAIL M

**NOTE:**

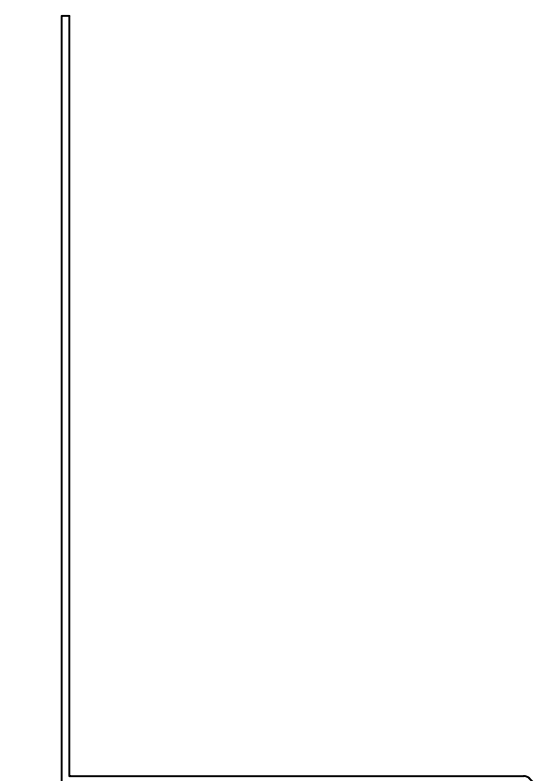
LOAD BEARING WALL COMPONENTS OF EITHER: 16GA STEEL STUDS, STRUCTURAL MEMBERS, MINIMUM 3/4" PLYWOOD OR CONCRETE. GYPSUM BOARD AND CEMENT BOARD ARE NOT A STRUCTURAL COMPONENT.



SYSTEM COMPONENTS



STARTER FLASHING  
PART# 8000-4

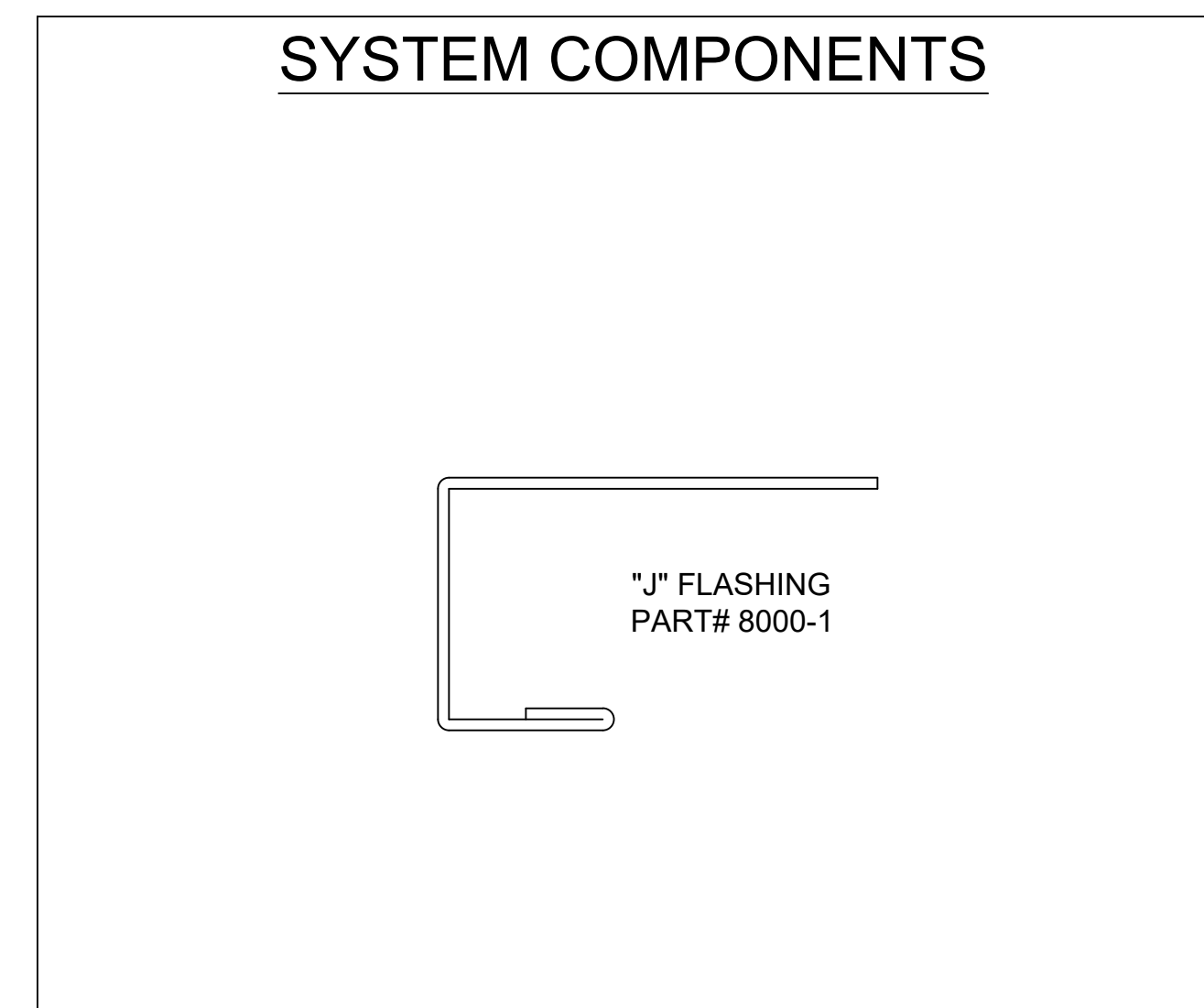
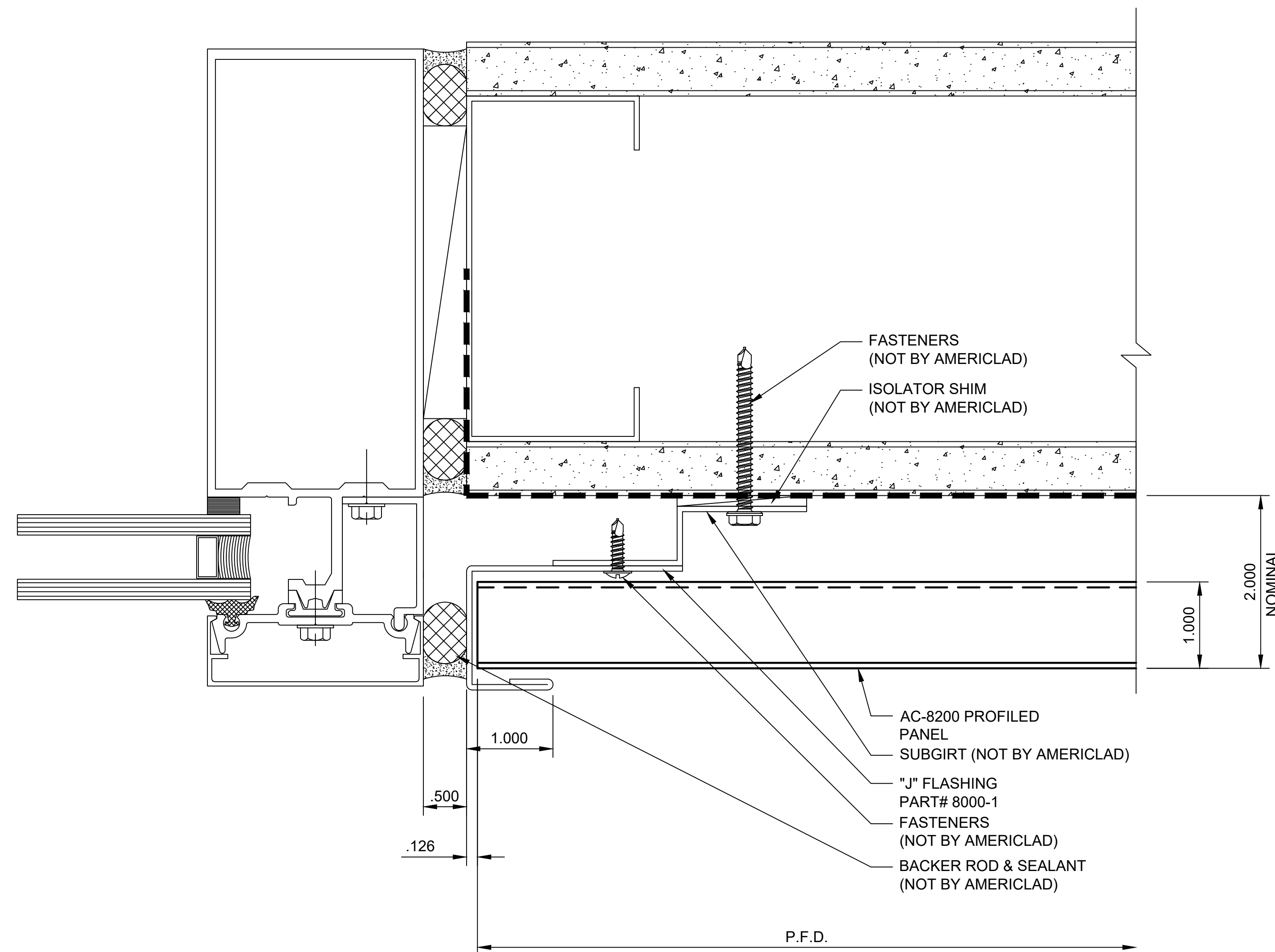


SILL FLASHING  
PART# 8000-5

WINDOW JAMB DETAIL

DETAIL N

**NOTE:**  
 LOAD BEARING WALL COMPONENTS OF EITHER: 16GA STEEL STUDS, STRUCTURAL MEMBERS, MINIMUM 3/4" PLYWOOD OR CONCRETE. GYPSUM BOARD AND CEMENT BOARD ARE NOT A STRUCTURAL COMPONENT.

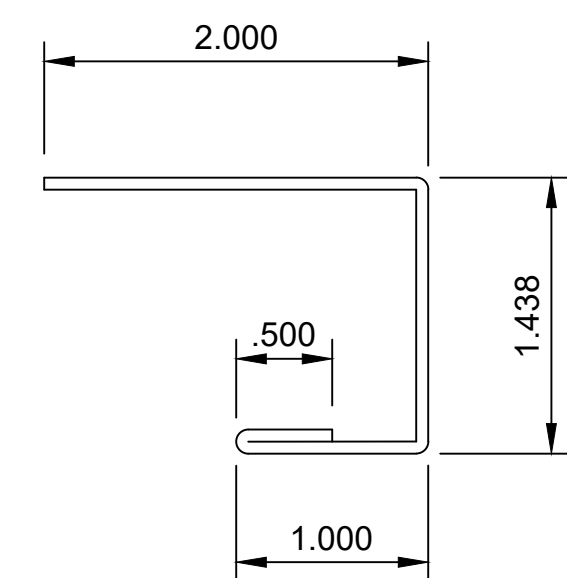




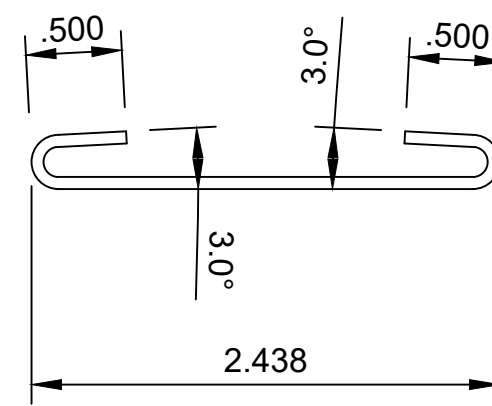
FLASHING PROFILES

DETAIL O

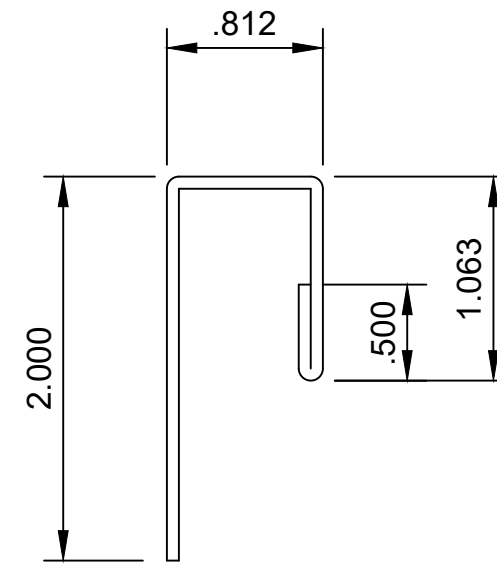
**NOTE:**  
LOAD BEARING WALL COMPONENTS OF EITHER: 16GA STEEL STUDS, STRUCTURAL MEMBERS, MINIMUM 3/4" PLYWOOD OR CONCRETE. GYPSUM BOARD AND CEMENT BOARD ARE NOT A STRUCTURAL COMPONENT.



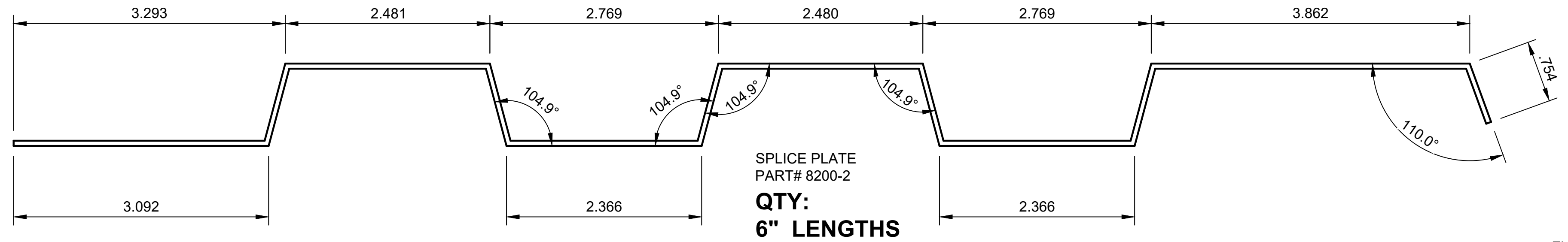
"J" FLASHING  
PART# 8000-1  
**QTY:**  
10'-0" STOCK LENGTHS



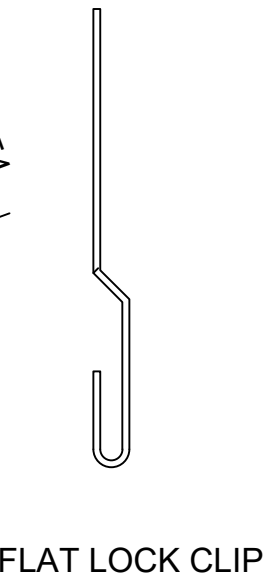
COVER FLASHING  
PART# 8000-2  
**QTY:**  
10'-0" STOCK LENGTHS



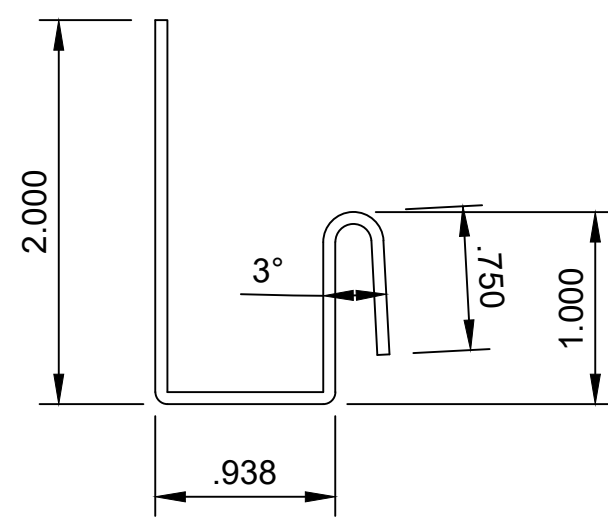
"J" FLASHING  
PART# 8000-3  
**QTY:**  
10'-0" STOCK LENGTHS



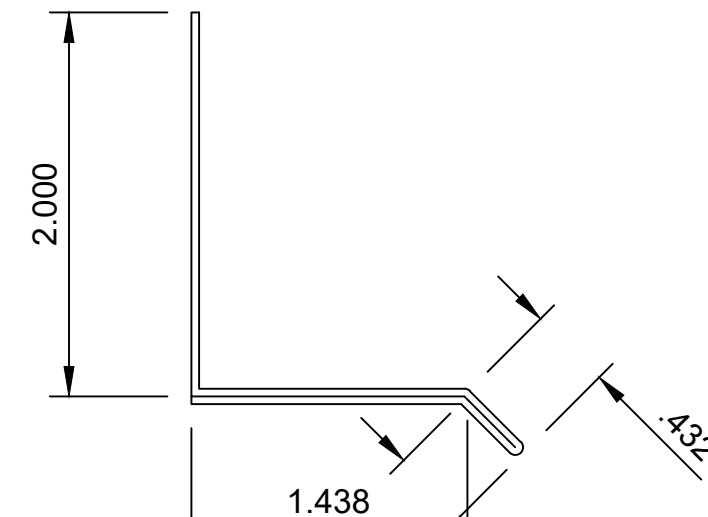
SPLICE PLATE  
PART# 8200-2  
**QTY:**  
6" LENGTHS



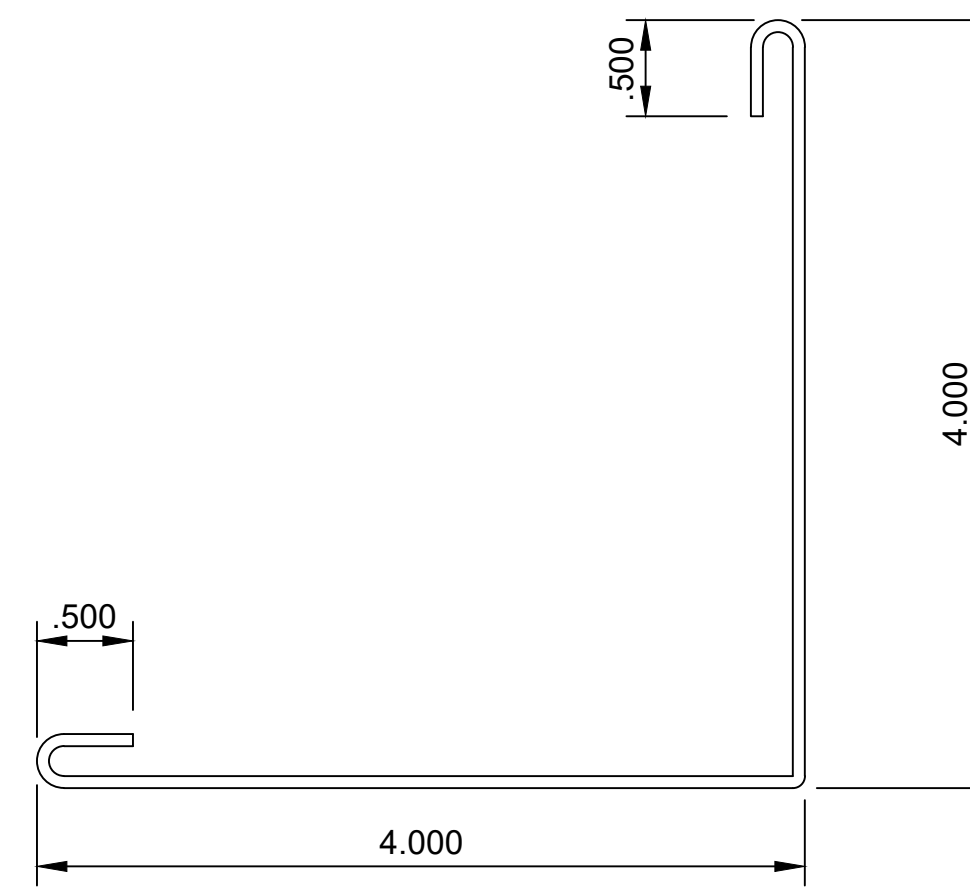
FLAT LOCK CLIP



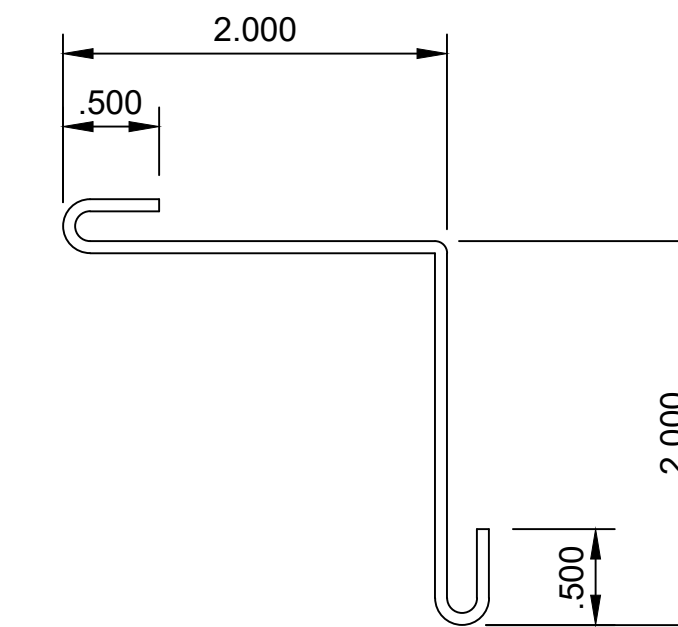
STARTER FLASHING  
PART# 8000-4  
**QTY:**  
10'-0" STOCK LENGTHS



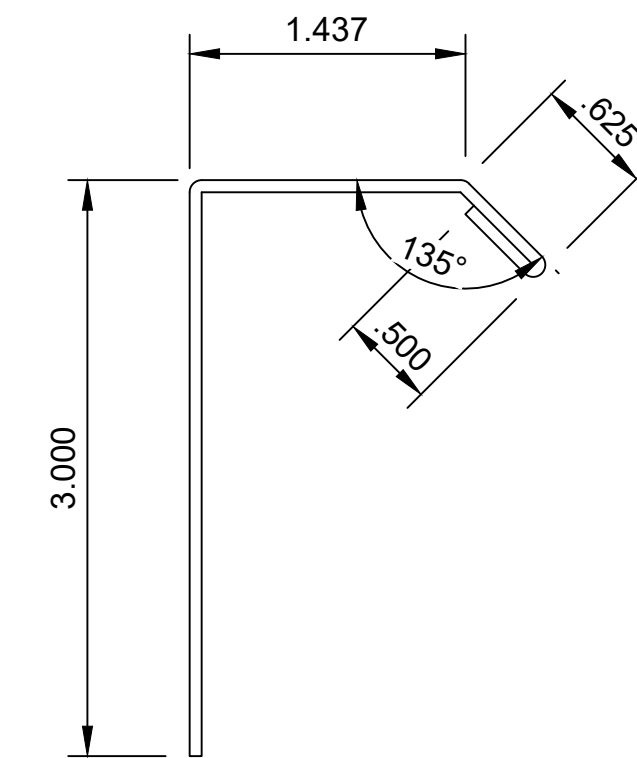
SILL FLASHING  
PART# 8000-5  
**QTY:**  
10'-0" STOCK LENGTHS



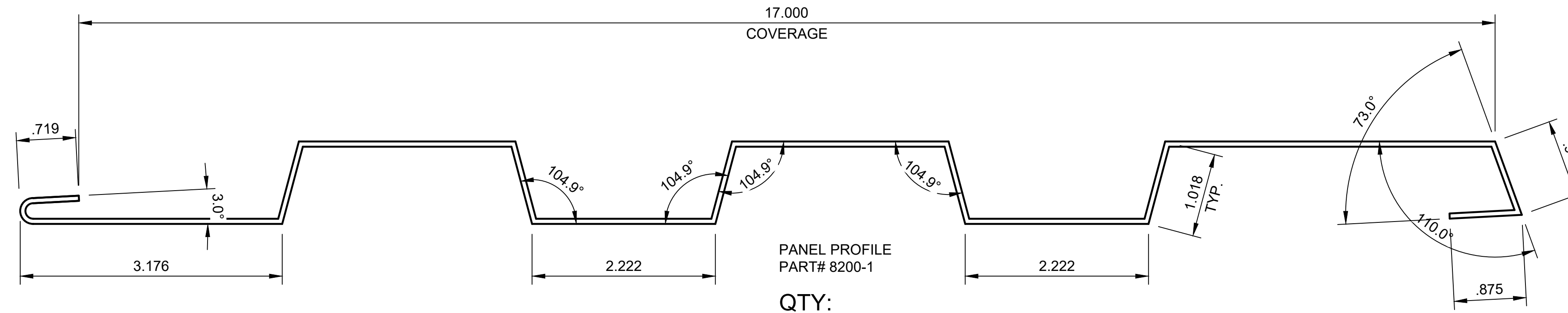
CORNER FLASHING  
PART# 8000-6  
**QTY:**  
10'-0" STOCK LENGTHS



INSIDE CORNER  
FLASHING  
PART# 8000-7  
**QTY:**  
10'-0" STOCK LENGTHS



WINDOW SILL FLASHING  
PART# 8000-8  
**QTY:**  
10'-0" STOCK LENGTHS



PANEL PROFILE  
PART# 8200-1  
**QTY:**  
10'-0" STOCK LENGTHS