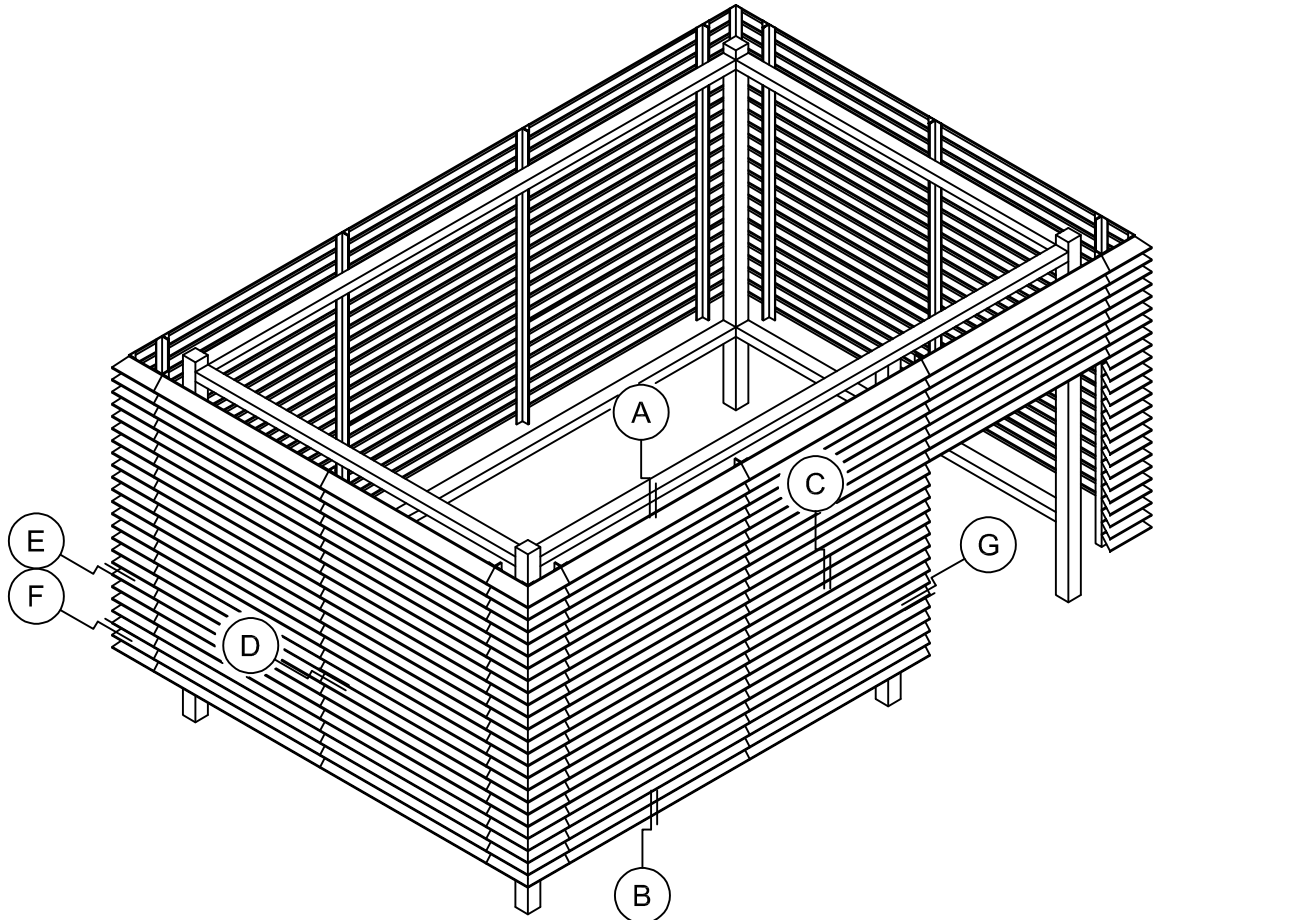
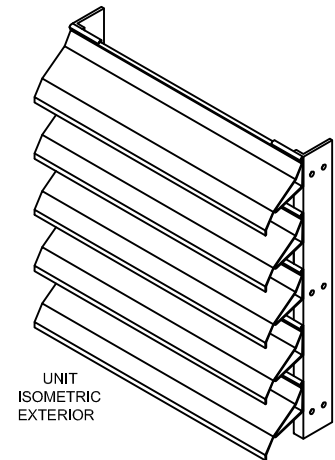
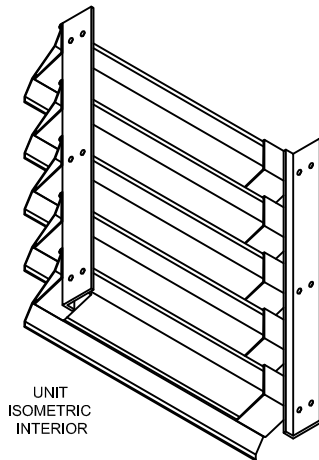


EQUIPMENT SCREEN - 6 INCH

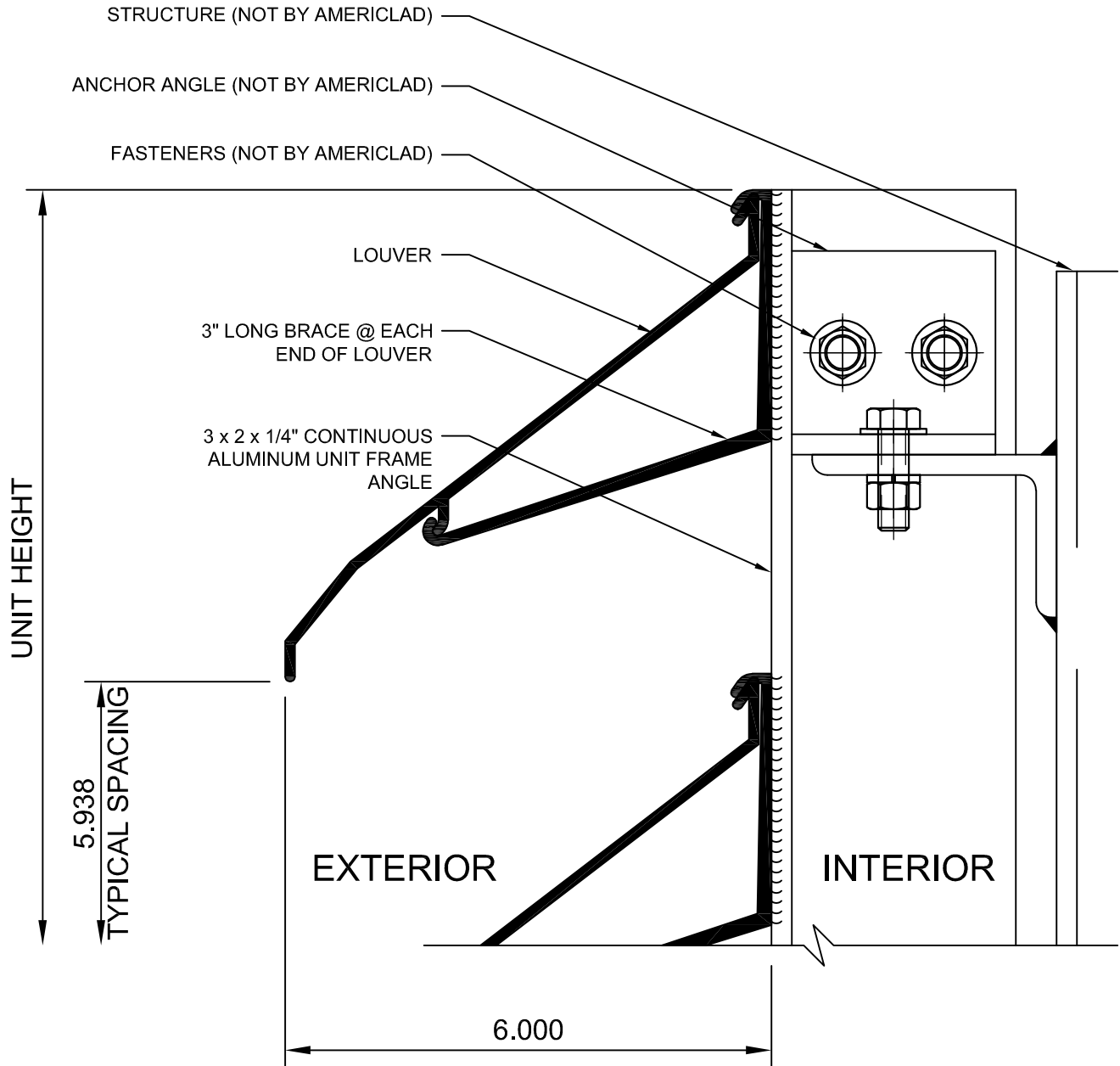


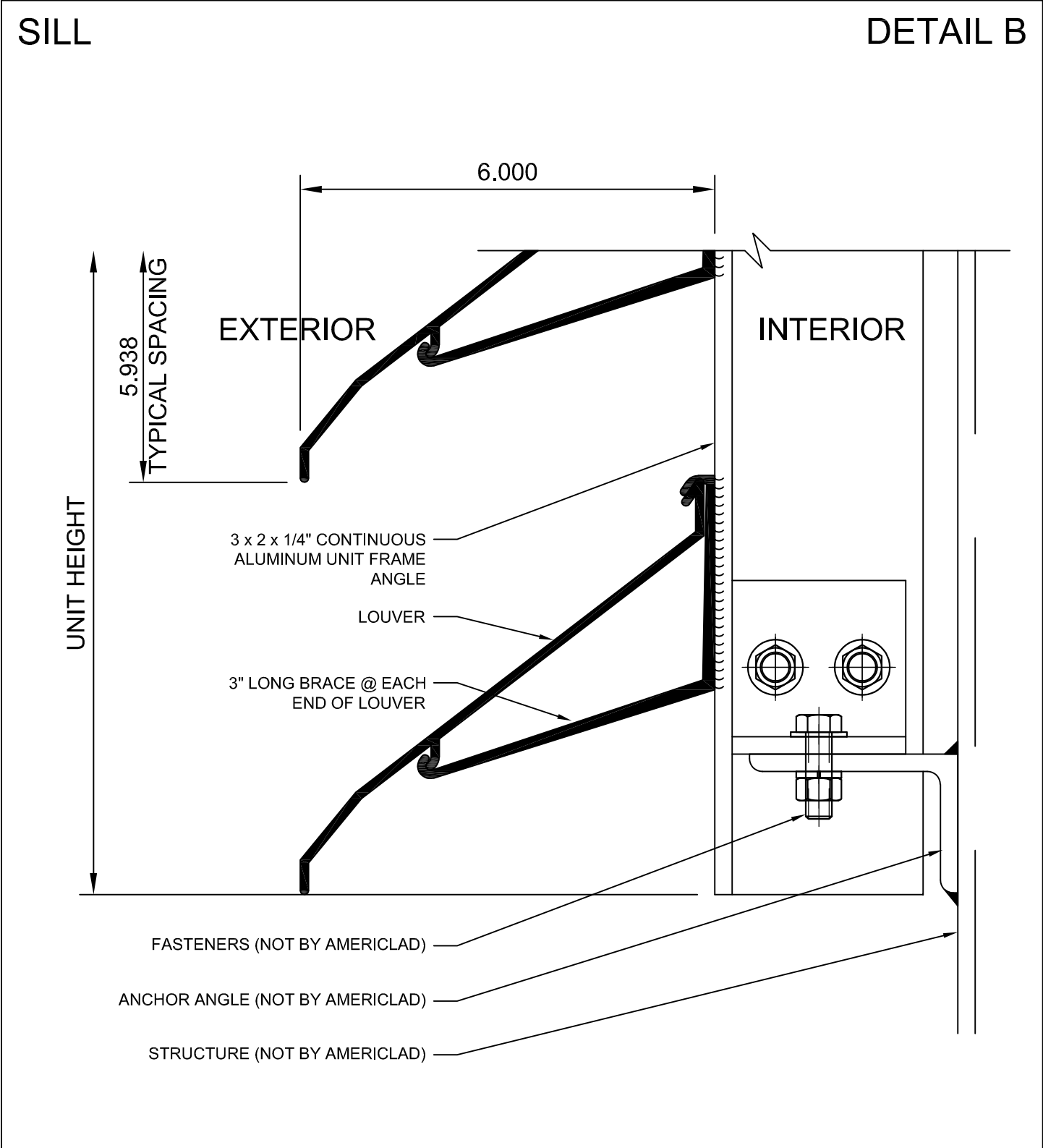
- (A) HEAD
- (B) SILL
- (C) HORIZONTAL SPLICE
- (D) INTERMEDIATE VERTICAL
- (E) CORNER (1)
- (F) CORNER (2)
- (G) JAMB



HEAD

DETAIL A

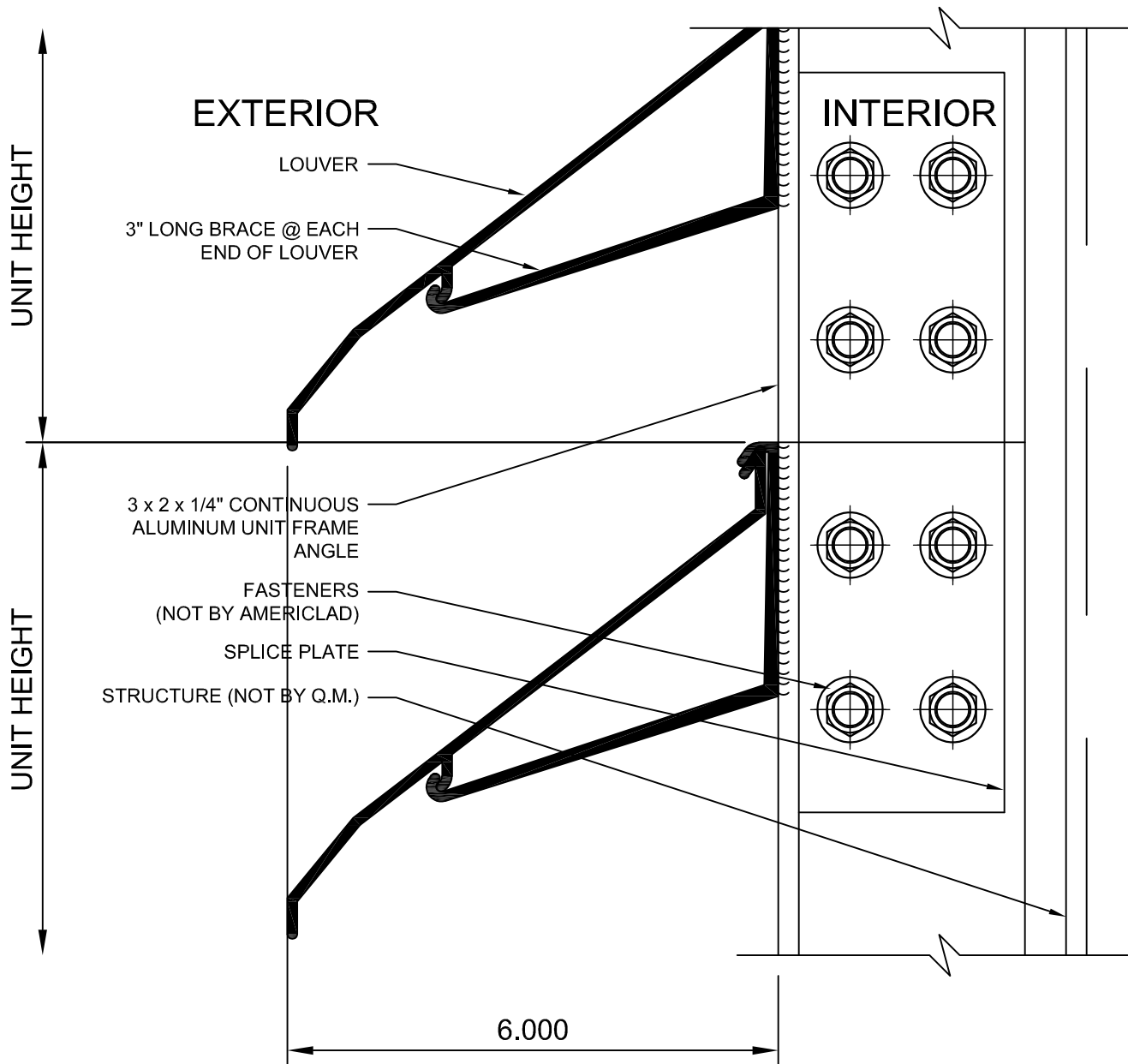


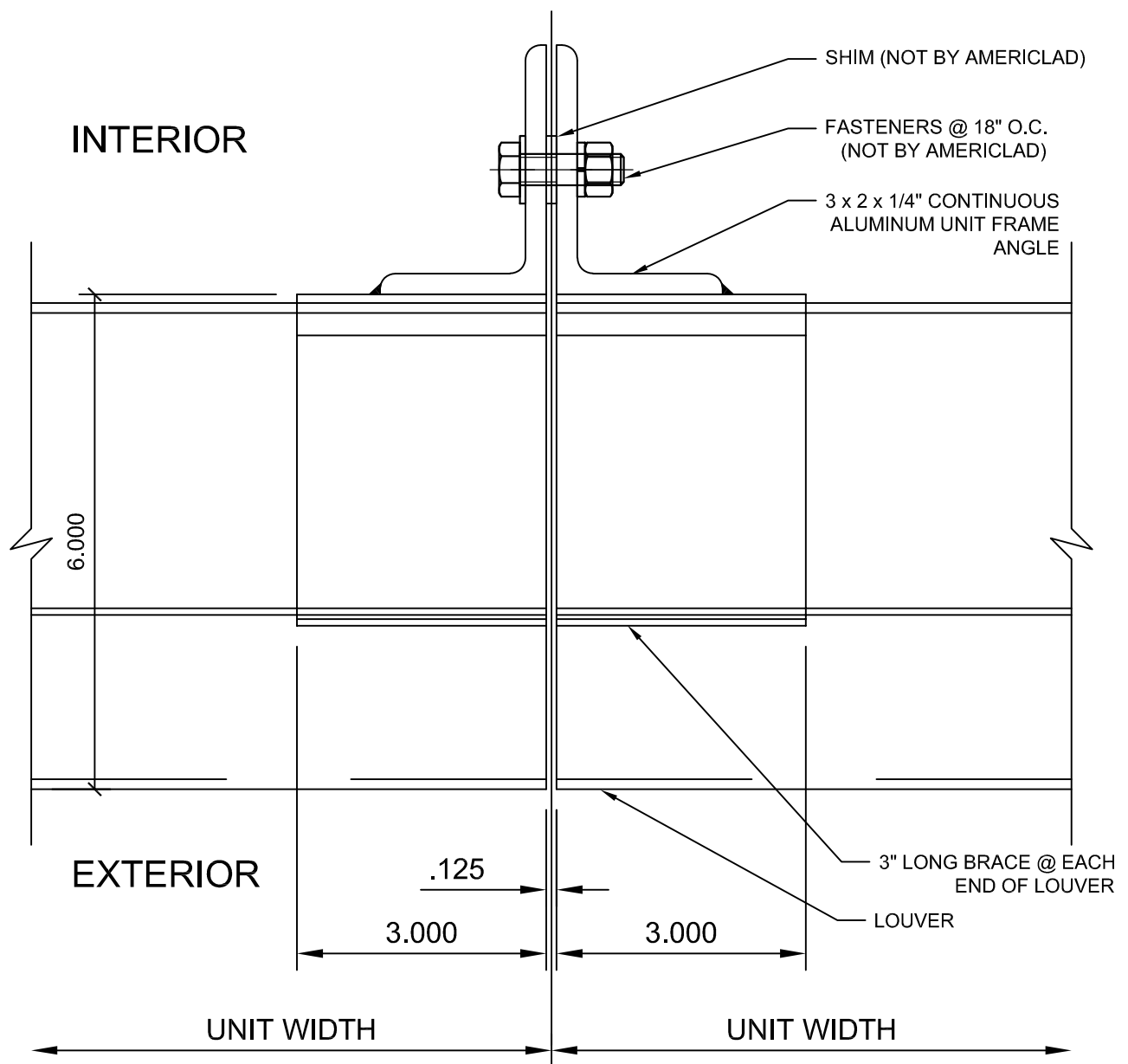


COPYRIGHT AMERICLAD, LLC

HORIZONTAL SPLICE

DETAIL C



INTERMEDIATE VERTICAL**DETAIL D**

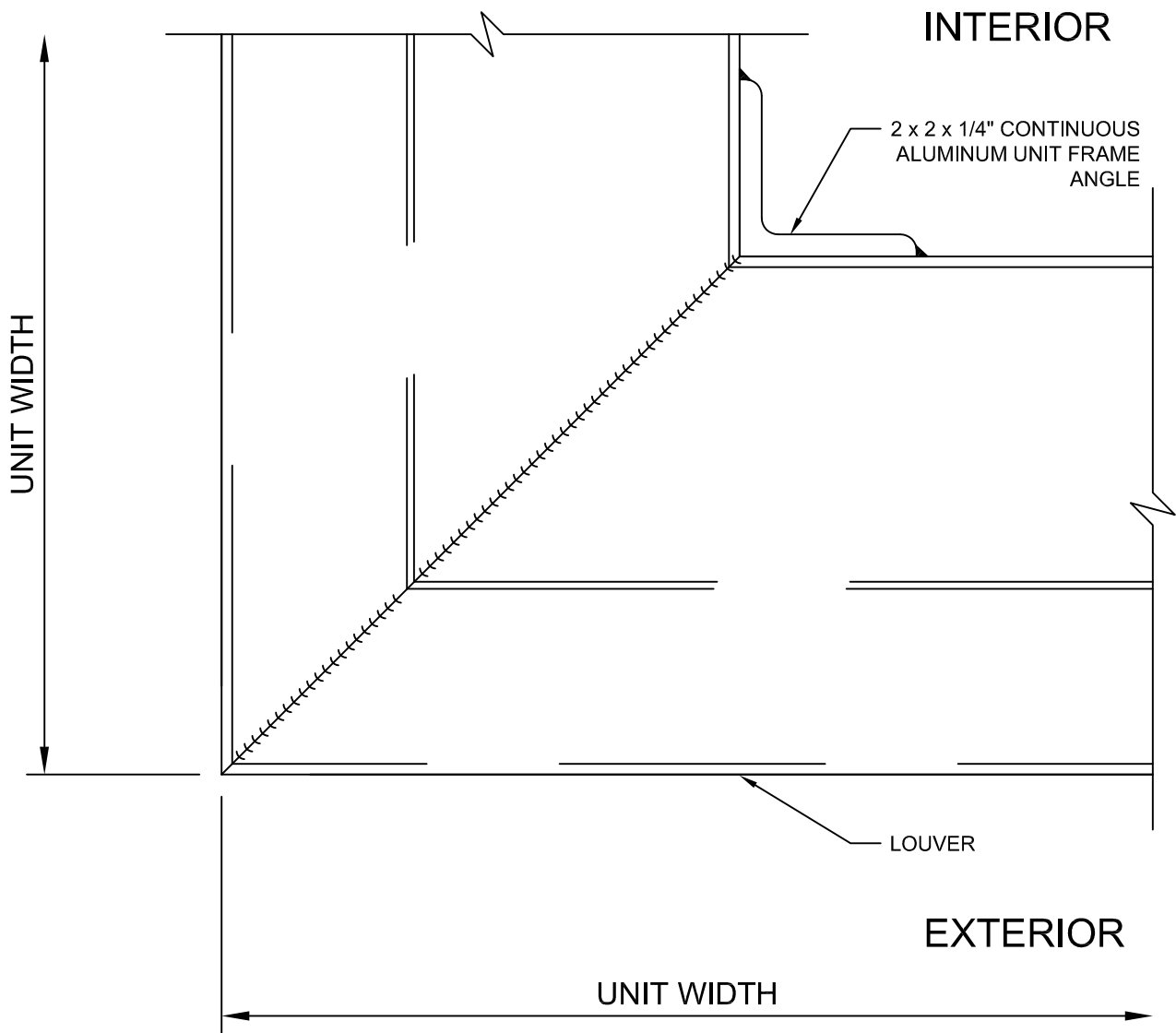
COPYRIGHT AMERICLAD, LLC

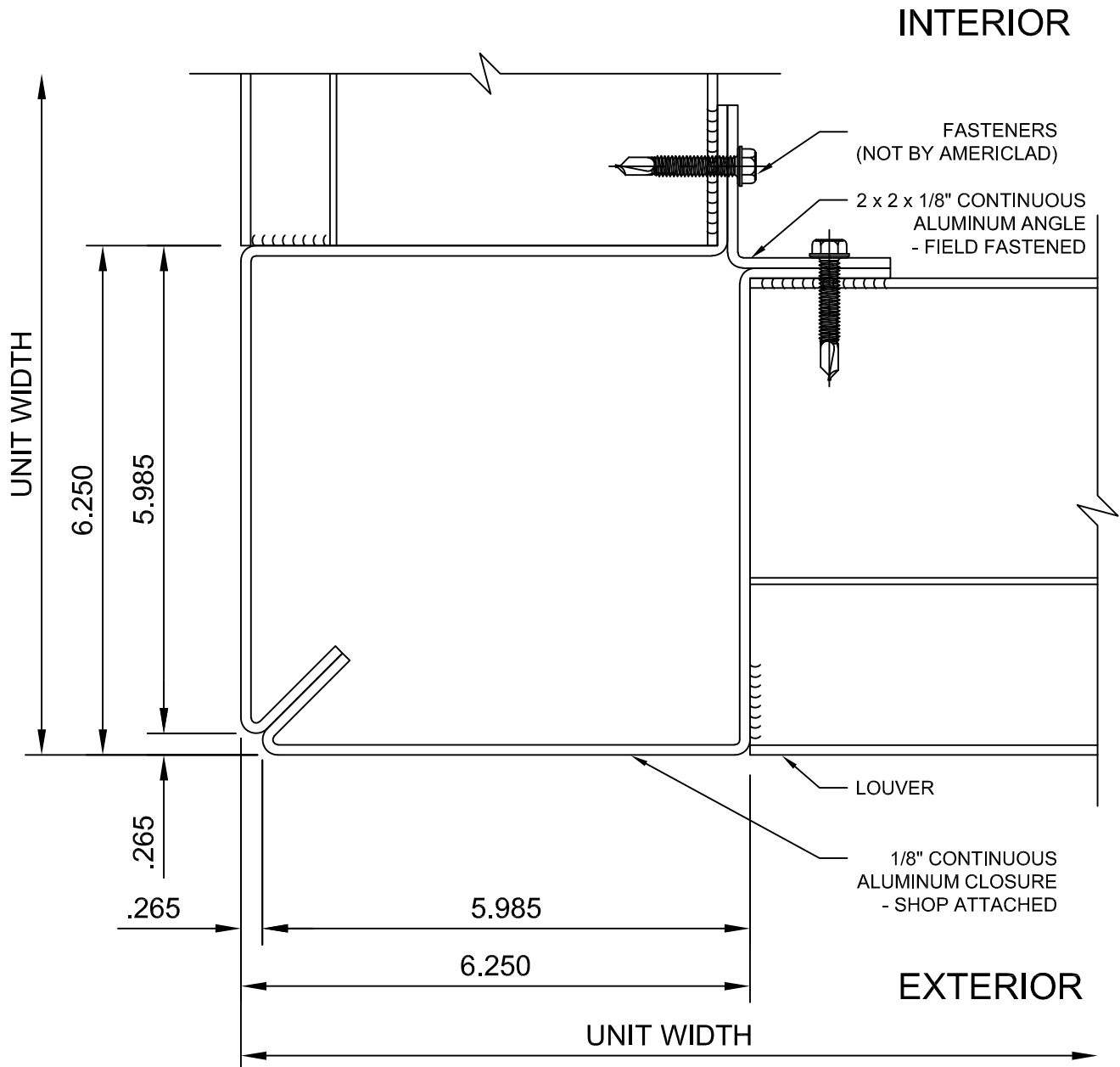
21925 Industrial Boulevard · Rogers, Minnesota · Toll-Free: 1-866-260-4047 · americlad.com

Architectural Metal Products

CORNER (1)

DETAIL E



CORNER (2)**DETAIL F**

JAMB**DETAIL G**