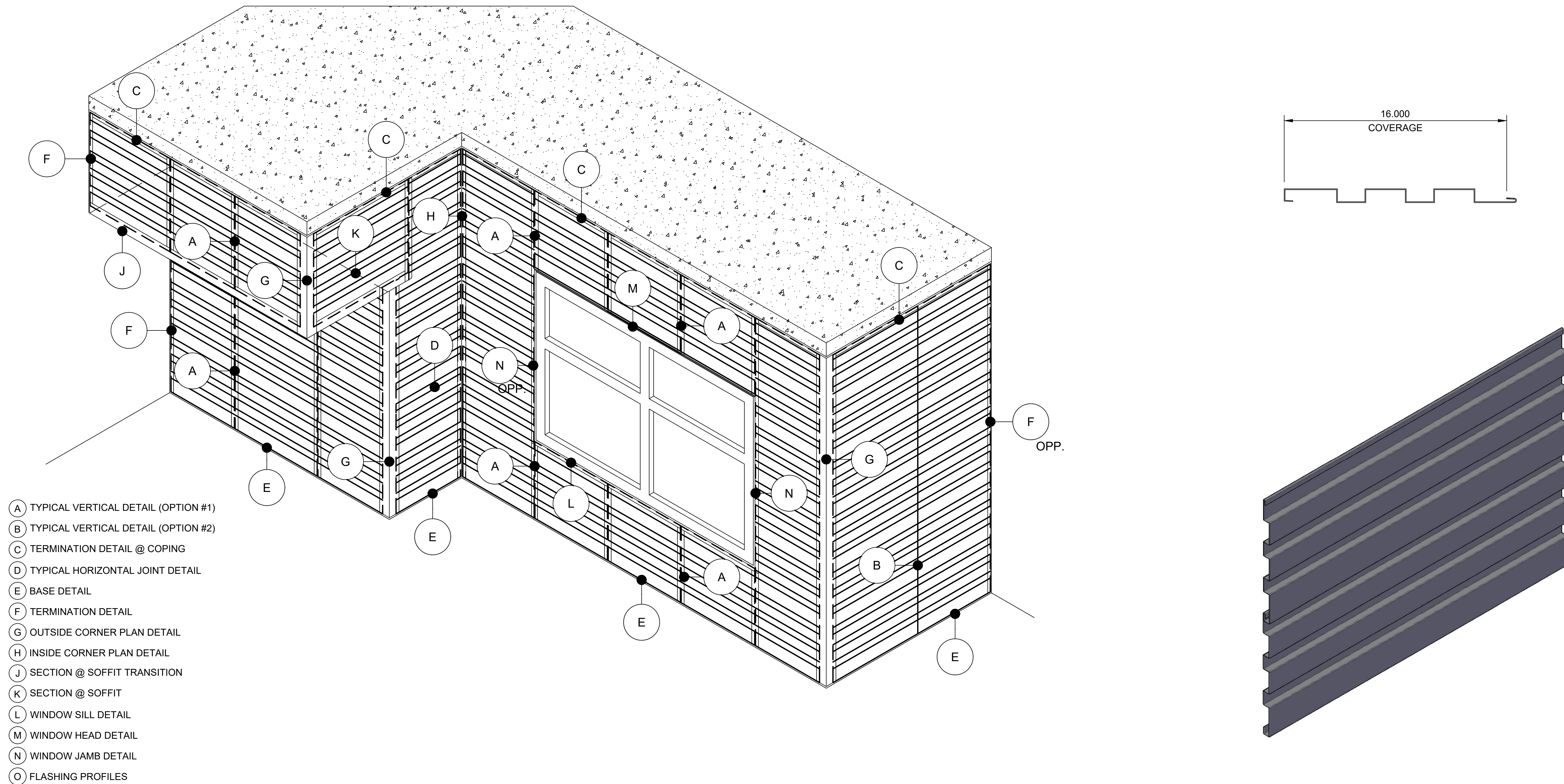
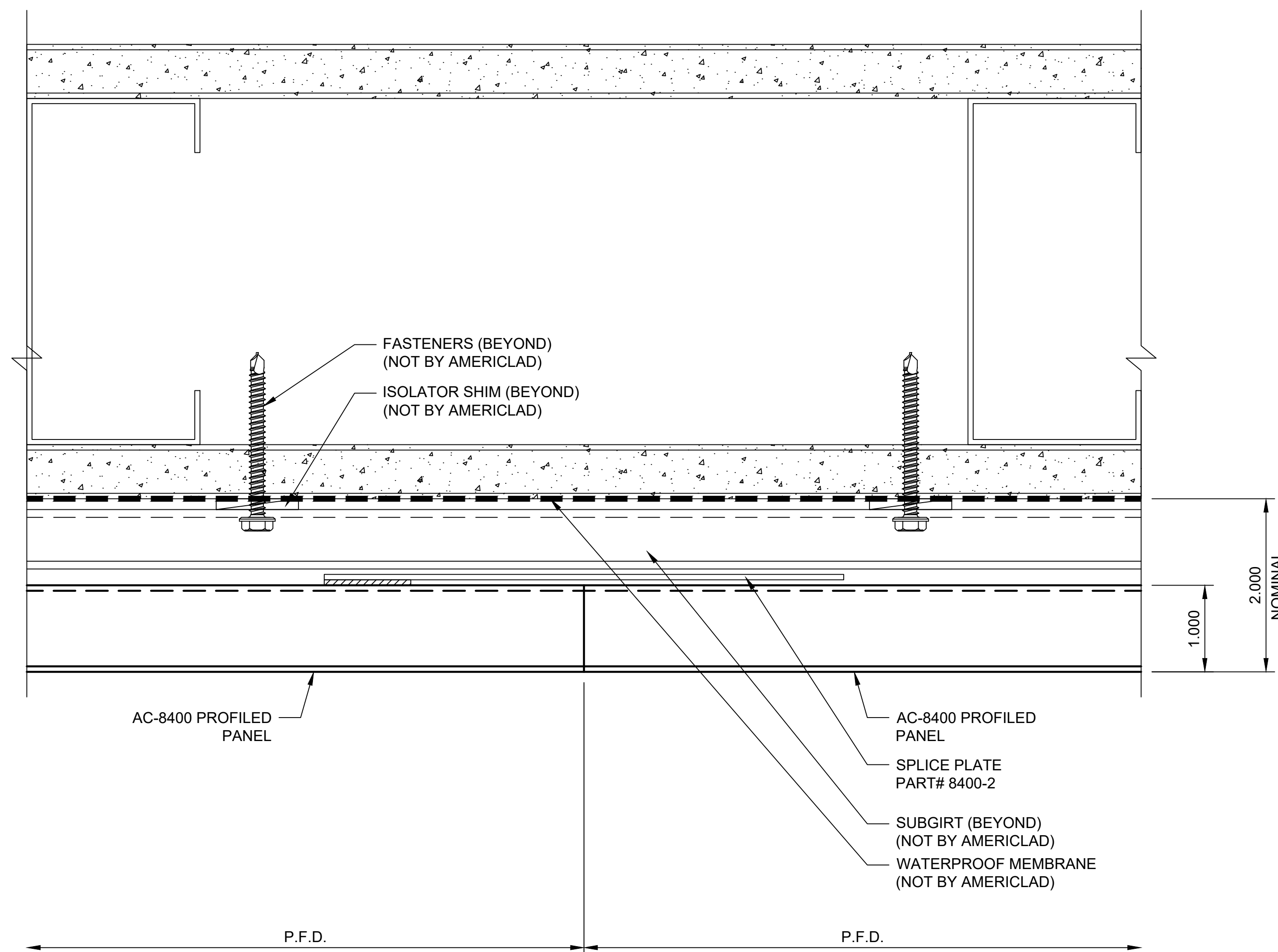


PROFILED PANEL SYSTEM
NOTE:
LOAD BEARING WALL COMPONENTS OF EITHER: 16GA STEEL STUDS, STRUCTURAL MEMBERS, MINIMUM 3/4" PLYWOOD OR CONCRETE. GYPSUM BOARD AND CEMENT BOARD ARE NOT A STRUCTURAL COMPONENT.


TYPICAL VERTICAL DETAIL (OPTION #1)

DETAIL A

NOTE:
LOAD BEARING WALL COMPONENTS OF EITHER: 16GA STEEL STUDS, STRUCTURAL MEMBERS, MINIMUM 3/4" PLYWOOD OR CONCRETE. GYPSUM BOARD AND CEMENT BOARD ARE NOT A STRUCTURAL COMPONENT.



SYSTEM COMPONENTS



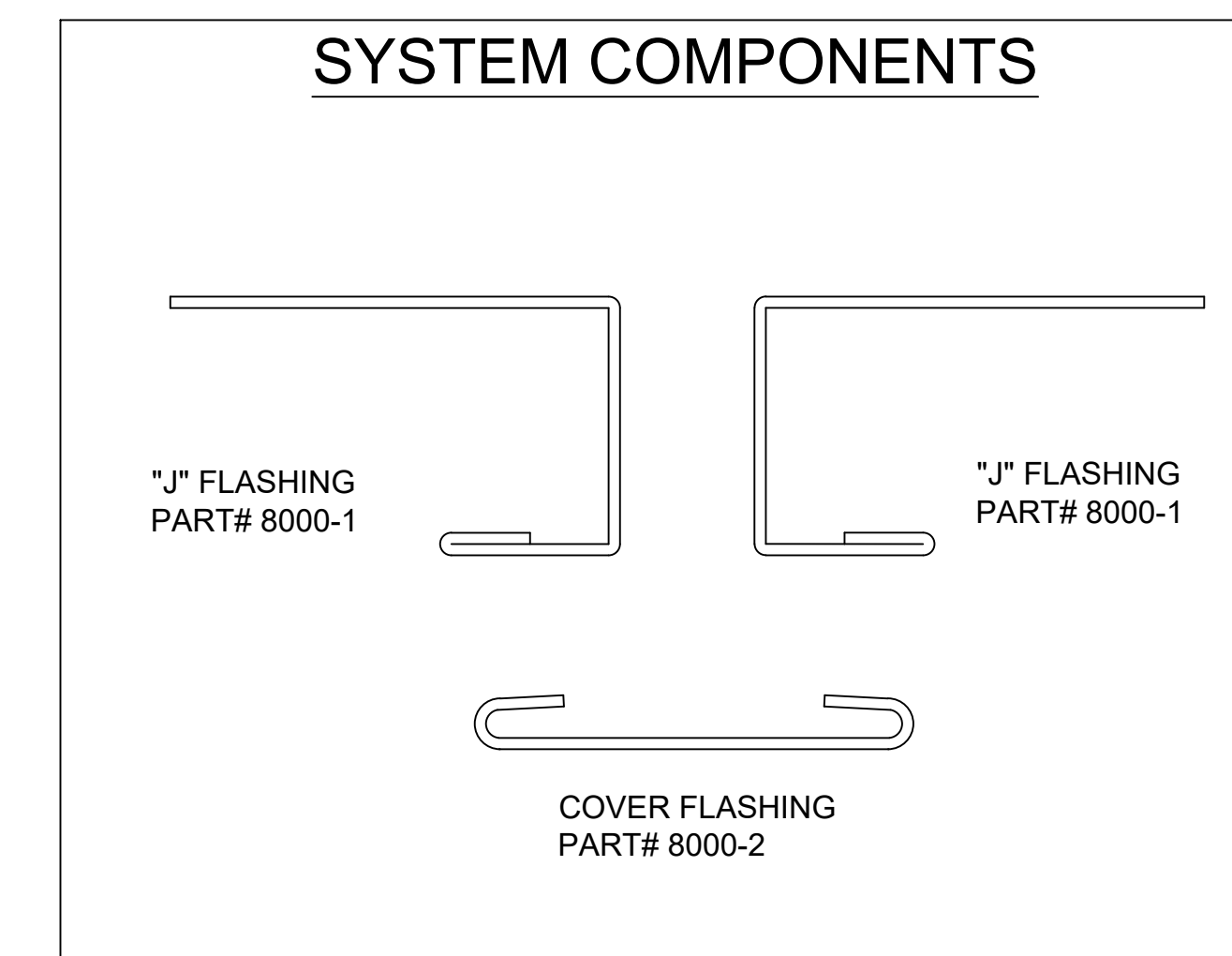
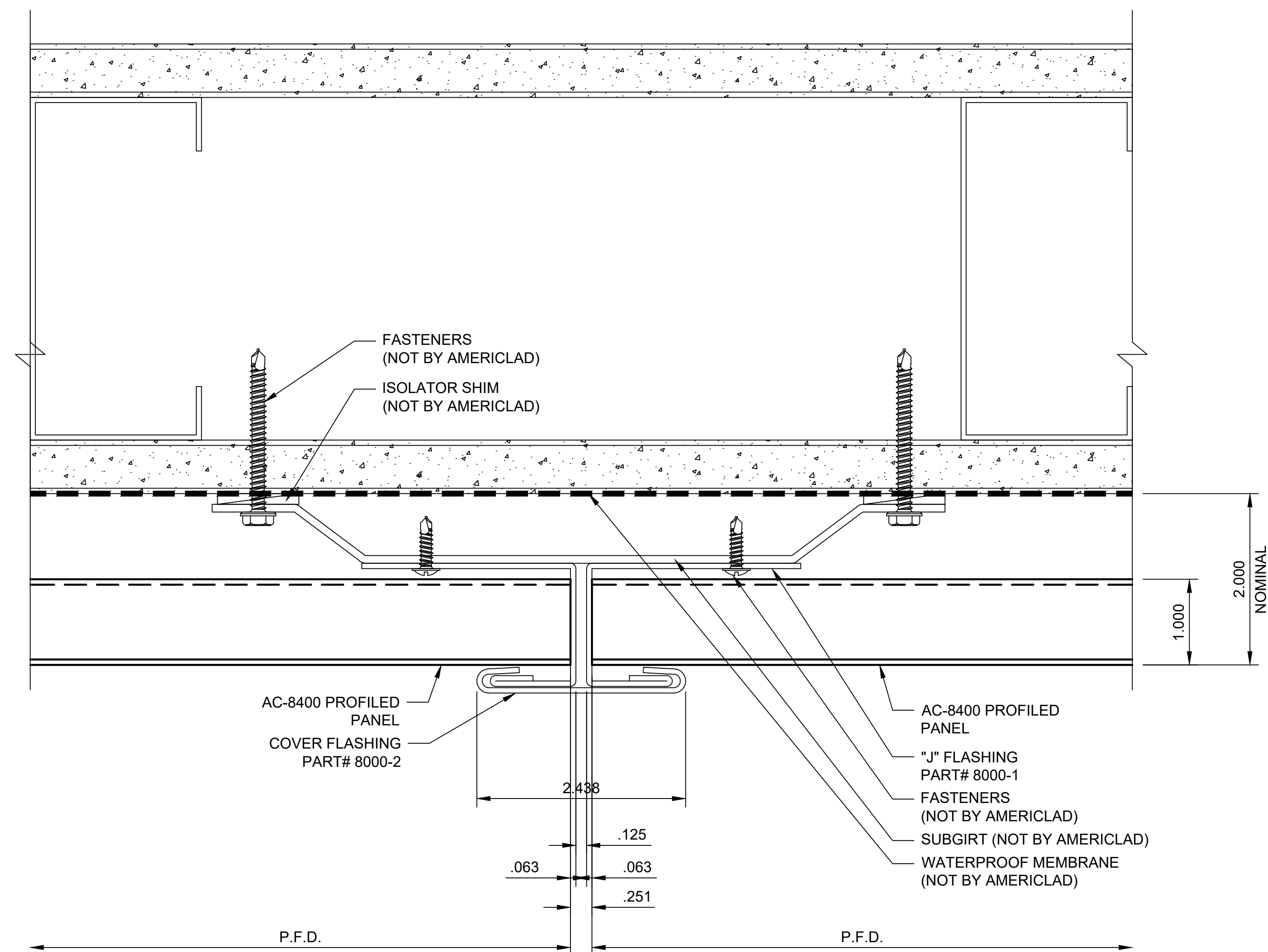
SPLICE PLATE
PART# 8400-2

NOTE: SPLICE PLATE SHOWN N.T.S.

TYPICAL VERTICAL DETAIL (OPTION #2)

DETAIL B

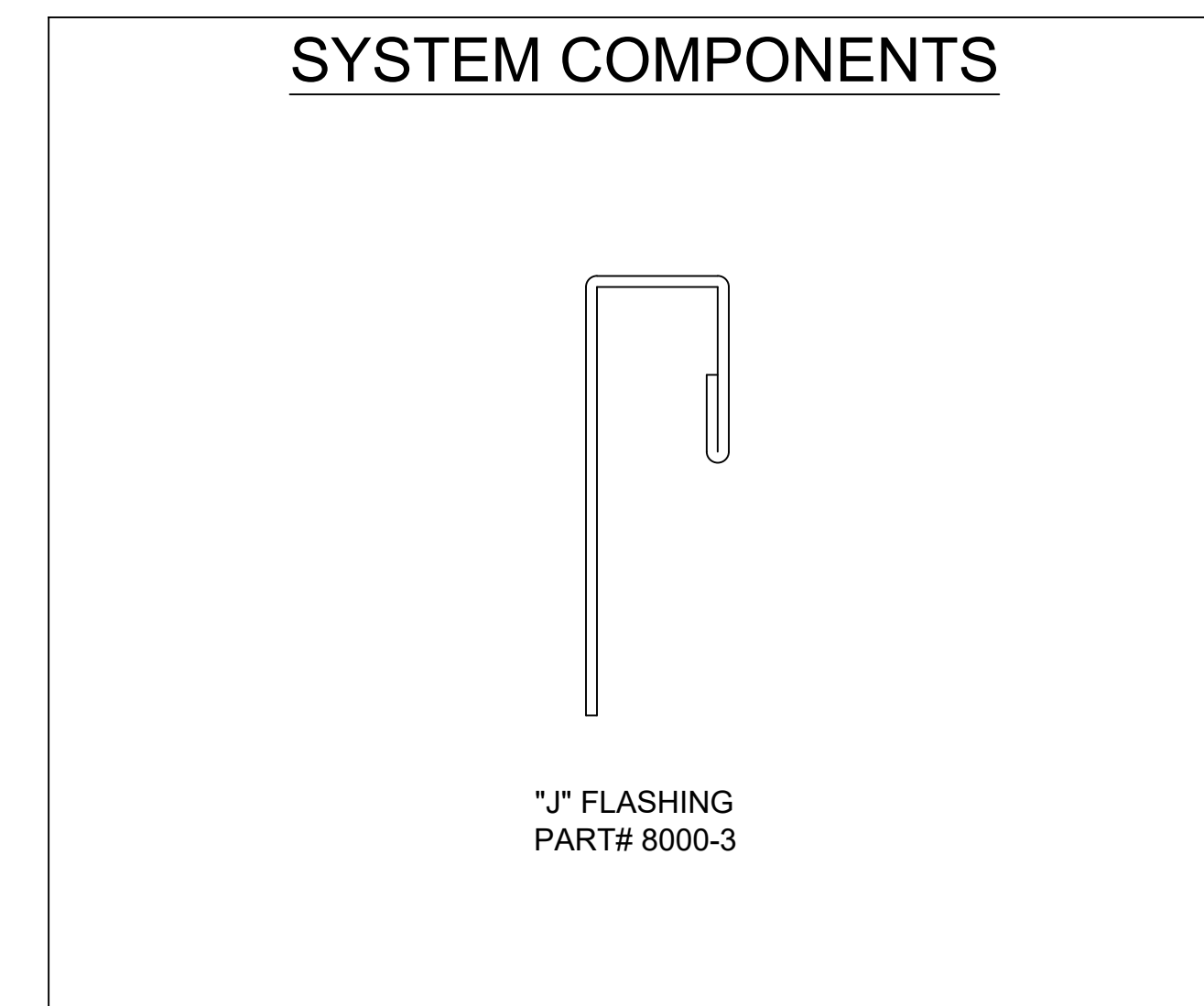
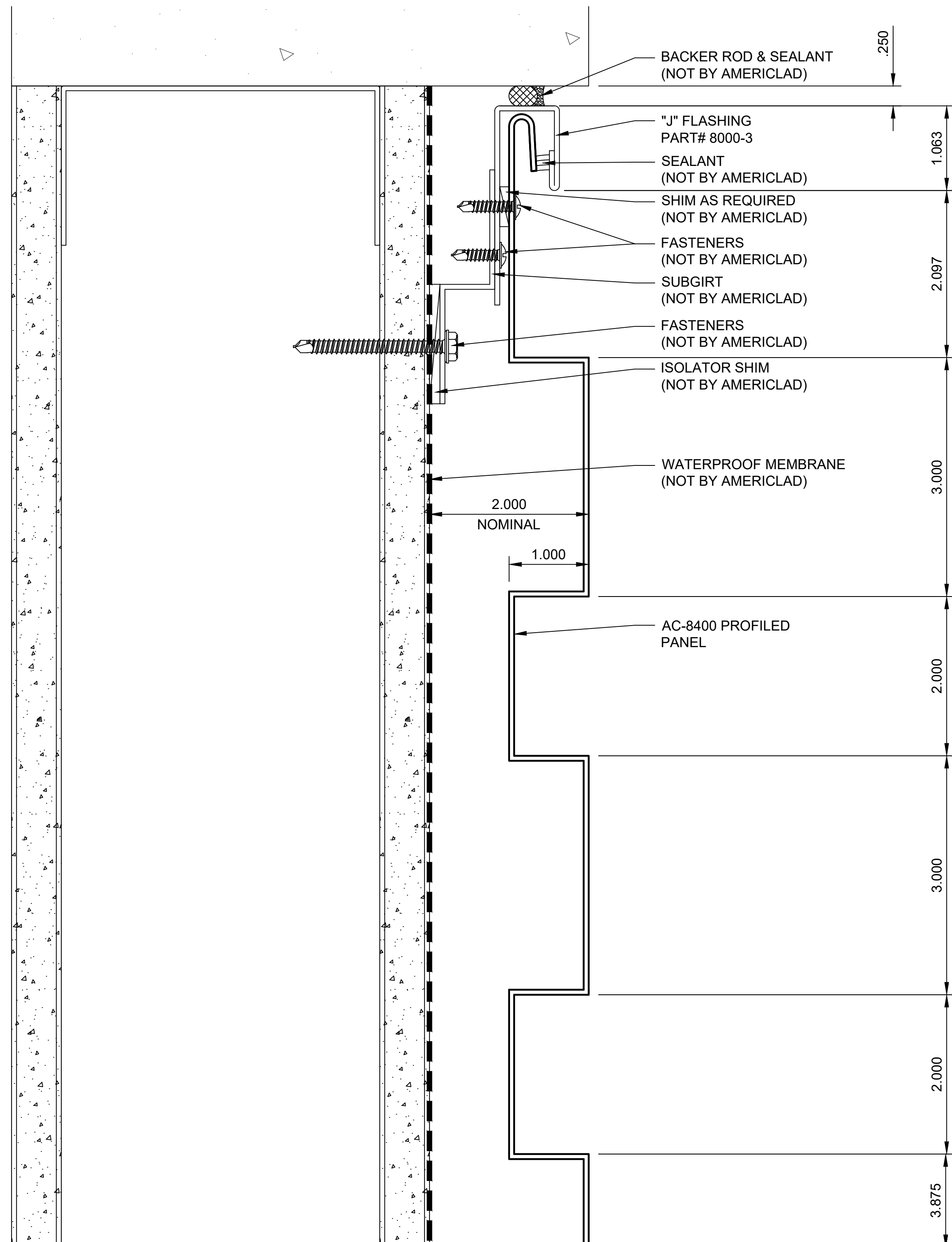
NOTE:
LOAD BEARING WALL COMPONENTS OF EITHER: 16GA STEEL STUDS, STRUCTURAL MEMBERS, MINIMUM 3/4" PLYWOOD OR CONCRETE. GYPSUM BOARD AND CEMENT BOARD ARE NOT A STRUCTURAL COMPONENT.



TERMINATION DETAIL @ COPING

DETAIL C

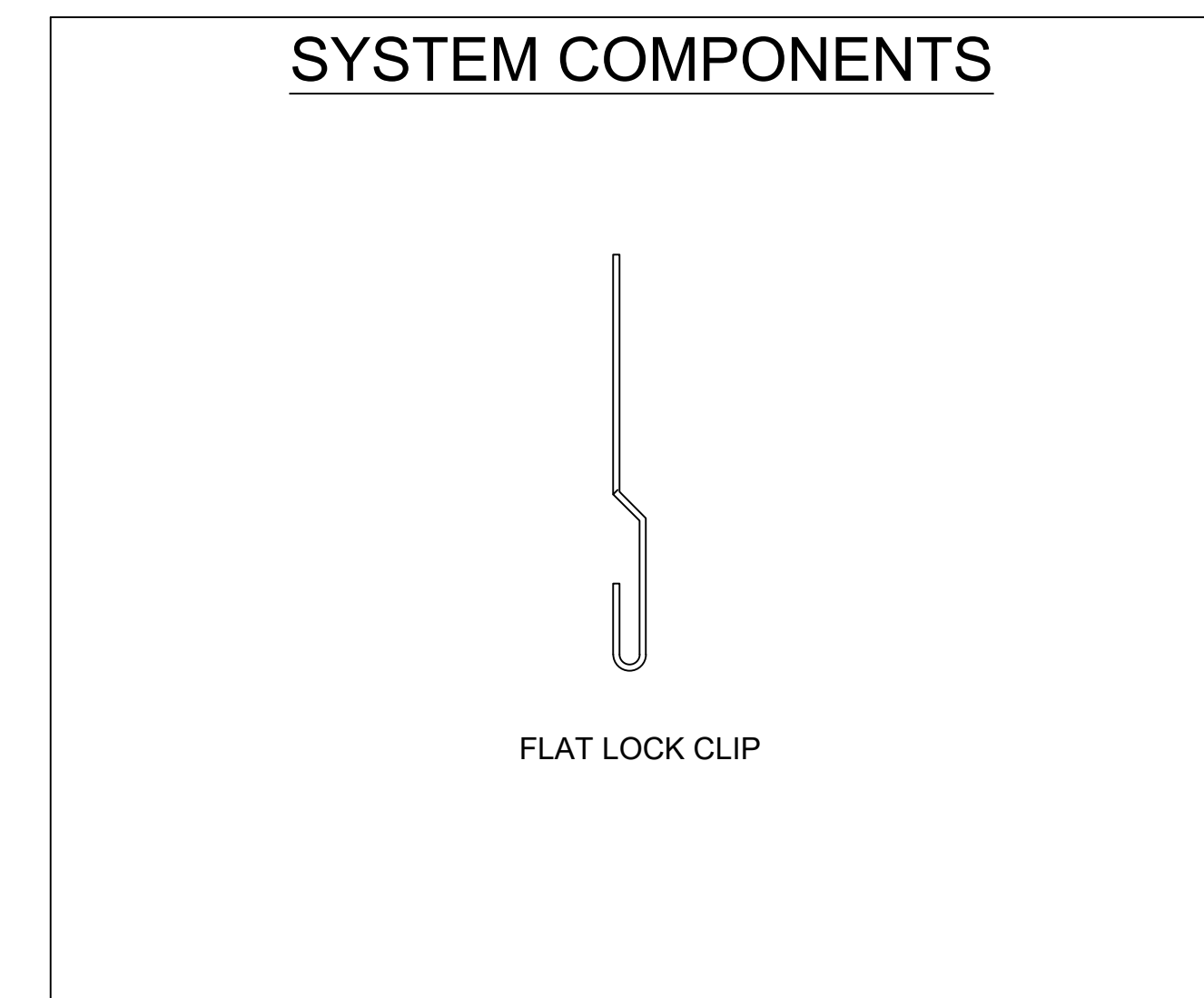
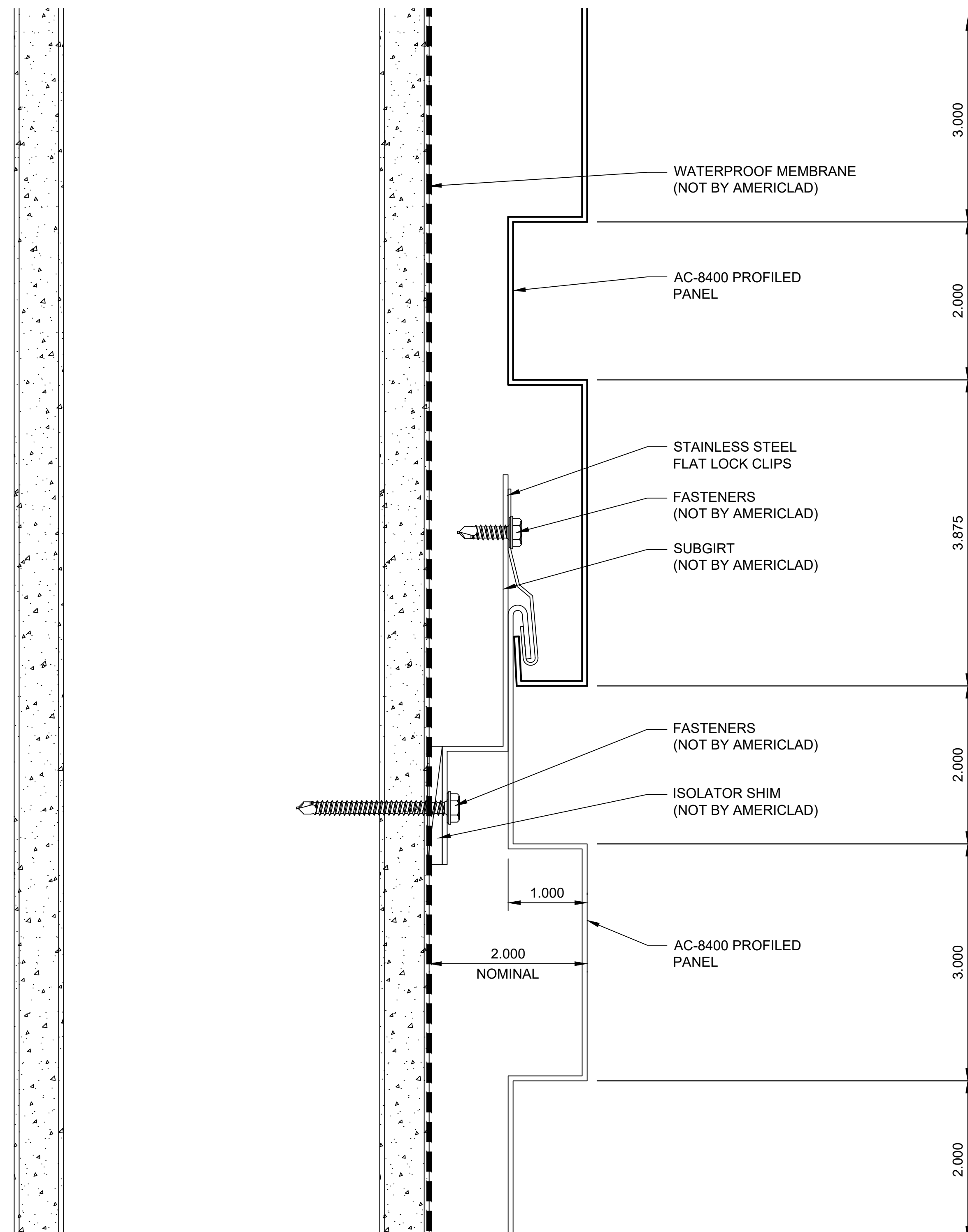
NOTE:
LOAD BEARING WALL COMPONENTS OF EITHER: 16GA STEEL STUDS, STRUCTURAL MEMBERS, MINIMUM 3/4" PLYWOOD OR CONCRETE. GYPSUM BOARD AND CEMENT BOARD ARE NOT A STRUCTURAL COMPONENT.



TYPICAL HORIZONTAL JOINT DETAIL

DETAIL D

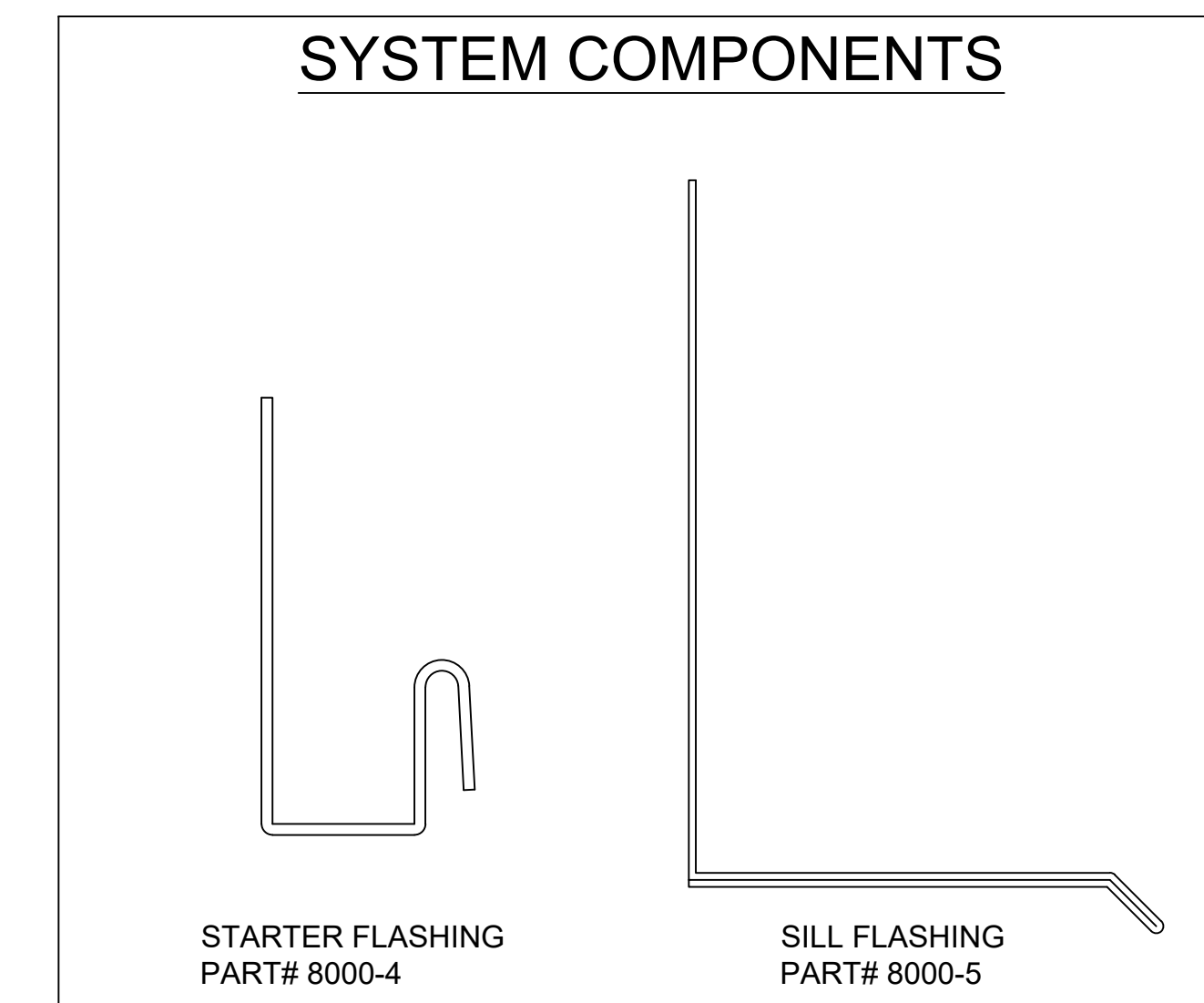
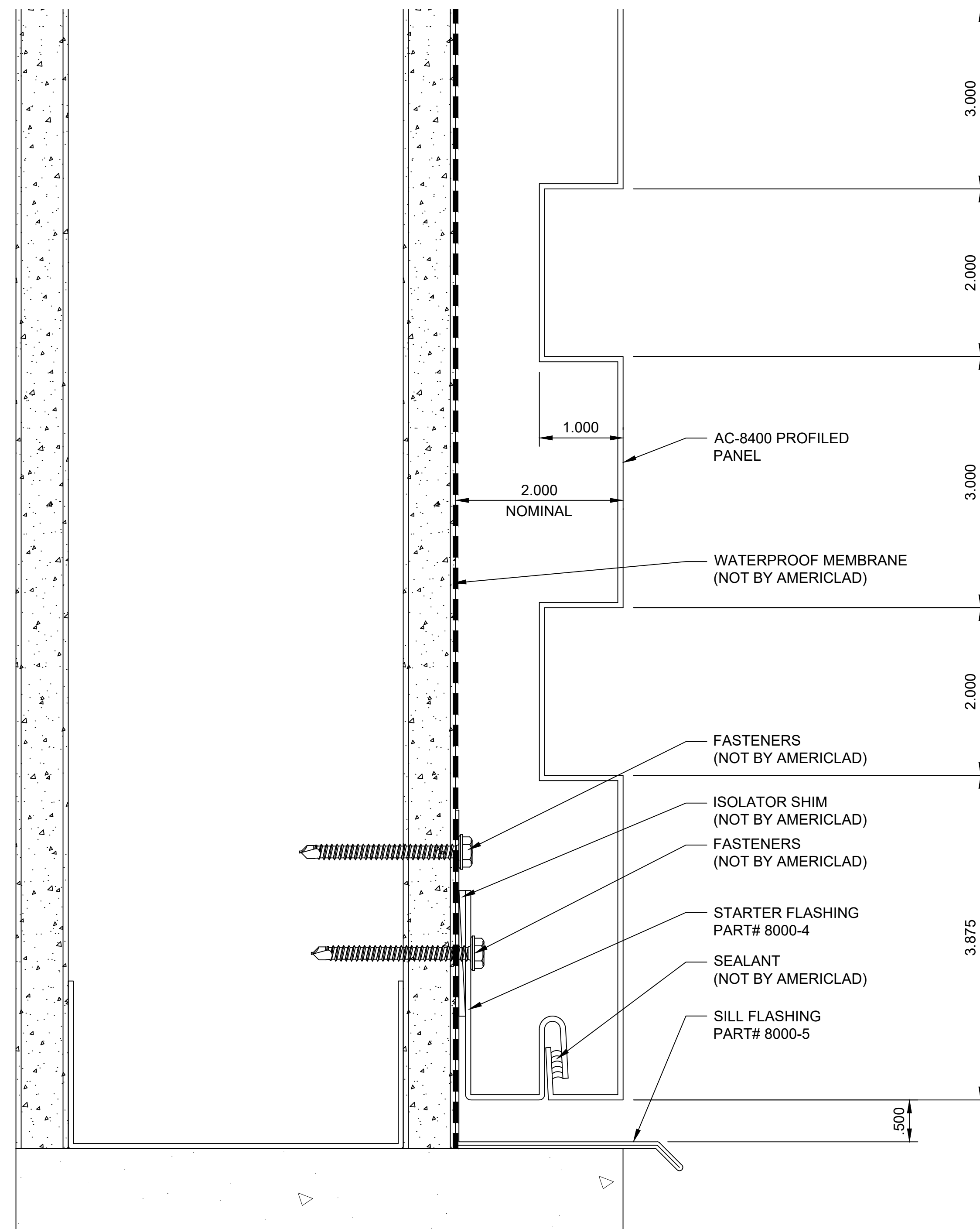
NOTE:
LOAD BEARING WALL COMPONENTS OF EITHER: 16GA STEEL STUDS, STRUCTURAL MEMBERS, MINIMUM 3/4" PLYWOOD OR CONCRETE. GYPSUM BOARD AND CEMENT BOARD ARE NOT A STRUCTURAL COMPONENT.



BASE DETAIL

DETAIL E

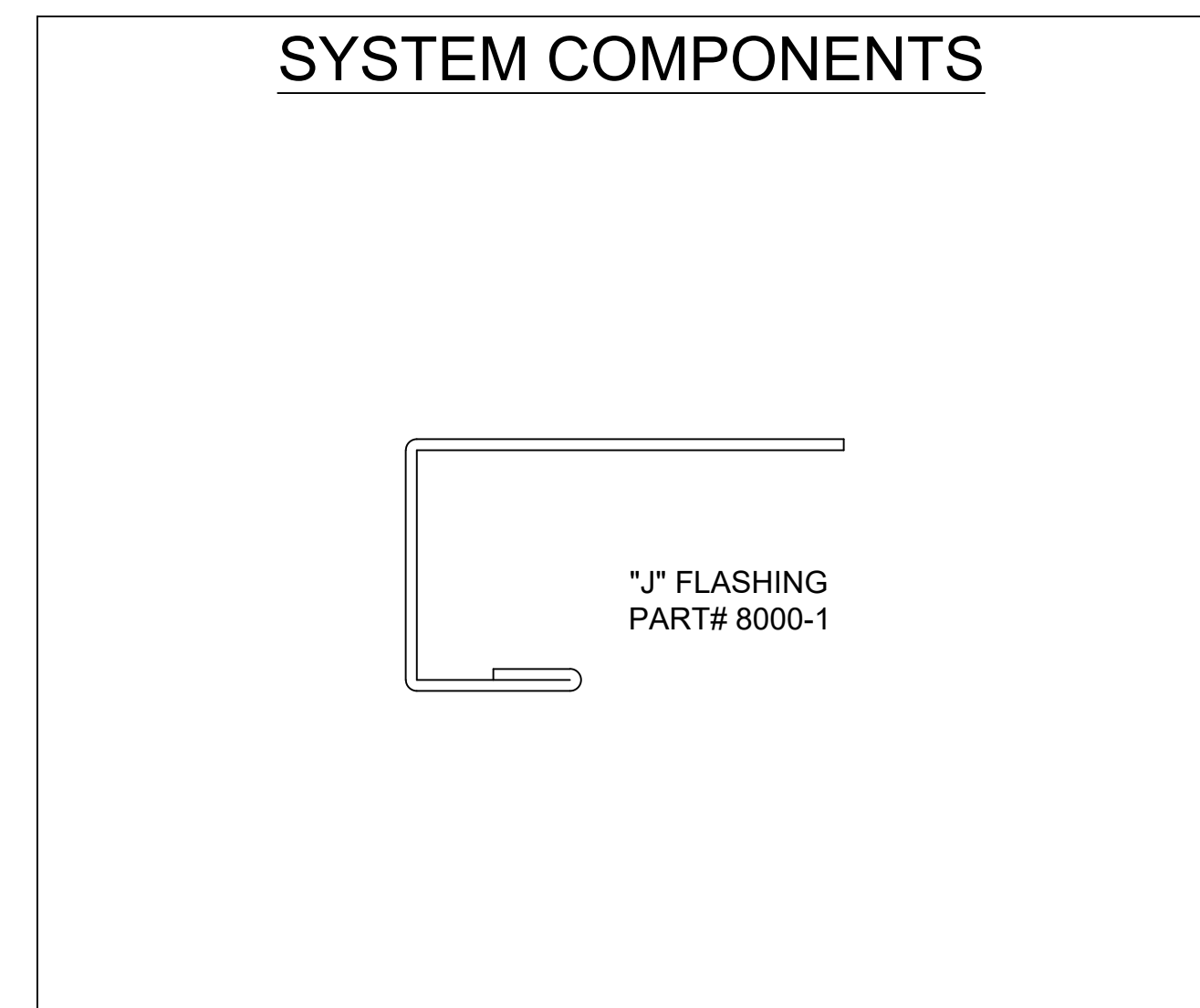
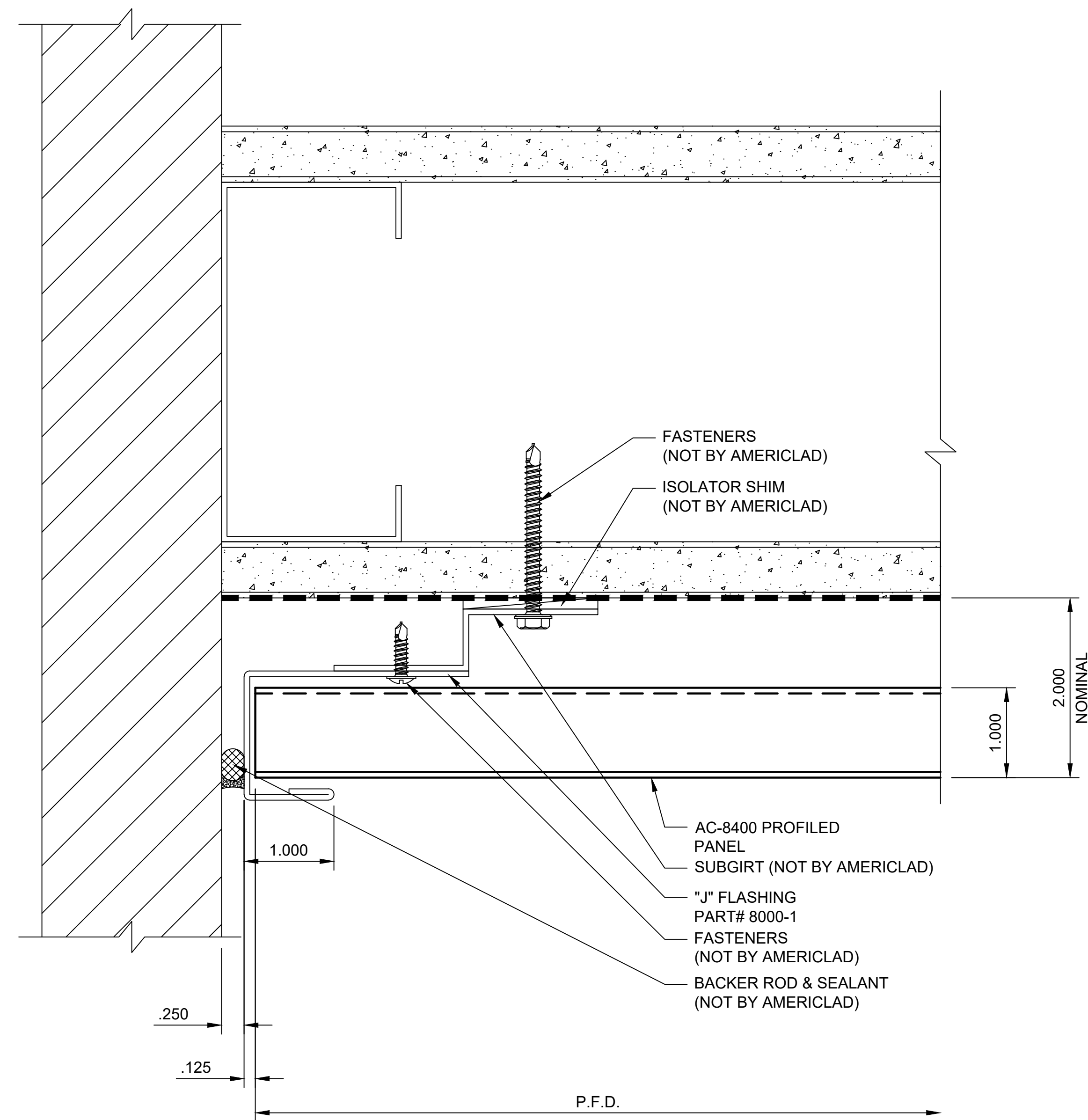
NOTE:
 LOAD BEARING WALL COMPONENTS OF EITHER: 16GA STEEL STUDS, STRUCTURAL MEMBERS, MINIMUM 3/4" PLYWOOD OR CONCRETE. GYPSUM BOARD AND CEMENT BOARD ARE NOT A STRUCTURAL COMPONENT.



TERMINATION DETAIL

DETAIL F

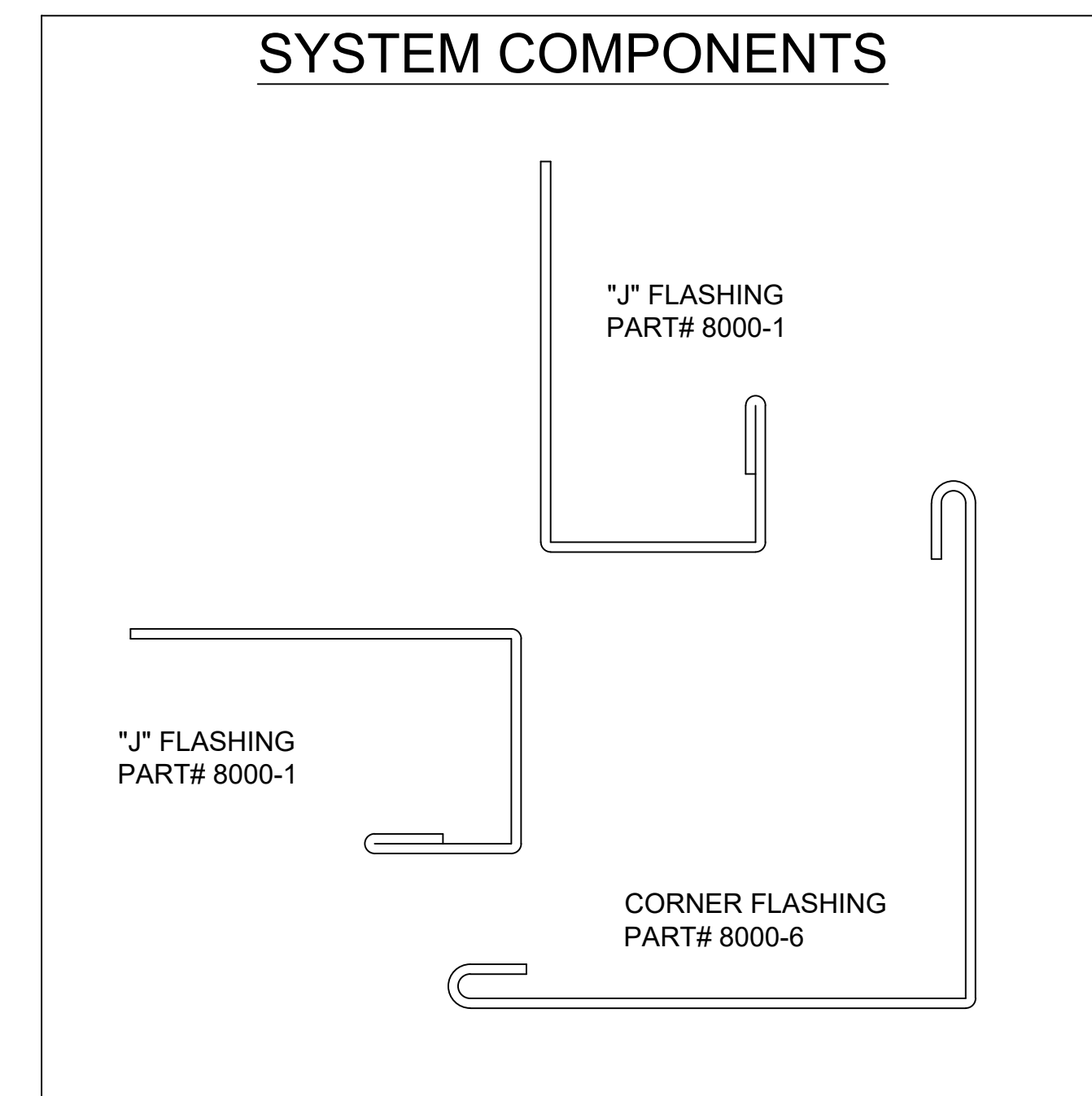
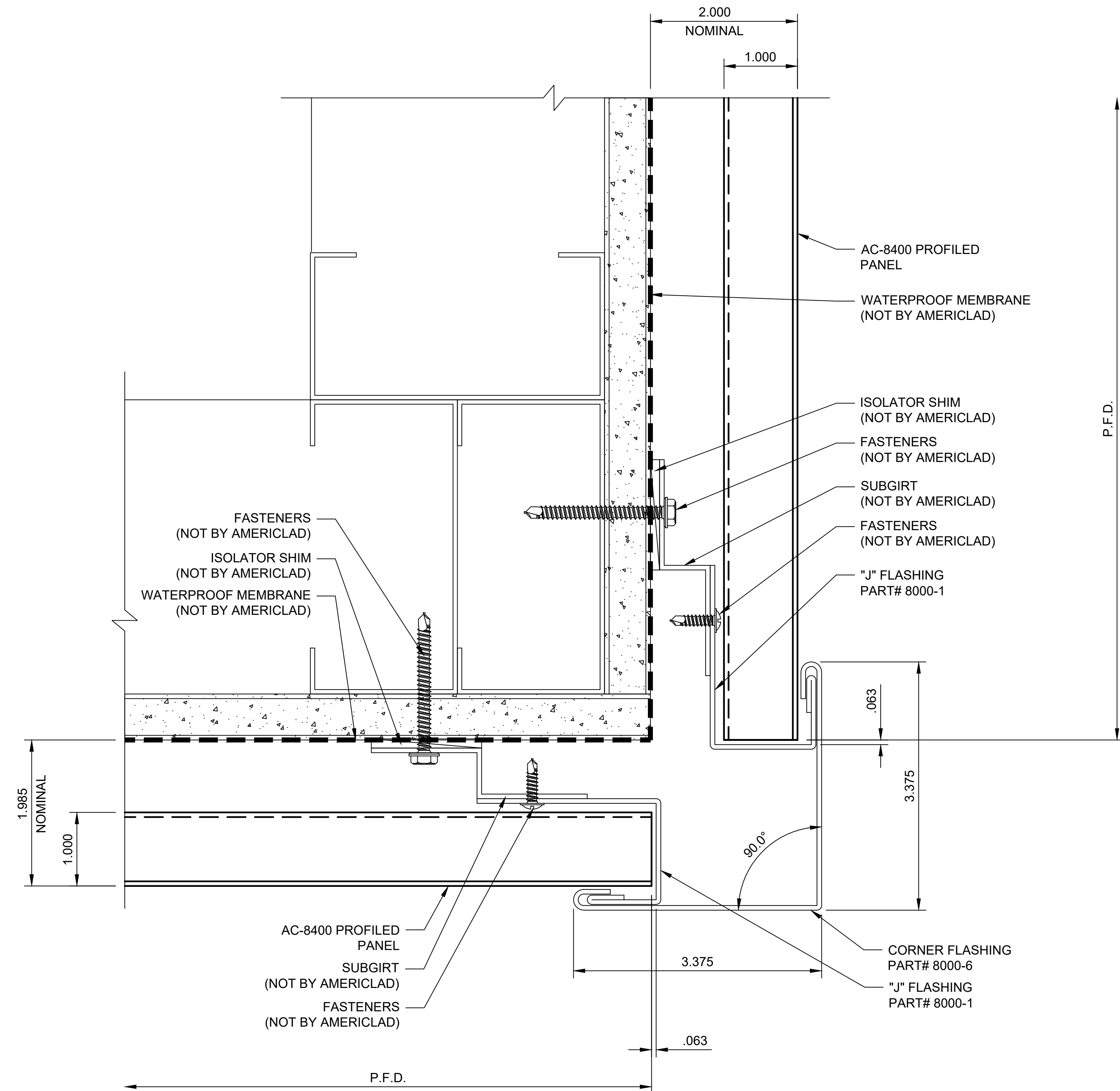
NOTE:
LOAD BEARING WALL COMPONENTS OF EITHER: 16GA STEEL STUDS, STRUCTURAL MEMBERS, MINIMUM 3/4" PLYWOOD OR CONCRETE. GYPSUM BOARD AND CEMENT BOARD ARE NOT A STRUCTURAL COMPONENT.



OUTSIDE CORNER PLAN DETAIL

DETAIL G

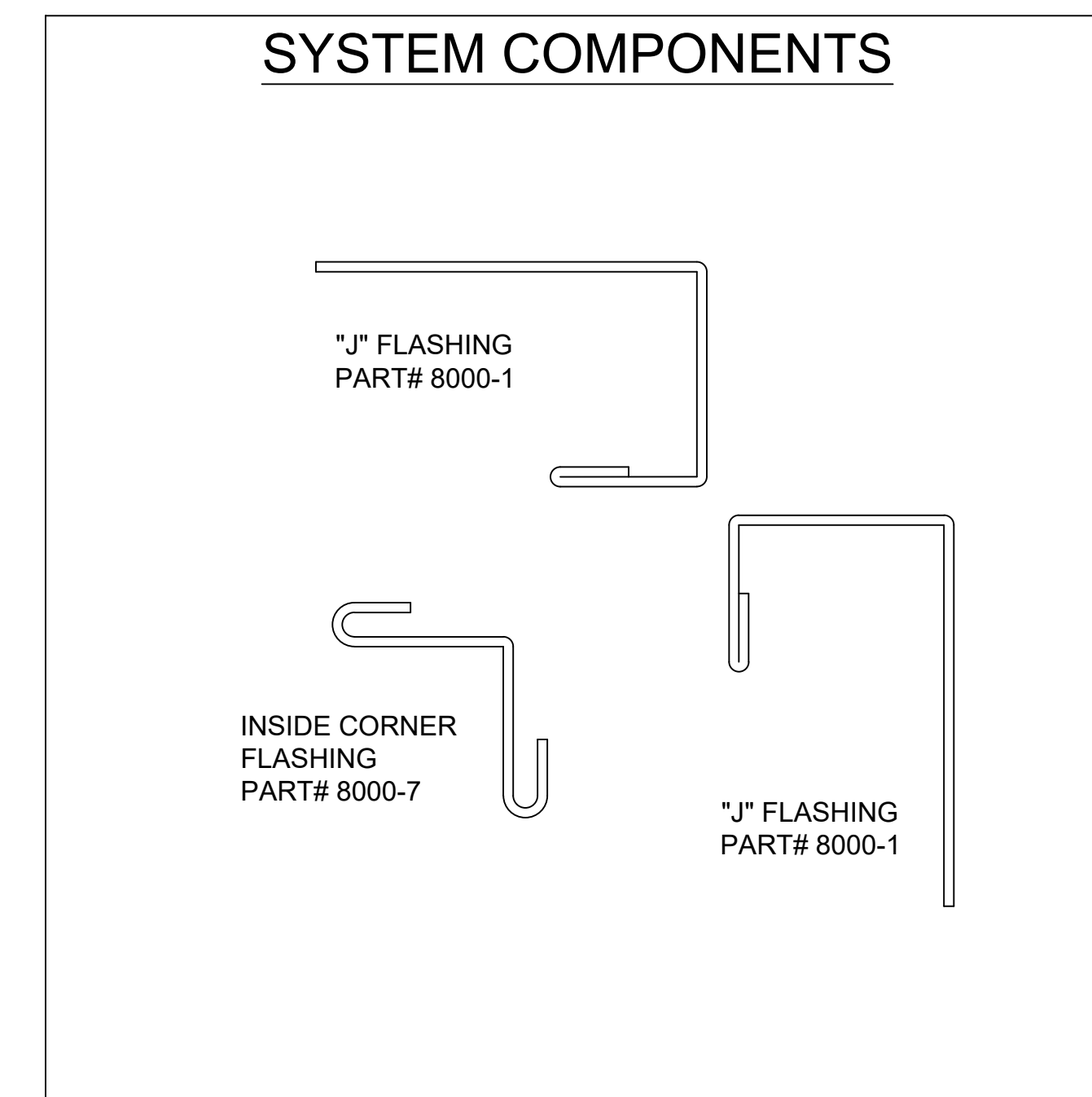
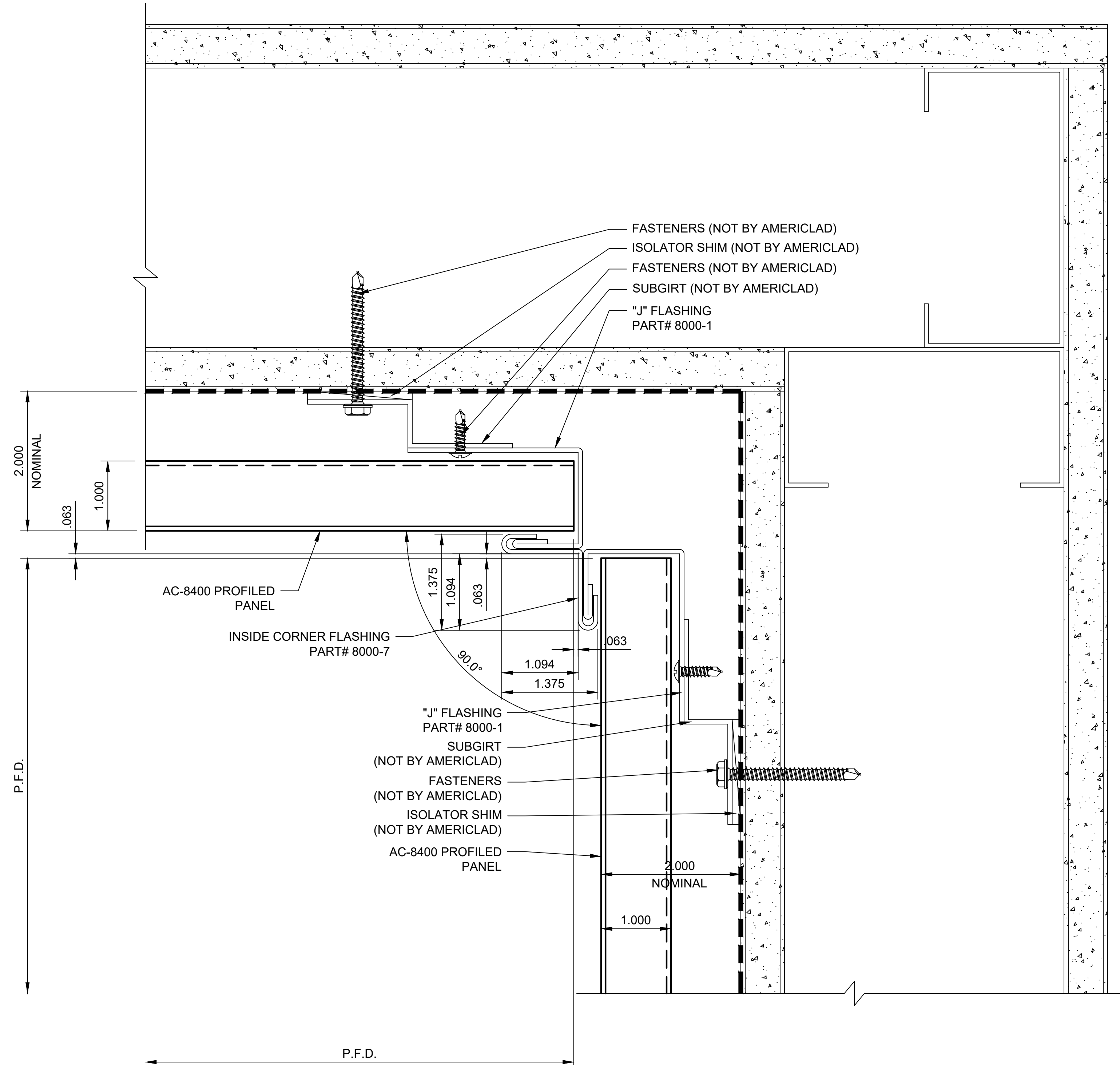
NOTE:
 LOAD BEARING WALL COMPONENTS OF EITHER: 16GA STEEL STUDS, STRUCTURAL MEMBERS, MINIMUM 3/4" PLYWOOD OR CONCRETE. GYPSUM BOARD AND CEMENT BOARD ARE NOT A STRUCTURAL COMPONENT.



INSIDE CORNER PLAN DETAIL

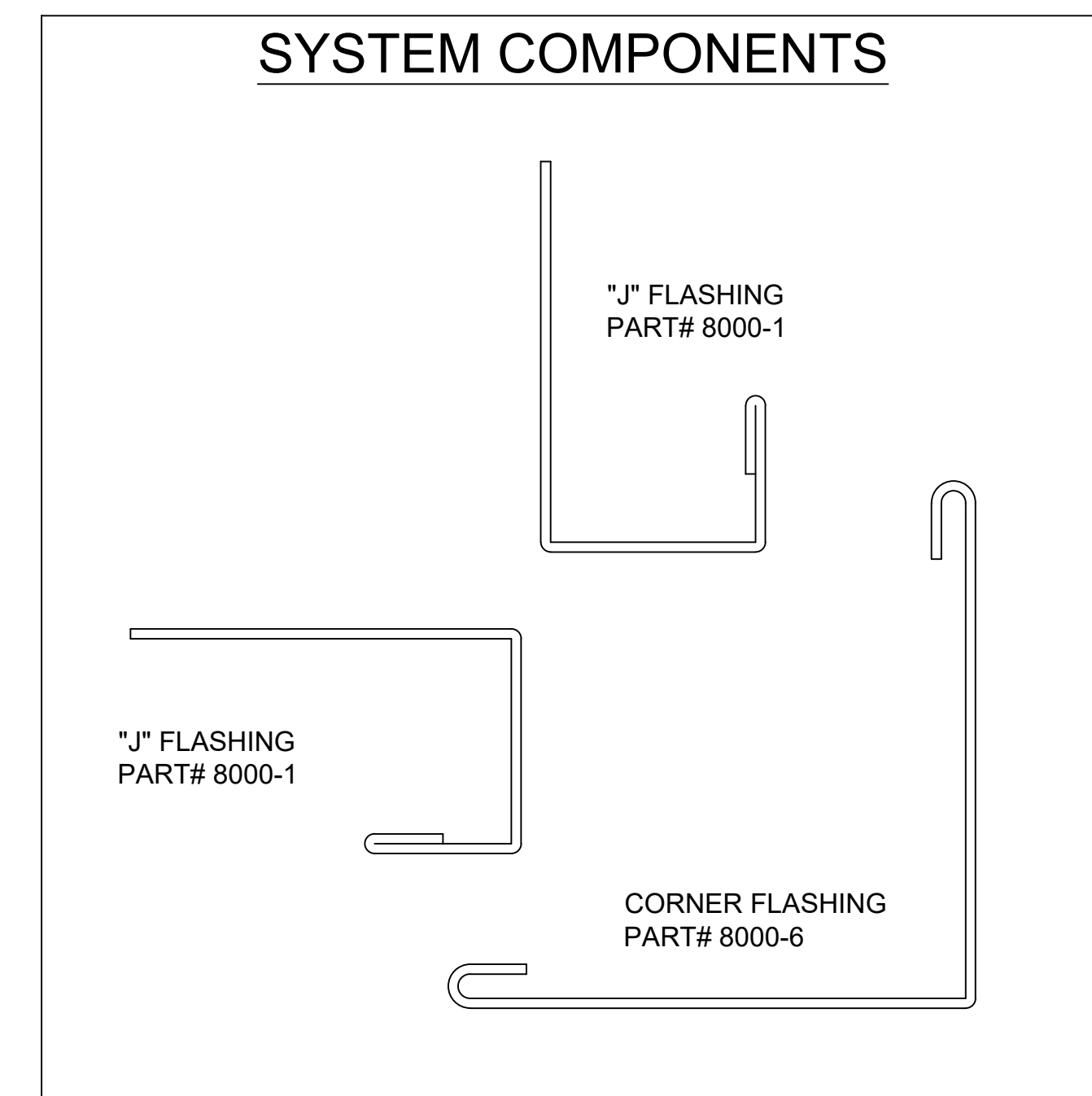
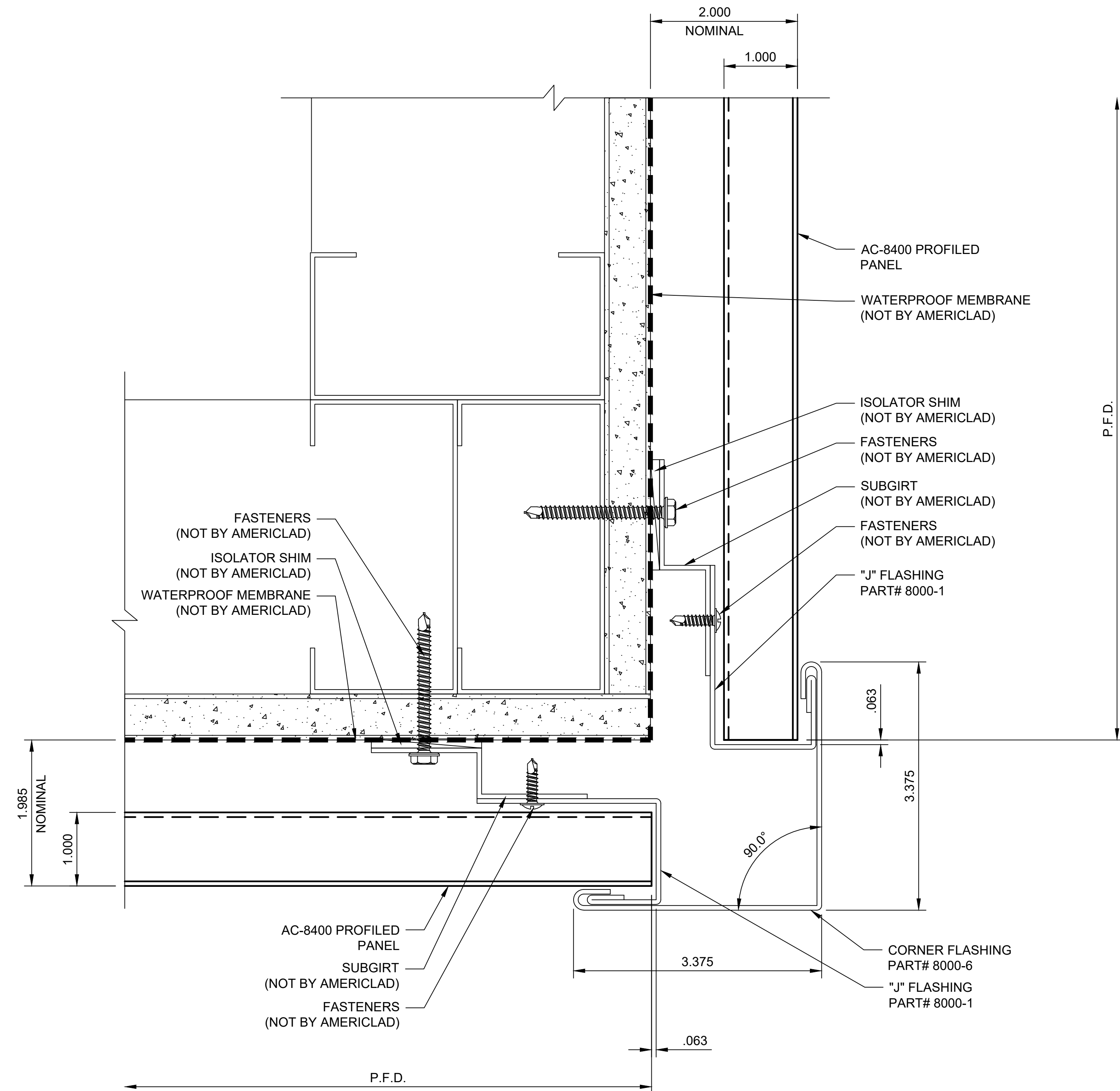
DETAIL H

NOTE:
 LOAD BEARING WALL COMPONENTS OF EITHER: 16GA STEEL STUDS, STRUCTURAL MEMBERS, MINIMUM 3/4" PLYWOOD OR CONCRETE. GYPSUM BOARD AND CEMENT BOARD ARE NOT A STRUCTURAL COMPONENT.



SECTION @ SOFFIT TRANSITION
DETAIL J

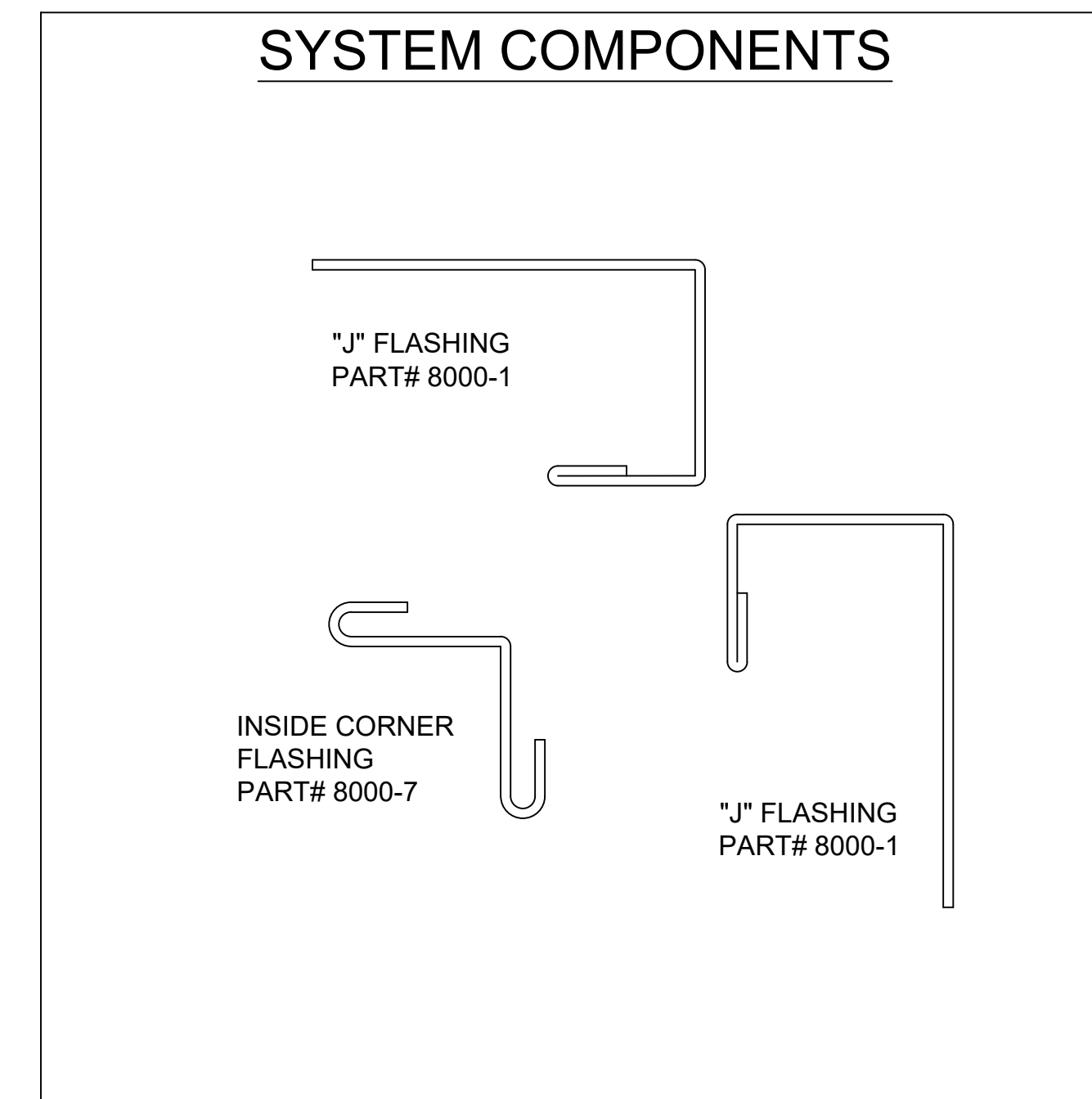
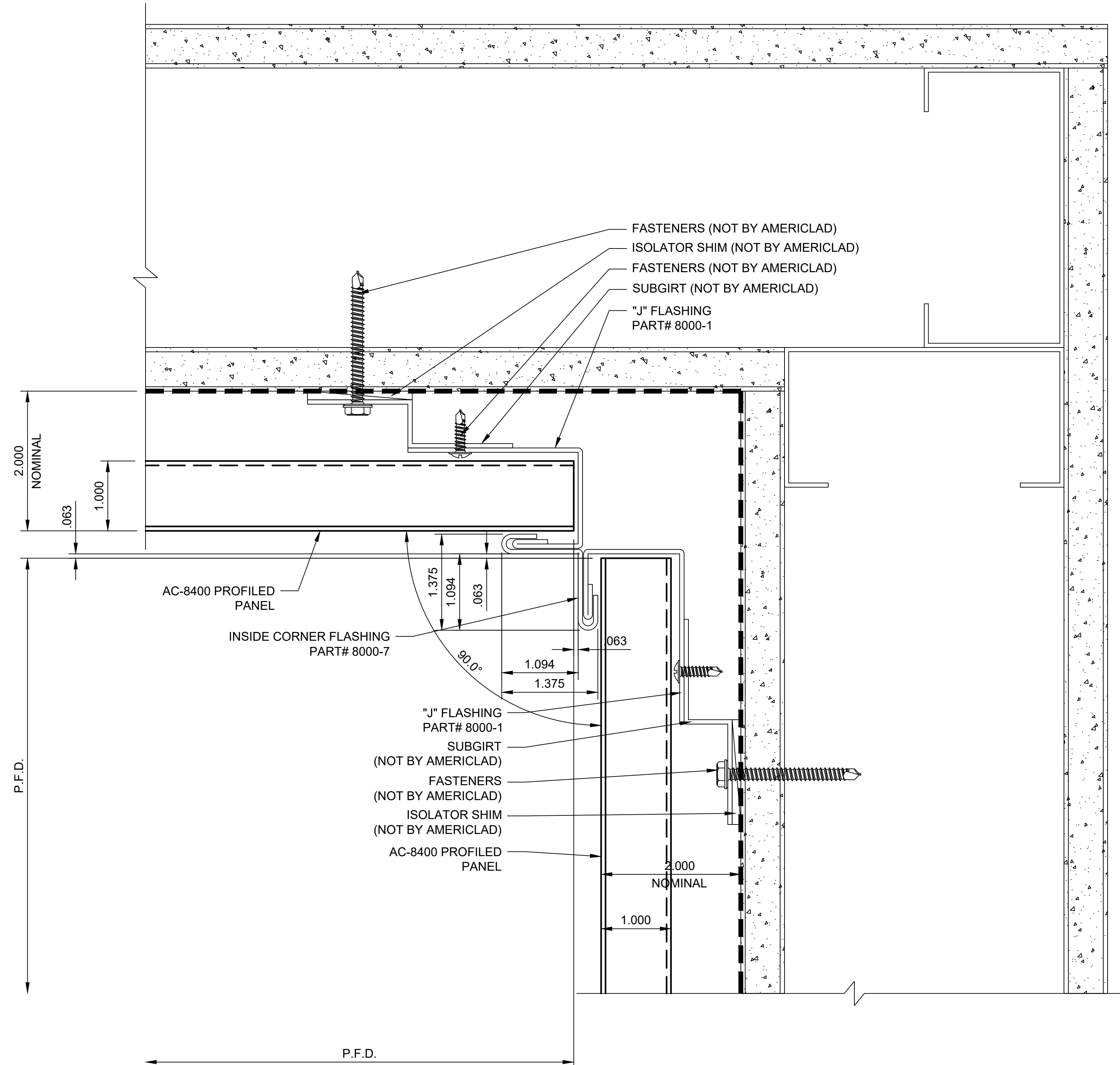
NOTE:
LOAD BEARING WALL COMPONENTS OF EITHER: 16GA STEEL STUDS, STRUCTURAL MEMBERS, MINIMUM 3/4" PLYWOOD OR CONCRETE. GYPSUM BOARD AND CEMENT BOARD ARE NOT A STRUCTURAL COMPONENT.



SECTION @ SOFFIT

DETAIL K

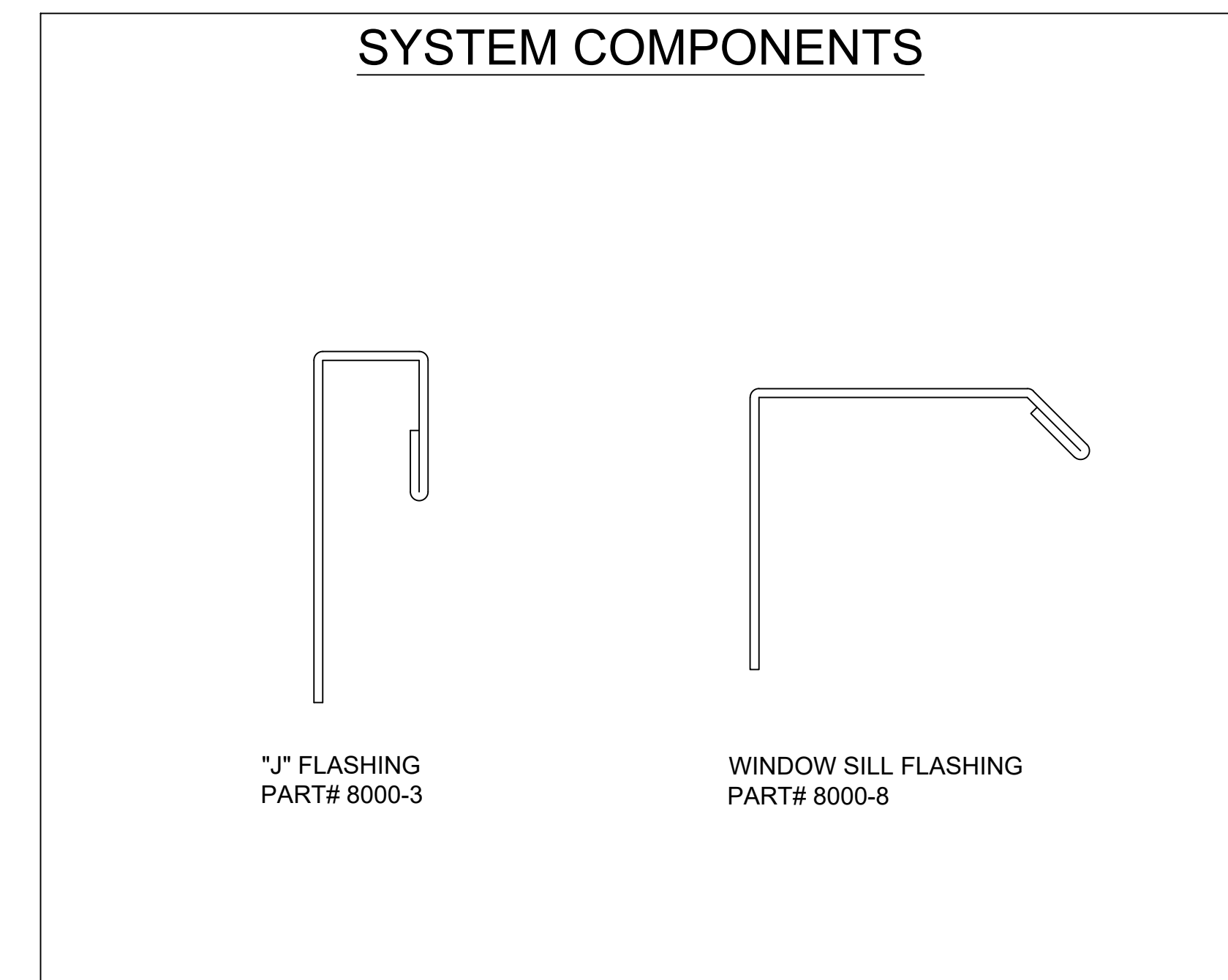
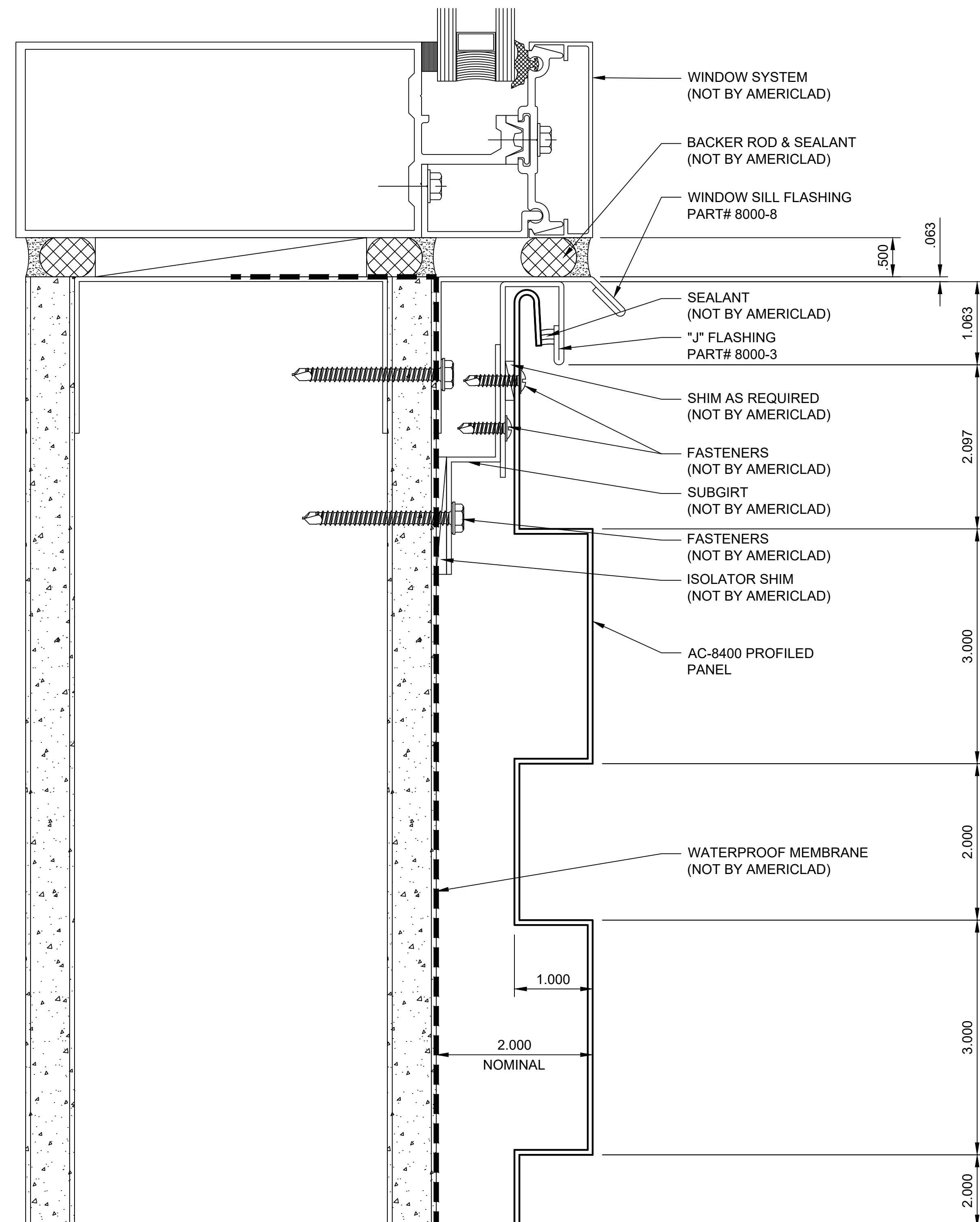
NOTE:
 LOAD BEARING WALL COMPONENTS OF EITHER: 16GA STEEL STUDS, STRUCTURAL MEMBERS, MINIMUM 3/4" PLYWOOD OR CONCRETE. GYPSUM BOARD AND CEMENT BOARD ARE NOT A STRUCTURAL COMPONENT.



WINDOW SILL DETAIL

DETAIL L

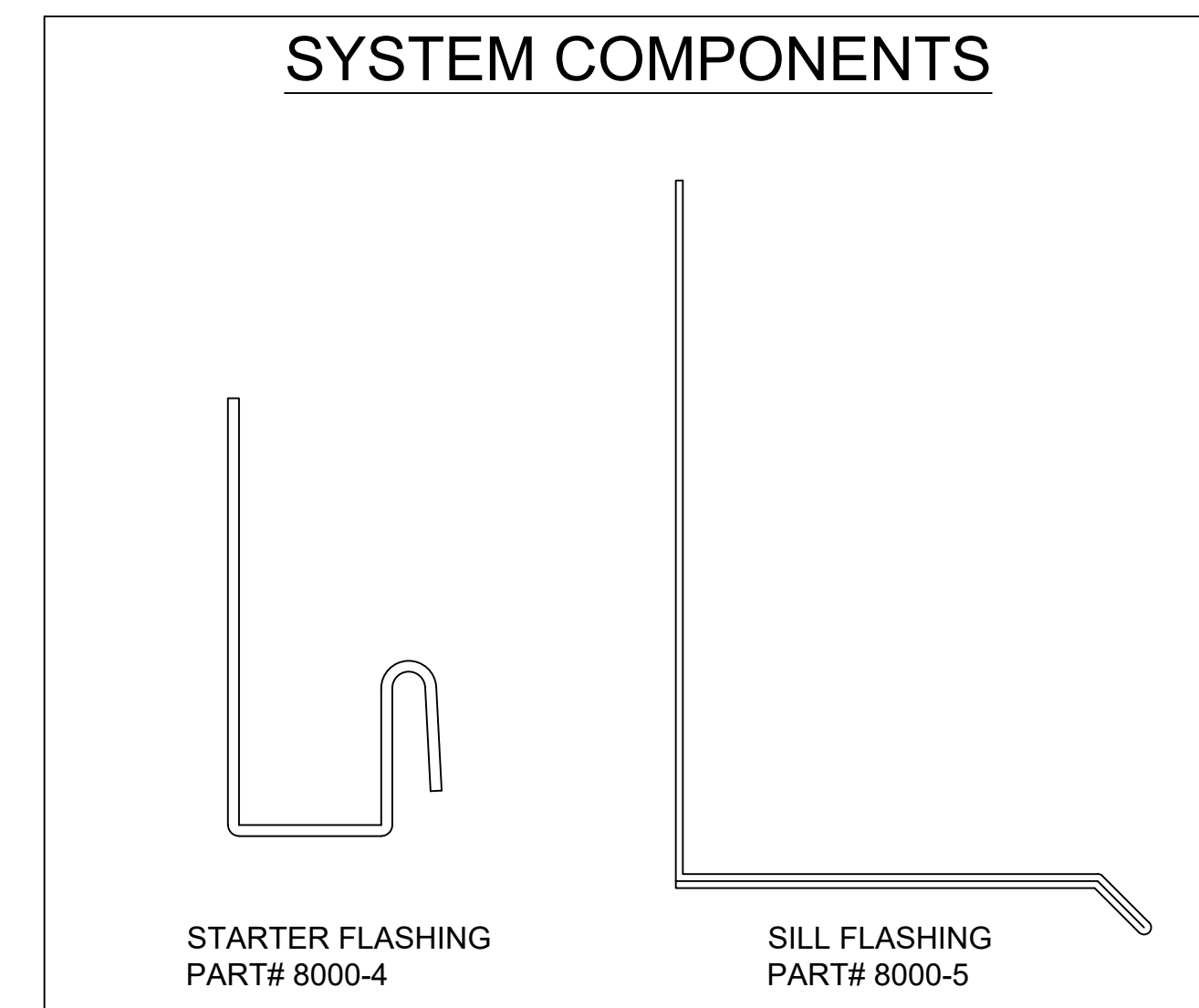
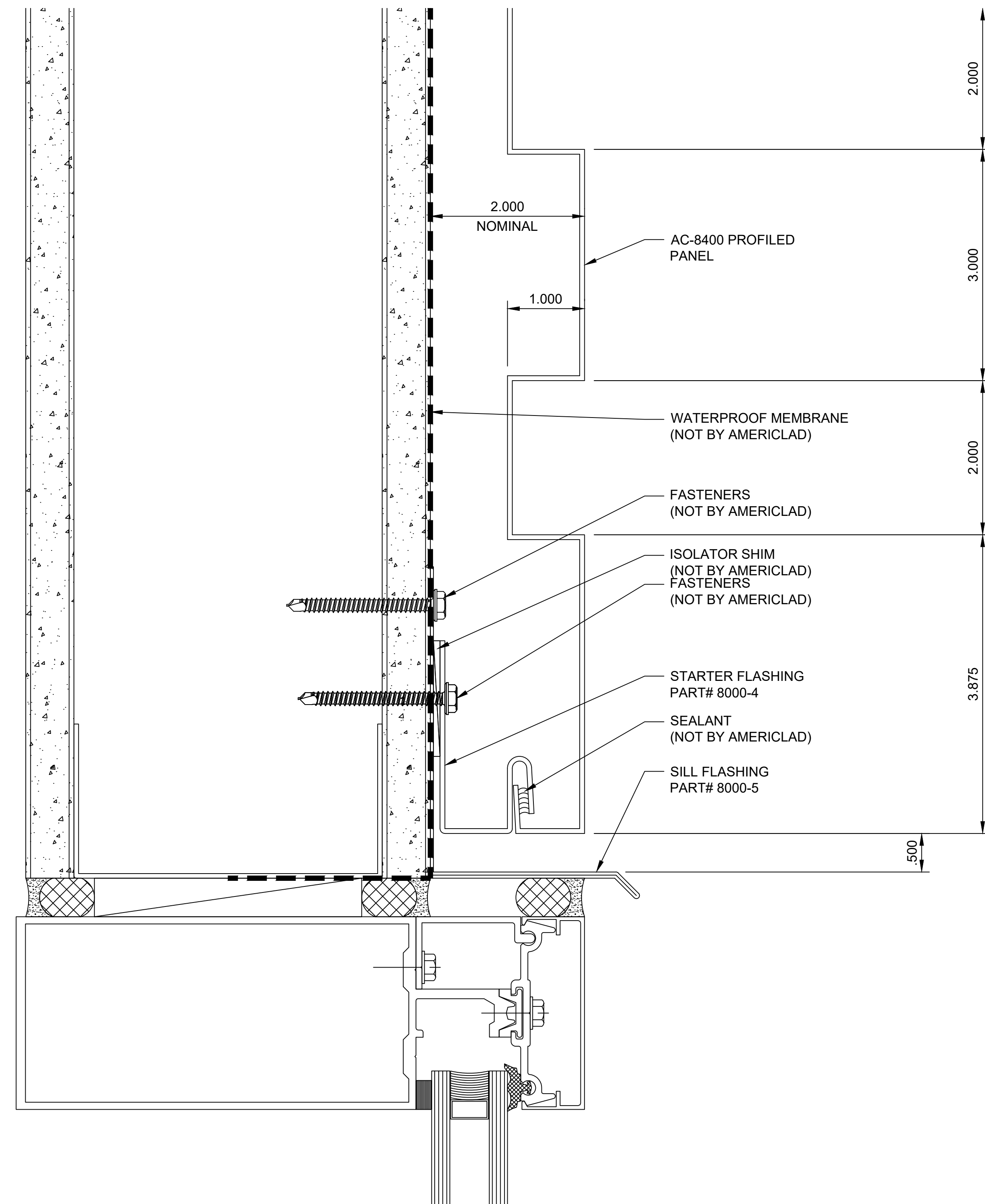
NOTE:
LOAD BEARING WALL COMPONENTS OF EITHER: 16GA STEEL STUDS, STRUCTURAL MEMBERS, MINIMUM 3/4" PLYWOOD OR CONCRETE. GYPSUM BOARD AND CEMENT BOARD ARE NOT A STRUCTURAL COMPONENT.



WINDOW HEAD DETAIL

DETAIL M

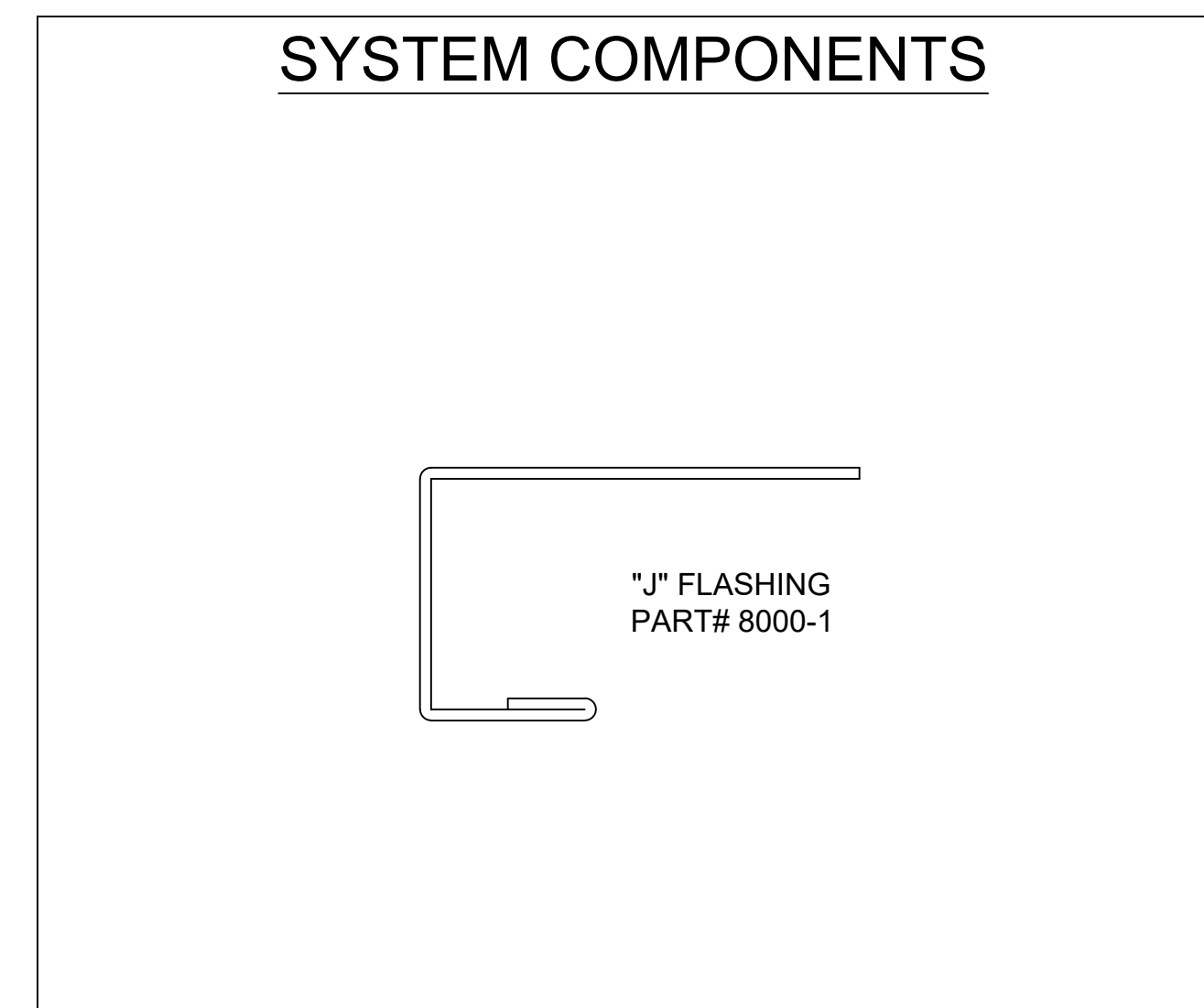
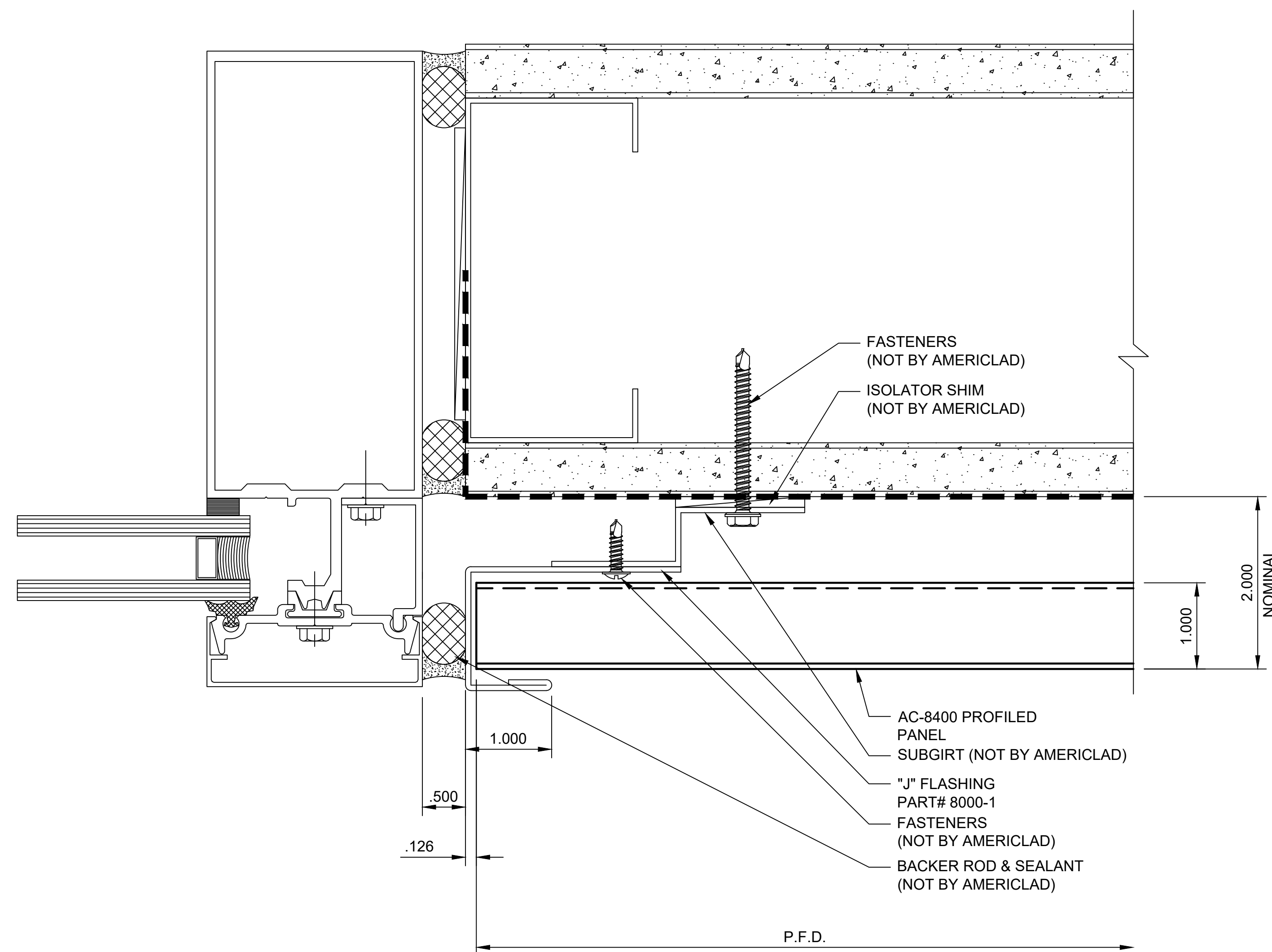
NOTE:
 LOAD BEARING WALL COMPONENTS OF EITHER: 16GA STEEL STUDS, STRUCTURAL MEMBERS, MINIMUM 3/4" PLYWOOD OR CONCRETE. GYPSUM BOARD AND CEMENT BOARD ARE NOT A STRUCTURAL COMPONENT.



WINDOW JAMB DETAIL

DETAIL N

NOTE:
 LOAD BEARING WALL COMPONENTS OF EITHER: 16GA STEEL STUDS, STRUCTURAL MEMBERS, MINIMUM 3/4" PLYWOOD OR CONCRETE. GYPSUM BOARD AND CEMENT BOARD ARE NOT A STRUCTURAL COMPONENT.

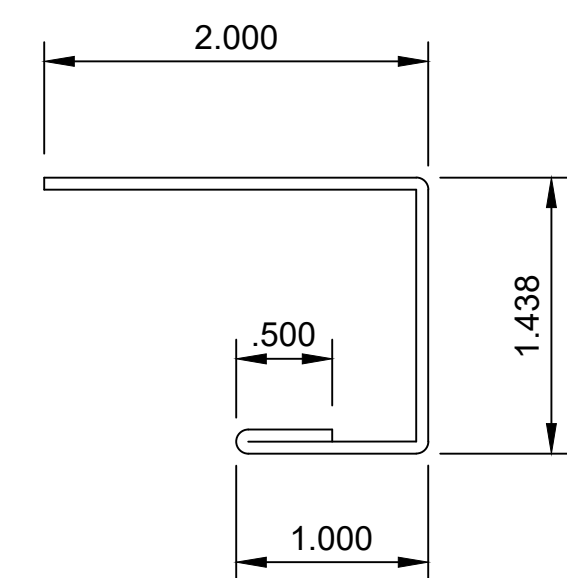


FLASHING PROFILES

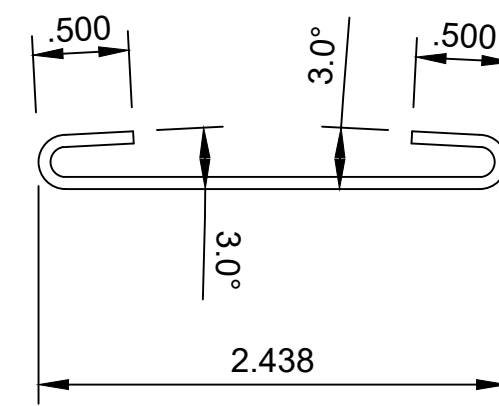
DETAIL O

NOTE:

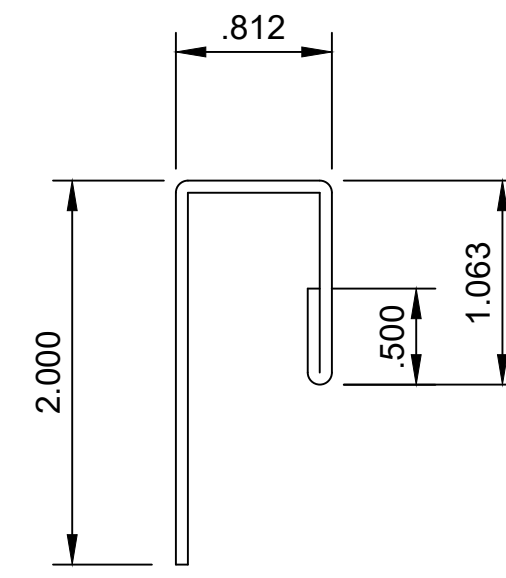
LOAD BEARING WALL COMPONENTS OF EITHER: 16GA STEEL STUDS, STRUCTURAL MEMBERS, MINIMUM 3/4" PLYWOOD OR CONCRETE. GYPSUM BOARD AND CEMENT BOARD ARE NOT A STRUCTURAL COMPONENT.



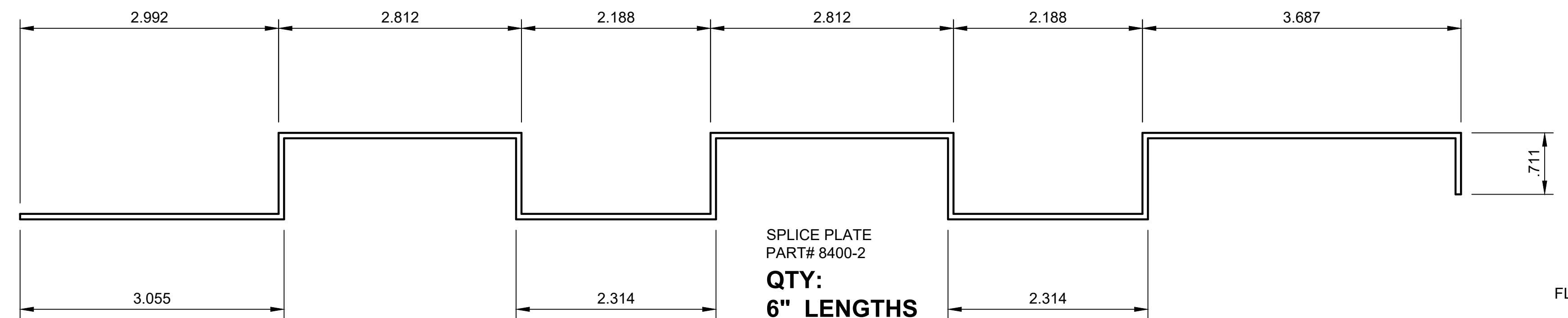
"J" FLASHING
PART# 8000-1
QTY:
10'-0" STOCK LENGTHS



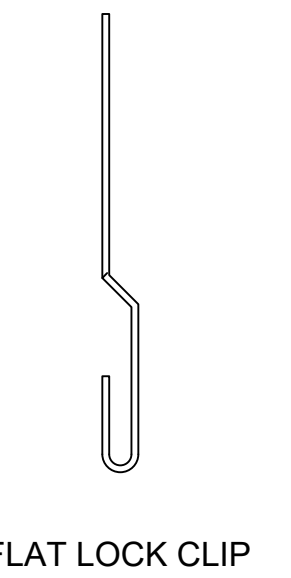
COVER FLASHING
PART# 8000-2
QTY:
10'-0" STOCK LENGTHS



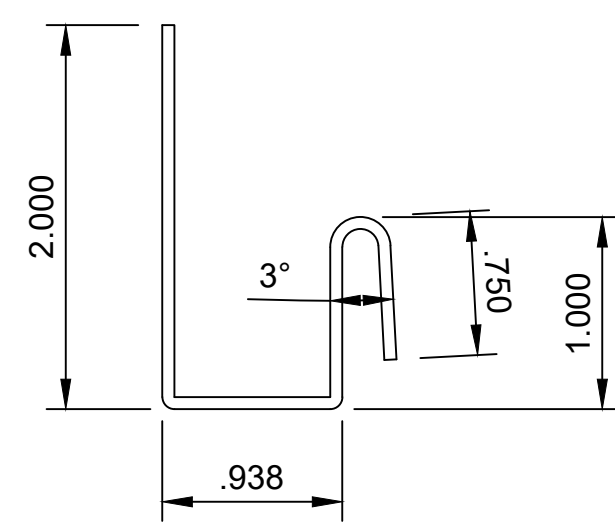
"J" FLASHING
PART# 8000-3
QTY:
10'-0" STOCK LENGTHS



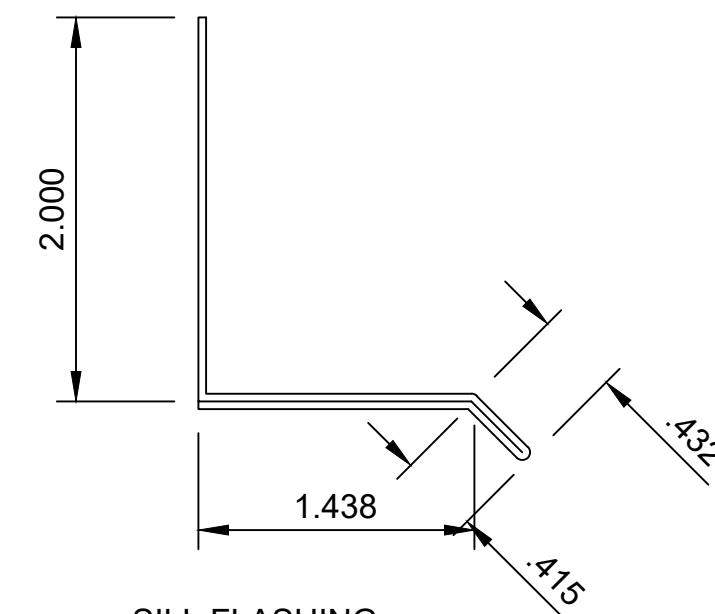
SPLICE PLATE
PART# 8400-2
QTY:
6" LENGTHS



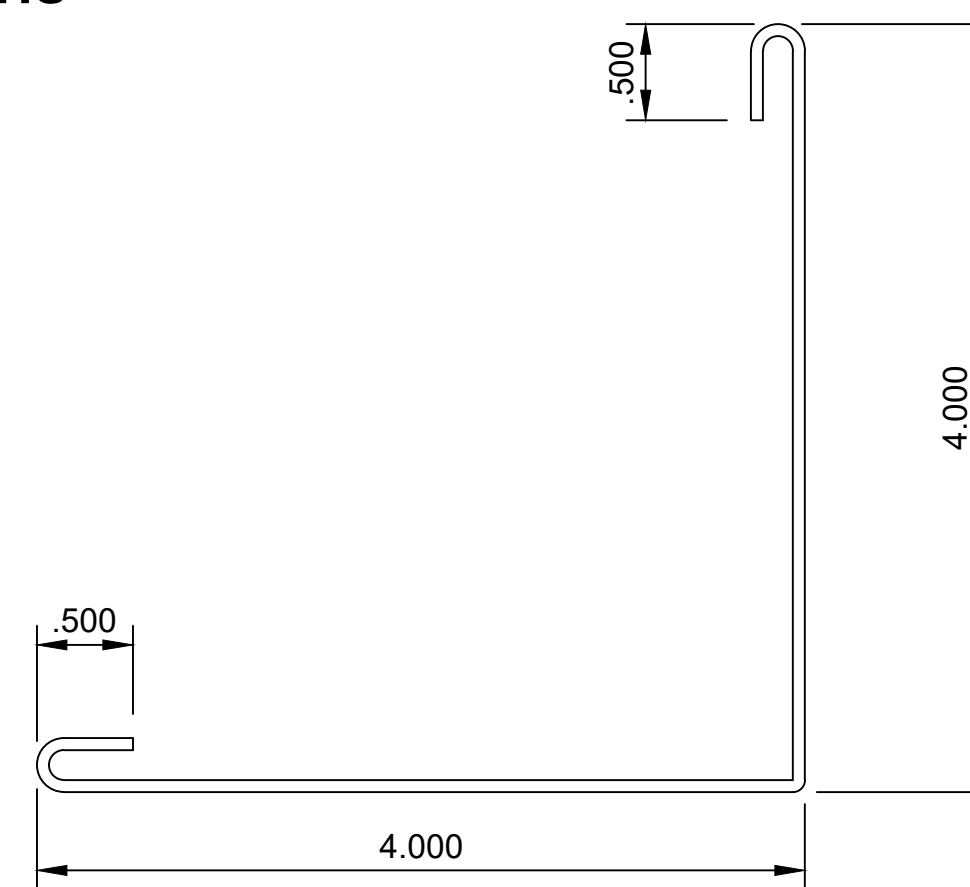
FLAT LOCK CLIP



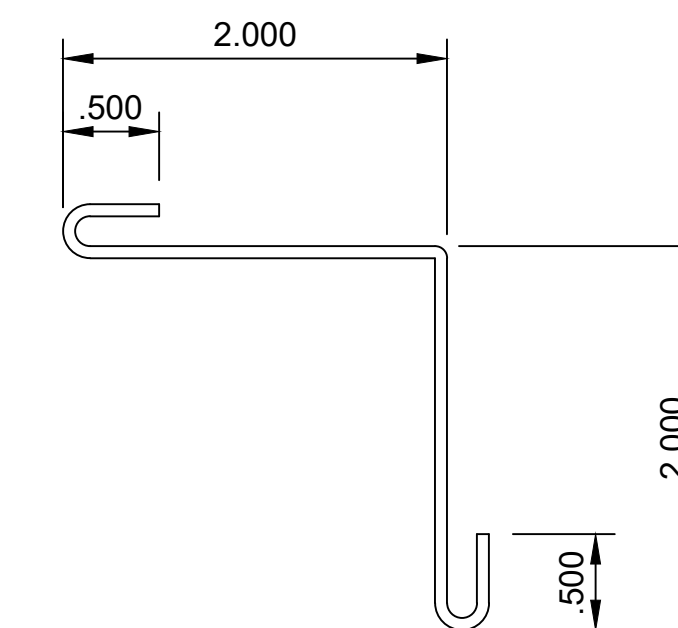
STARTER FLASHING
PART# 8000-4
QTY:
10'-0" STOCK LENGTHS



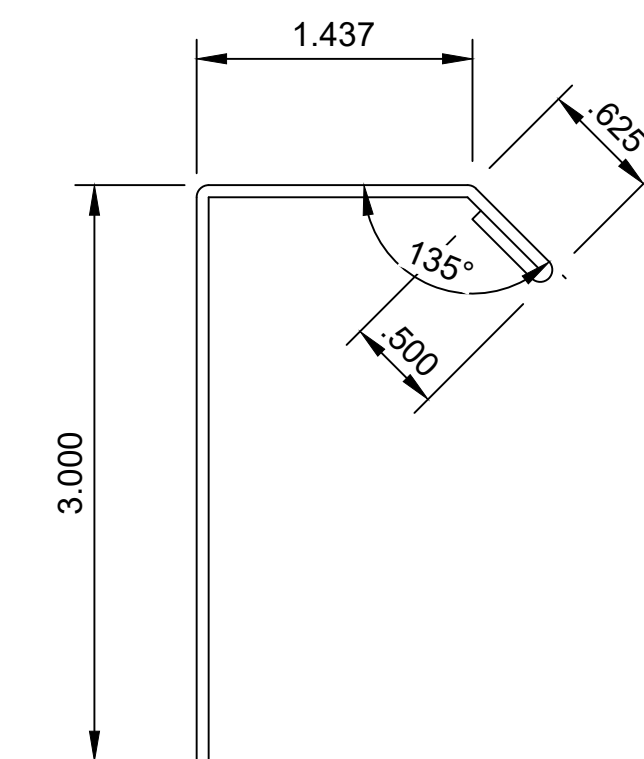
SILL FLASHING
PART# 8000-5
QTY:
10'-0" STOCK LENGTHS



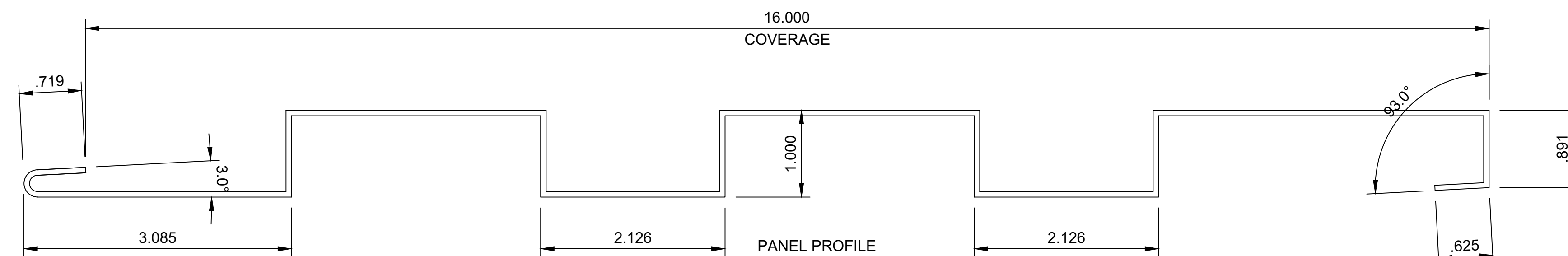
CORNER FLASHING
PART# 8000-6
QTY:
10'-0" STOCK LENGTHS



INSIDE CORNER
FLASHING
PART# 8000-7
QTY:
10'-0" STOCK LENGTHS



WINDOW SILL FLASHING
PART# 8000-8
QTY:
10'-0" STOCK LENGTHS



PANEL PROFILE
PART# 8400-1
QTY:
10'-0" STOCK LENGTHS